



# LPC178x/7x

32-bit ARM Cortex-M3 microcontroller; up to 512 kB flash and 96 kB SRAM; USB Device/Host/OTG; Ethernet; LCD; EMC

Rev. 5.3 — 16 October 2015

Product data sheet

## 1. General description

---

The LPC178x/7x is an ARM Cortex-M3 based microcontroller for embedded applications requiring a high level of integration and low power dissipation.

The ARM Cortex-M3 is a next generation core that offers better performance than the ARM7 at the same clock rate and other system enhancements such as modernized debug features and a higher level of support block integration. The ARM Cortex-M3 CPU incorporates a 3-stage pipeline and has a Harvard architecture with separate local instruction and data buses, as well as a third bus with slightly lower performance for peripherals. The ARM Cortex-M3 CPU also includes an internal prefetch unit that supports speculative branches.

The LPC178x/7x adds a specialized flash memory accelerator to accomplish optimal performance when executing code from flash. The LPC178x/7x operates at up to 120 MHz CPU frequency.

The peripheral complement of the LPC178x/7x includes up to 512 kB of flash program memory, up to 96 kB of SRAM data memory, up to 4032 byte of EEPROM data memory, External Memory Controller (EMC), LCD (LPC178x only), Ethernet, USB Device/Host/OTG, a General Purpose DMA controller, five UARTs, three SSP controllers, three I<sup>2</sup>C-bus interfaces, a Quadrature Encoder Interface, four general purpose timers, two general purpose PWMs with six outputs each and one motor control PWM, an ultra-low power RTC with separate battery supply and event recorder, a windowed watchdog timer, a CRC calculation engine, up to 165 general purpose I/O pins, and more.

The analog peripherals include one eight-channel 12-bit ADC and a 10-bit DAC.

The pinout of LPC178x/7x is intended to allow pin function compatibility with the LPC24xx and LPC23xx.

For additional documentation, see [Section 18 “References”](#).

## 2. Features and benefits

---

- Functional replacement for the LPC23xx and LPC24xx family devices.
- System:
  - ◆ ARM Cortex-M3 processor, running at frequencies of up to 120 MHz. A Memory Protection Unit (MPU) supporting eight regions is included.
  - ◆ ARM Cortex-M3 built-in Nested Vectored Interrupt Controller (NVIC).



- ◆ Multilayer AHB matrix interconnect provides a separate bus for each AHB master. AHB masters include the CPU, USB, Ethernet, and the General Purpose DMA controller. This interconnect provides communication with no arbitration delays unless two masters attempt to access the same slave at the same time.
- ◆ Split APB bus allows for higher throughput with fewer stalls between the CPU and DMA. A single level of write buffering allows the CPU to continue without waiting for completion of APB writes if the APB was not already busy.
- ◆ Cortex-M3 system tick timer, including an external clock input option.
- ◆ Standard JTAG test/debug interface as well as Serial Wire Debug and Serial WireTrace Port options.
- ◆ Embedded Trace Macrocell (ETM) module supports real-time trace.
- ◆ Boundary scan for simplified board testing.
- ◆ Non-maskable Interrupt (NMI) input.
- Memory:
  - ◆ Up to 512 kB on-chip flash program memory with In-System Programming (ISP) and In-Application Programming (IAP) capabilities. The combination of an enhanced flash memory accelerator and location of the flash memory on the CPU local code/data bus provides high code performance from flash.
  - ◆ Up to 96 kB on-chip SRAM includes:
    - 64 kB of main SRAM on the CPU with local code/data bus for high-performance CPU access.
    - Two 16 kB peripheral SRAM blocks with separate access paths for higher throughput. These SRAM blocks may be used for DMA memory as well as for general purpose instruction and data storage.
  - ◆ Up to 4032 byte on-chip EEPROM.
- LCD controller, supporting both Super-Twisted Nematic (STN) and Thin-Film Transistors (TFT) displays.
  - ◆ Dedicated DMA controller.
  - ◆ Selectable display resolution (up to 1024 × 768 pixels).
  - ◆ Supports up to 24-bit true-color mode.
- External Memory Controller (EMC) provides support for asynchronous static memory devices such as RAM, ROM and flash, as well as dynamic memories such as single data rate SDRAM with an SDRAM clock of up to 80 MHz.
- Eight channel General Purpose DMA controller (GPDMA) on the AHB multilayer matrix that can be used with the SSP, I2S, UART, CRC engine, Analog-to-Digital and Digital-to-Analog converter peripherals, timer match signals, GPIO, and for memory-to-memory transfers.
- Serial interfaces:
  - ◆ Ethernet MAC with MII/RMII interface and associated DMA controller. These functions reside on an independent AHB.
  - ◆ USB 2.0 full-speed dual-port device/host/OTG controller with on-chip PHY and associated DMA controller.
  - ◆ Five UARTs with fractional baud rate generation, internal FIFO, DMA support, and RS-485/EIA-485 support. One UART (UART1) has full modem control I/O, and one UART (USART4) supports IrDA, synchronous mode, and a smart card mode conforming to ISO7816-3.
  - ◆ Three SSP controllers with FIFO and multi-protocol capabilities. The SSP controllers can be used with the GPDMA.

- ◆ Three enhanced I<sup>2</sup>C-bus interfaces, one with a true open-drain output supporting the full I<sup>2</sup>C-bus specification and Fast-mode Plus with data rates of 1 Mbit/s, two with standard port pins. Enhancements include multiple address recognition and monitor mode.
- ◆ I<sup>2</sup>S-bus (Inter-IC Sound) interface for digital audio input or output. It can be used with the GPDMA.
- ◆ CAN controller with two channels.
- Digital peripherals:
  - ◆ SD/MMC memory card interface.
  - ◆ Up to 165 General Purpose I/O (GPIO) pins depending on the packaging with configurable pull-up/down resistors, open-drain mode, and repeater mode. All GPIOs are located on an AHB bus for fast access and support Cortex-M3 bit-banding. GPIOs can be accessed by the General Purpose DMA Controller. Any pin of ports 0 and 2 can be used to generate an interrupt.
  - ◆ Two external interrupt inputs configurable as edge/level sensitive. All pins on port 0 and port 2 can be used as edge sensitive interrupt sources.
  - ◆ Four general purpose timers/counters with a total of eight capture inputs and ten compare outputs. Each timer block has an external count input. Specific timer events can be selected to generate DMA requests.
  - ◆ Quadrature encoder interface that can monitor one external quadrature encoder.
  - ◆ Two standard PWM/timer blocks with external count input option.
  - ◆ One motor control PWM with support for three-phase motor control.
  - ◆ Real-Time Clock (RTC) with a separate power domain. The RTC is clocked by a dedicated RTC oscillator. The RTC block includes 20 bytes of battery-powered backup registers, allowing system status to be stored when the rest of the chip is powered off. Battery power can be supplied from a standard 3 V lithium button cell. The RTC will continue working when the battery voltage drops to as low as 2.1 V. An RTC interrupt can wake up the CPU from any reduced power mode.
  - ◆ Event Recorder that can capture the clock value when an event occurs on any of three inputs. The event identification and the time it occurred are stored in registers. The Event Recorder is located in the RTC power domain and can therefore operate as long as there is RTC power.
  - ◆ Windowed Watchdog Timer (WWDG). Windowed operation, dedicated internal oscillator, watchdog warning interrupt, and safety features.
  - ◆ CRC Engine block can calculate a CRC on supplied data using one of three standard polynomials. The CRC engine can be used in conjunction with the DMA controller to generate a CRC without CPU involvement in the data transfer.
- Analog peripherals:
  - ◆ 12-bit Analog-to-Digital Converter (ADC) with input multiplexing among eight pins, conversion rates up to 400 kHz, and multiple result registers. The 12-bit ADC can be used with the GPDMA controller.
  - ◆ 10-bit Digital-to-Analog Converter (DAC) with dedicated conversion timer and GPDMA support.
- Power control:
  - ◆ Four reduced power modes: Sleep, Deep-sleep, Power-down, and Deep power-down.

- ◆ The Wake-up Interrupt Controller (WIC) allows the CPU to automatically wake up from any priority interrupt that can occur while the clocks are stopped in Deep-sleep, Power-down, and Deep power-down modes.
- ◆ Processor wake-up from Power-down mode via any interrupt able to operate during Power-down mode (includes external interrupts, RTC interrupt, PORT0/2 pin interrupt, and NMI).
- ◆ Brownout detect with separate threshold for interrupt and forced reset.
- ◆ On-chip Power-On Reset (POR).
- Clock generation:
  - ◆ Clock output function that can reflect the main oscillator clock, IRC clock, RTC clock, CPU clock, USB clock, or the watchdog timer clock.
  - ◆ On-chip crystal oscillator with an operating range of 1 MHz to 25 MHz.
  - ◆ 12 MHz Internal RC oscillator (IRC) trimmed to 1% accuracy that can optionally be used as a system clock.
  - ◆ An on-chip PLL allows CPU operation up to the maximum CPU rate without the need for a high-frequency crystal. May be run from the main oscillator or the internal RC oscillator.
  - ◆ A second, dedicated PLL may be used for USB interface in order to allow added flexibility for the Main PLL settings.
- Versatile pin function selection feature allows many possibilities for using on-chip peripheral functions.
- Unique device serial number for identification purposes.
- Single 3.3 V power supply (2.4 V to 3.6 V). Temperature range of  $-40\text{ }^{\circ}\text{C}$  to  $85\text{ }^{\circ}\text{C}$ .
- Available as LQFP208, TFBGA208, TFBGA180, and LQFP144 package.

### 3. Applications

- Communications:
  - ◆ Point-of-sale terminals, web servers, multi-protocol bridges
- Industrial/Medical:
  - ◆ Automation controllers, application control, robotics control, HVAC, PLC, inverters, circuit breakers, medical scanning, security monitoring, motor drive, video intercom
- Consumer/Appliance:
  - ◆ Audio, MP3 decoders, alarm systems, displays, printers, scanners, small appliances, fitness equipment
- Automotive:
  - ◆ After-market, car alarms, GPS/fleet monitors

## 4. Ordering information

Table 1. Ordering information

Type number	Package		Version
	Name	Description	
<b>LPC1788</b>			
LPC1788FBD208	LQFP208	plastic low profile quad flat package; 208 leads; body 28 × 28 × 1.4 mm	SOT459-1
LPC1788FET208	TFBGA208	plastic thin fine-pitch ball grid array package; 208 balls; body 15 ´ 15 ´ 0.7 mm	SOT950-1
LPC1788FET180	TFBGA180	thin fine-pitch ball grid array package; 180 balls; body 12 ´ 12 ´ 0.8 mm	SOT570-3
LPC1788FBD144	LQFP144	plastic low profile quad flat package; 144 leads; body 20 × 20 × 1.4 mm	SOT486-1
<b>LPC1787</b>			
LPC1787FBD208	LQFP208	plastic low profile quad flat package; 208 leads; body 28 × 28 × 1.4 mm	SOT459-1
<b>LPC1786</b>			
LPC1786FBD208	LQFP208	plastic low profile quad flat package; 208 leads; body 28 × 28 × 1.4 mm	SOT459-1
<b>LPC1785</b>			
LPC1785FBD208	LQFP208	plastic low profile quad flat package; 208 leads; body 28 × 28 × 1.4 mm	SOT459-1
<b>LPC1778</b>			
LPC1778FBD208	LQFP208	plastic low profile quad flat package; 208 leads; body 28 × 28 × 1.4 mm	SOT459-1
LPC1778FET208	TFBGA208	plastic thin fine-pitch ball grid array package; 208 balls; body 15 ´ 15 ´ 0.7 mm	SOT950-1
LPC1778FET180	TFBGA180	thin fine-pitch ball grid array package; 180 balls; body 12 ´ 12 ´ 0.8 mm	SOT570-3
LPC1778FBD144	LQFP144	plastic low profile quad flat package; 144 leads; body 20 × 20 × 1.4 mm	SOT486-1
<b>LPC1777</b>			
LPC1777FBD208	LQFP208	plastic low profile quad flat package; 208 leads; body 28 × 28 × 1.4 mm	SOT459-1
<b>LPC1776</b>			
LPC1776FBD208	LQFP208	plastic low profile quad flat package; 208 leads; body 28 × 28 × 1.4 mm	SOT459-1
LPC1776FET180	TFBGA180	thin fine-pitch ball grid array package; 180 balls; body 12 ´ 12 ´ 0.8 mm	SOT570-3
<b>LPC1774</b>			
LPC1774FBD208	LQFP208	plastic low profile quad flat package; 208 leads; body 28 × 28 × 1.4 mm	SOT459-1
LPC1774FBD144	LQFP144	plastic low profile quad flat package; 144 leads; body 20 × 20 × 1.4 mm	SOT486-1

**Table 2. LPC178x/7x ordering options**

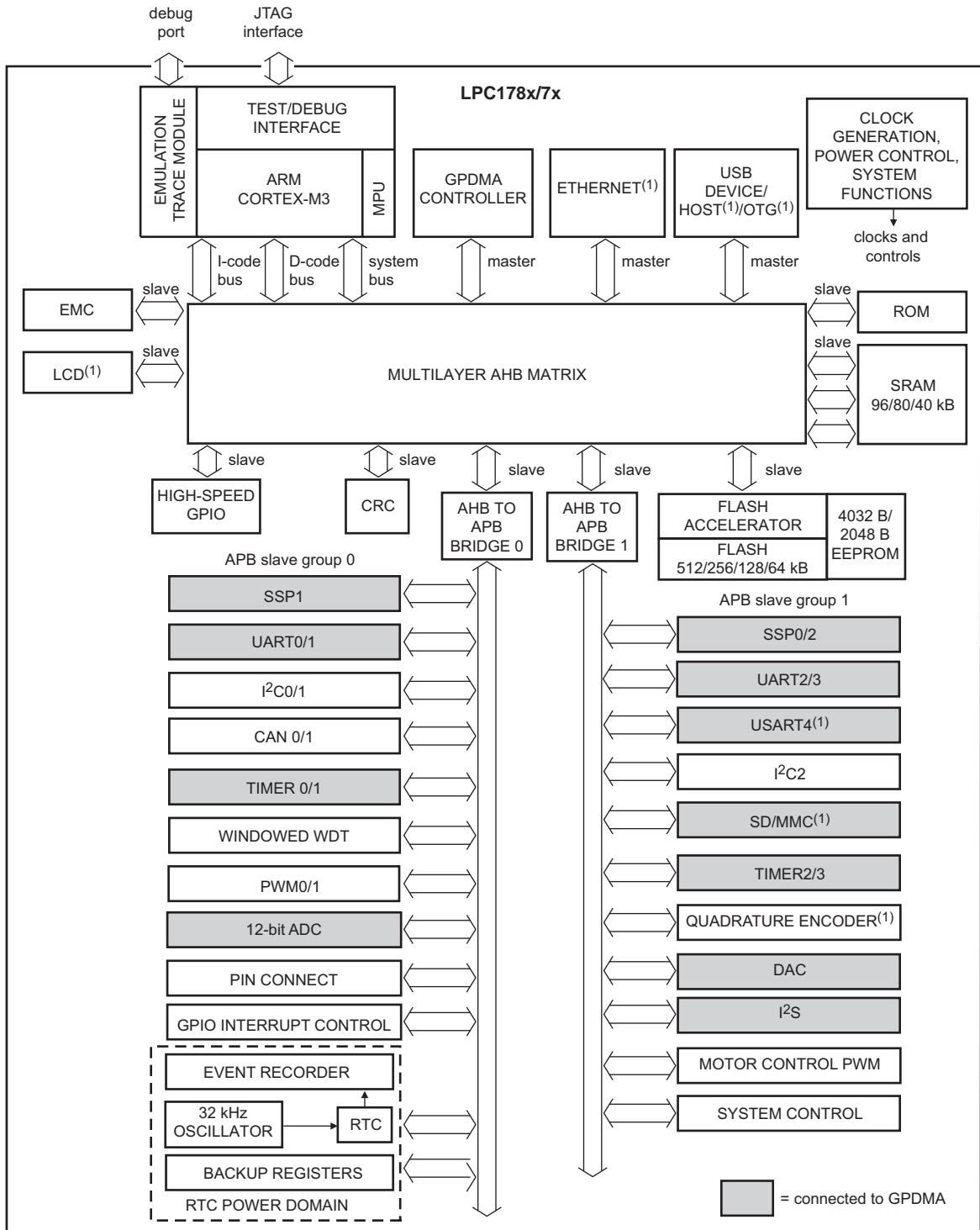
All parts include two CAN channels, three SSP interfaces, three I<sup>2</sup>C interfaces, one I<sup>2</sup>S interface, DAC, and an 8-channel 12-bit ADC.

Type number	Device order part number	Flash (kB)	Main SRAM (kB)	Peripheral SRAM (kB)	Total SRAM (kB)	EEPROM (byte)	Ethernet	USB	UART	EMC bus width (bit) [1]	GPIO	LCD	QEI	SD/MMC
<b>LPC178x</b>														
LPC1788FBD208	LPC1788FBD208/CP3E	512	64	16 × 2	96	4032	Y	H/O/D	5	32	165	Y	Y	Y
LPC1788FET208	LPC1788FET208,551	512	64	16 × 2	96	4032	Y	H/O/D	5	32	165	Y	Y	Y
LPC1788FET180	LPC1788FET180,551	512	64	16 × 2	96	4032	Y	H/O/D	5	16	141	Y	Y	Y
LPC1788FBD144	LPC1788FBD144,551	512	64	16 × 2	96	4032	Y	H/O/D	5	8	109	Y	Y	Y
LPC1787FBD208	LPC1787FBD208,551	512	64	16 × 2	96	4032	N	H/O/D	5	32	165	Y	Y	Y
LPC1786FBD208	LPC1786FBD208,551	256	64	16	80	4032	Y	H/O/D	5	32	165	Y	Y	Y
LPC1785FBD208	LPC1785FBD208K	256	64	16	80	4032	N	H/O/D	5	32	165	Y	N	Y
<b>LPC177x</b>														
LPC1778FBD208	LPC1778FBD208,551	512	64	16 × 2	96	4032	Y	H/O/D	5	32	165	N	Y	Y
LPC1778FET208	LPC1778FET208,551	512	64	16 × 2	96	4032	Y	H/O/D	5	32	165	N	Y	Y
LPC1778FET180	LPC1778FET180,551	512	64	16 × 2	96	4032	Y	H/O/D	5	16	141	N	Y	Y
LPC1778FBD144	LPC1778FBD144,551	512	64	16 × 2	96	4032	Y	H/O/D	5	8	109	N	Y	Y
LPC1777FBD208	LPC1777FBD208,551	512	64	16 × 2	96	4032	N	H/O/D	5	32	165	N	Y	Y
LPC1776FBD208	LPC1776FBD208,551	256	64	16	80	4032	Y	H/O/D	5	32	165	N	Y	Y
LPC1776FET180	LPC1776FET180,551	256	64	16	80	4032	Y	H/O/D	5	16	141	N	Y	Y
LPC1774FBD208	LPC1774FBD208,551	128	32	8	40	2048	N	D	5	32	165	N	N	N
LPC1774FBD144	LPC1774FBD144,551	128	32	8	40	2048	N	D	4[2]	8	109	N	N	N

[1] Maximum data bus width of the External Memory Controller (EMC) depends on package size. Smaller widths may be used.

[2] USART4 not available.

5. Block diagram



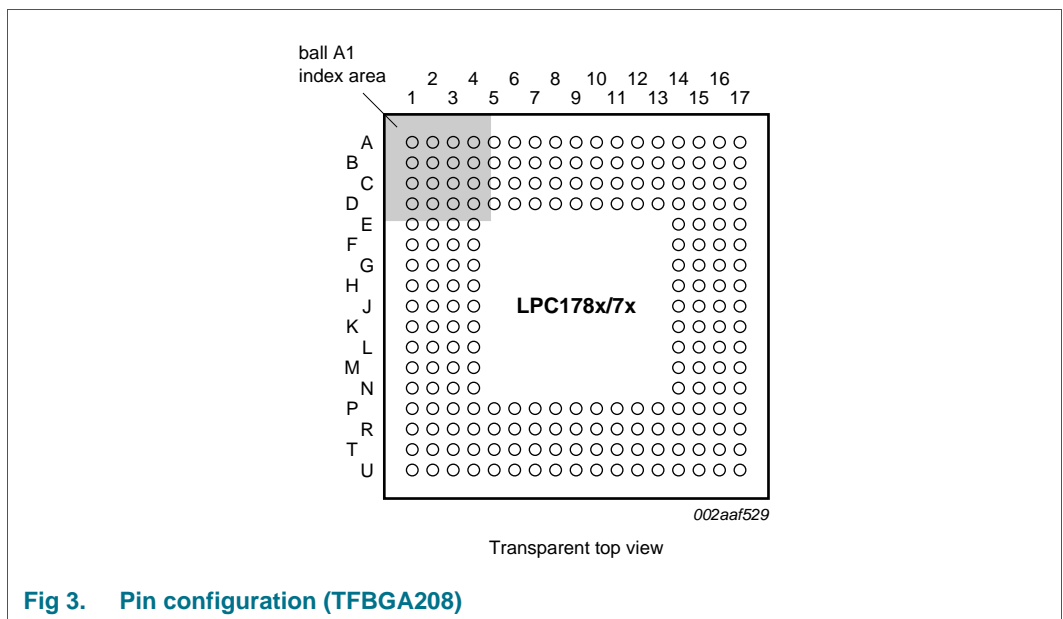
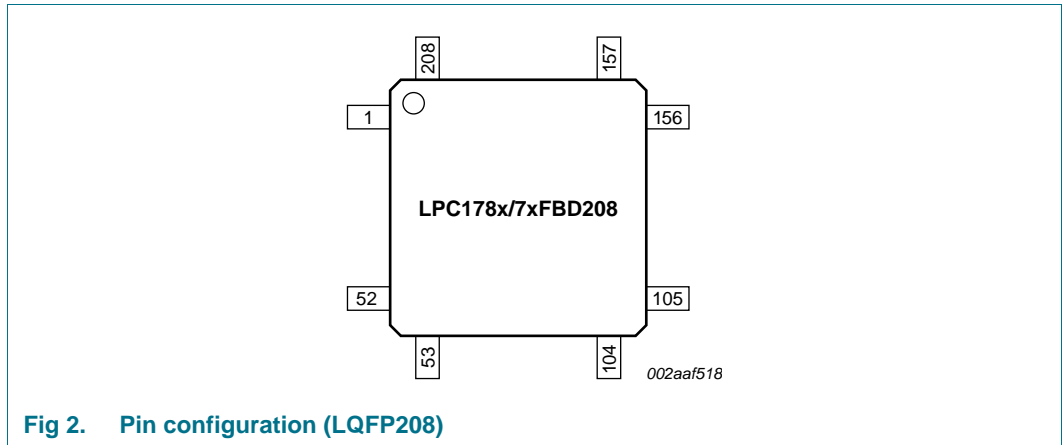
002aaf528

(1) Not available on all parts. See [Table 2](#).

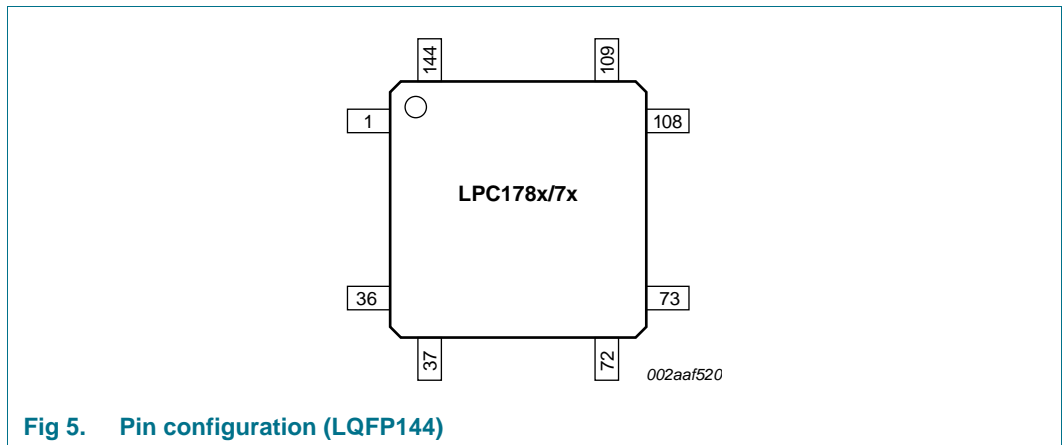
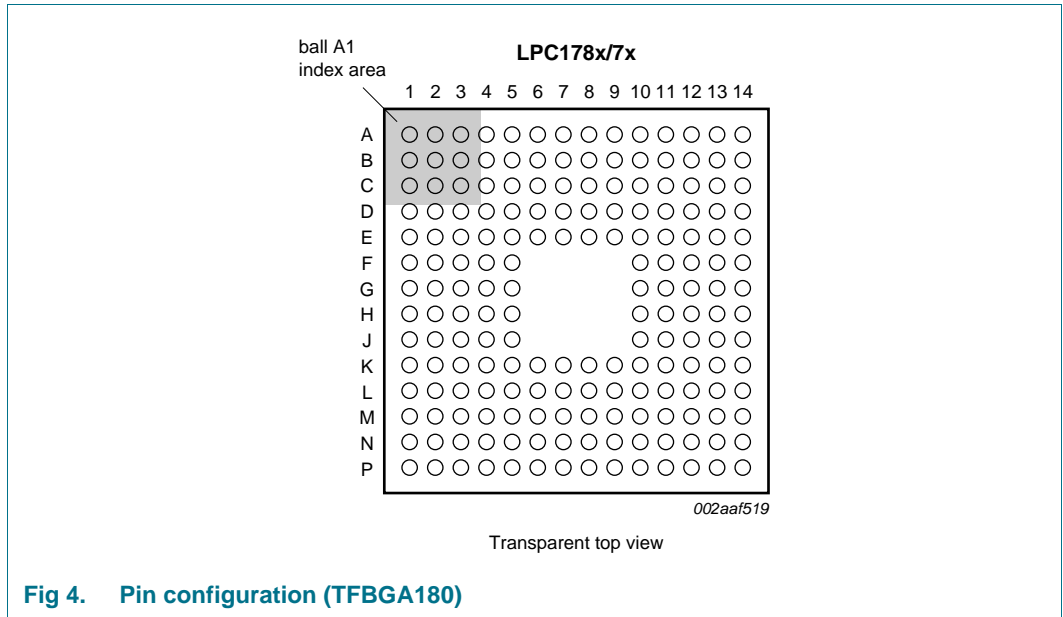
Fig 1. Block diagram

## 6. Pinning information

### 6.1 Pinning







### 6.2 Pin description

I/O pins on the LPC178x/7x are 5 V tolerant and have input hysteresis unless otherwise indicated in the table below. Crystal pins, power pins, and reference voltage pins are not 5 V tolerant. In addition, when pins are selected to be ADC inputs, they are no longer 5 V tolerant and the input voltage must be limited to the voltage at the ADC positive reference pin (VREFP).

All port pins Pn[m] are multiplexed, and the multiplexed functions appear in [Table 3](#) in the order defined by the FUNC bits of the corresponding IOCON register up to the highest used function number. Each port pin can support up to eight multiplexed functions. IOCON register FUNC values which are reserved are noted as 'R' in the pin configuration table.

**Table 3. Pin description**

Not all functions are available on all parts. See [Table 2](#) (Ethernet, USB, LCD, QEI, SD/MMC, DAC pins) and [Table 7](#) (EMC pins).

Symbol	Pin LQFP208	Ball TFBGA208	Ball TFBGA180	Pin LQFP144		Reset state <sup>[1]</sup>	Type <sup>[2]</sup>	Description
<b>P0[0] to P0[31]</b>							I/O	<b>Port 0:</b> Port 0 is a 32-bit I/O port with individual direction controls for each bit. The operation of port 0 pins depends upon the pin function selected via the pin connect block.
P0[0]	94	U15	M10	66	<a href="#">[3]</a>	I; PU	I/O	<b>P0[0]</b> — General purpose digital input/output pin.
							I	<b>CAN_RD1</b> — CAN1 receiver input.
							O	<b>U3_TXD</b> — Transmitter output for UART3.
							I/O	<b>I2C1_SDA</b> — I <sup>2</sup> C1 data input/output (this pin does not use a specialized I2C pad).
P0[1]	96	T14	N11	67	<a href="#">[3]</a>	I; PU	I/O	<b>P0[1]</b> — General purpose digital input/output pin.
							O	<b>CAN_TD1</b> — CAN1 transmitter output.
							I	<b>U3_RXD</b> — Receiver input for UART3.
							I/O	<b>I2C1_SCL</b> — I <sup>2</sup> C1 clock input/output (this pin does not use a specialized I2C pad).
P0[2]	202	C4	D5	141	<a href="#">[3]</a>	I; PU	I/O	<b>P0[2]</b> — General purpose digital input/output pin.
							O	<b>U0_TXD</b> — Transmitter output for UART0.
							O	<b>U3_TXD</b> — Transmitter output for UART3.
P0[3]	204	D6	A3	142	<a href="#">[3]</a>	I; PU	I/O	<b>P0[3]</b> — General purpose digital input/output pin.
							I	<b>U0_RXD</b> — Receiver input for UART0.
							I	<b>U3_RXD</b> — Receiver input for UART3.
P0[4]	168	B12	A11	116	<a href="#">[3]</a>	I; PU	I/O	<b>P0[4]</b> — General purpose digital input/output pin.
							I/O	<b>I2S_RX_SCK</b> — I <sup>2</sup> S Receive clock. It is driven by the master and received by the slave. Corresponds to the signal SCK in the <i>I<sup>2</sup>S-bus specification</i> .
							I	<b>CAN_RD2</b> — CAN2 receiver input.
							I	<b>T2_CAP0</b> — Capture input for Timer 2, channel 0.
							-	<b>R</b> — Function reserved.
							-	<b>R</b> — Function reserved.
							-	<b>R</b> — Function reserved.
O	<b>LCD_VD[0]</b> — LCD data.							

**Table 3. Pin description ...continued**

Not all functions are available on all parts. See [Table 2](#) (Ethernet, USB, LCD, QEI, SD/MMC, DAC pins) and [Table 7](#) (EMC pins).

Symbol	Pin LQFP208	Ball TFBGA208	Ball TFBGA180	Pin LQFP144		Reset state <sup>[1]</sup>	Type <sup>[2]</sup>	Description
P0[5]	166	C12	B11	115	<a href="#">[3]</a>	I; PU	I/O	<b>P0[5]</b> — General purpose digital input/output pin.
							I/O	<b>I2S_RX_WS</b> — I <sup>2</sup> S Receive word select. It is driven by the master and received by the slave. Corresponds to the signal WS in the <i>I<sup>2</sup>S-bus specification</i> .
							O	<b>CAN_TD2</b> — CAN2 transmitter output.
							I	<b>T2_CAP1</b> — Capture input for Timer 2, channel 1.
							-	<b>R</b> — Function reserved.
							-	<b>R</b> — Function reserved.
							O	<b>LCD_VD[1]</b> — LCD data.
P0[6]	164	D13	D11	113	<a href="#">[3]</a>	I; PU	I/O	<b>P0[6]</b> — General purpose digital input/output pin.
							I/O	<b>I2S_RX_SDA</b> — I <sup>2</sup> S Receive data. It is driven by the transmitter and read by the receiver. Corresponds to the signal SD in the <i>I<sup>2</sup>S-bus specification</i> .
							I/O	<b>SSP1_SSEL</b> — Slave Select for SSP1.
							O	<b>T2_MAT0</b> — Match output for Timer 2, channel 0.
							O	<b>U1_RTS</b> — Request to Send output for UART1. Can also be configured to be an RS-485/EIA-485 output enable signal for UART1.
							-	<b>R</b> — Function reserved.
							O	<b>LCD_VD[8]</b> — LCD data.
P0[7]	162	C13	B12	112	<a href="#">[4]</a>	I; IA	I/O	<b>P0[7]</b> — General purpose digital input/output pin.
							I/O	<b>I2S_TX_SCK</b> — I <sup>2</sup> S transmit clock. It is driven by the master and received by the slave. Corresponds to the signal SCK in the <i>I<sup>2</sup>S-bus specification</i> .
							I/O	<b>SSP1_SCK</b> — Serial Clock for SSP1.
							O	<b>T2_MAT1</b> — Match output for Timer 2, channel 1.
							I	<b>RTC_EV0</b> — Event input 0 to Event Monitor/Recorder.
							-	<b>R</b> — Function reserved.
							O	<b>LCD_VD[9]</b> — LCD data.

**Table 3. Pin description ...continued**

Not all functions are available on all parts. See [Table 2](#) (Ethernet, USB, LCD, QEI, SD/MMC, DAC pins) and [Table 7](#) (EMC pins).

Symbol	Pin LQFP208	Ball TFBGA208	Ball TFBGA180	Pin LQFP144		Reset state <sup>[1]</sup>	Type <sup>[2]</sup>	Description
P0[8]	160	A15	C12	111	<a href="#">[4]</a>	I; IA	I/O	<b>P0[8]</b> — General purpose digital input/output pin.
							I/O	<b>I2S_TX_WS</b> — I <sup>2</sup> S Transmit word select. It is driven by the master and received by the slave. Corresponds to the signal WS in the I <sup>2</sup> S-bus specification.
							I/O	<b>SSP1_MISO</b> — Master In Slave Out for SSP1.
							O	<b>T2_MAT2</b> — Match output for Timer 2, channel 2.
							I	<b>RTC_EV1</b> — Event input 1 to Event Monitor/Recorder.
							-	<b>R</b> — Function reserved.
							-	<b>R</b> — Function reserved.
							O	<b>LCD_VD[16]</b> — LCD data.
P0[9]	158	C14	A13	109	<a href="#">[4]</a>	I; IA	I/O	<b>P0[9]</b> — General purpose digital input/output pin.
							I/O	<b>I2S_TX_SDA</b> — I <sup>2</sup> S transmit data. It is driven by the transmitter and read by the receiver. Corresponds to the signal SD in the I <sup>2</sup> S-bus specification.
							I/O	<b>SSP1_MOSI</b> — Master Out Slave In for SSP1.
							O	<b>T2_MAT3</b> — Match output for Timer 2, channel 3.
							I	<b>RTC_EV2</b> — Event input 2 to Event Monitor/Recorder.
							-	<b>R</b> — Function reserved.
							-	<b>R</b> — Function reserved.
							O	<b>LCD_VD[17]</b> — LCD data.
P0[10]	98	T15	L10	69	<a href="#">[3]</a>	I; PU	I/O	<b>P0[10]</b> — General purpose digital input/output pin.
							O	<b>U2_TXD</b> — Transmitter output for UART2.
							I/O	<b>I2C2_SDA</b> — I <sup>2</sup> C2 data input/output (this pin does not use a specialized I2C pad).
							O	<b>T3_MAT0</b> — Match output for Timer 3, channel 0.
P0[11]	100	R14	P12	70	<a href="#">[3]</a>	I; PU	I/O	<b>P0[11]</b> — General purpose digital input/output pin.
							I	<b>U2_RXD</b> — Receiver input for UART2.
							I/O	<b>I2C2_SCL</b> — I <sup>2</sup> C2 clock input/output (this pin does not use a specialized I2C pad).
							O	<b>T3_MAT1</b> — Match output for Timer 3, channel 1.
P0[12]	41	R1	J4	29	<a href="#">[5]</a>	I; PU	I/O	<b>P0[12]</b> — General purpose digital input/output pin.
							O	<b>USB_PPWR2</b> — Port Power enable signal for USB port 2.
							I/O	<b>SSP1_MISO</b> — Master In Slave Out for SSP1.
							I	<b>ADC0_IN[6]</b> — A/D converter 0, input 6. When configured as an ADC input, the digital function of the pin must be disabled.

**Table 3. Pin description ...continued**

Not all functions are available on all parts. See [Table 2](#) (Ethernet, USB, LCD, QEI, SD/MMC, DAC pins) and [Table 7](#) (EMC pins).

Symbol	Pin LQFP208	Ball TFBGA208	Ball TFBGA180	Pin LQFP144		Reset state <sup>[1]</sup>	Type <sup>[2]</sup>	Description
P0[13]	45	R2	J5	32	[5]	I; PU	I/O	<b>P0[13]</b> — General purpose digital input/output pin.
							O	<b>USB_UP_LED2</b> — USB port 2 GoodLink LED indicator. It is LOW when the device is configured (non-control endpoints enabled), or when the host is enabled and has detected a device on the bus. It is HIGH when the device is not configured, or when host is enabled and has not detected a device on the bus, or during global suspend. It transitions between LOW and HIGH (flashes) when the host is enabled and detects activity on the bus.
							I/O	<b>SSP1_MOSI</b> — Master Out Slave In for SSP1.
P0[14]	69	T7	M5	48	[3]	I; PU	I	<b>ADC0_IN[7]</b> — A/D converter 0, input 7. When configured as an ADC input, the digital function of the pin must be disabled.
							I/O	<b>P0[14]</b> — General purpose digital input/output pin.
							O	<b>USB_HSTEN2</b> — Host Enabled status for USB port 2.
P0[15]	128	J16	H13	89	[3]	I; PU	I/O	<b>SSP1_SSEL</b> — Slave Select for SSP1.
							O	<b>USB_CONNECT2</b> — SoftConnect control for USB port 2. Signal used to switch an external 1.5 kΩ resistor under software control. Used with the SoftConnect USB feature.
							I/O	<b>P0[15]</b> — General purpose digital input/output pin.
P0[16]	130	J14	H14	90	[3]	I; PU	O	<b>U1_TXD</b> — Transmitter output for UART1.
							I	<b>SSP0_SCK</b> — Serial clock for SSP0.
							I/O	<b>P0[16]</b> — General purpose digital input/output pin.
P0[17]	126	K17	J12	87	[3]	I; PU	I	<b>U1_RXD</b> — Receiver input for UART1.
							I/O	<b>SSP0_SSEL</b> — Slave Select for SSP0.
							I	<b>P0[17]</b> — General purpose digital input/output pin.
P0[18]	124	K15	J13	86	[3]	I; PU	I	<b>U1_CTS</b> — Clear to Send input for UART1.
							I/O	<b>SSP0_MISO</b> — Master In Slave Out for SSP0.
							I/O	<b>P0[18]</b> — General purpose digital input/output pin.
P0[19]	122	L17	J10	85	[3]	I; PU	I	<b>U1_DCD</b> — Data Carrier Detect input for UART1.
							O	<b>SSP0_MOSI</b> — Master Out Slave In for SSP0.
							O	<b>U1_DSR</b> — Data Set Ready input for UART1.
							I/O	<b>SD_CLK</b> — Clock output line for SD card interface.
							I/O	<b>I2C1_SDA</b> — I <sup>2</sup> C1 data input/output (this pin does not use a specialized I2C pad).

**Table 3. Pin description ...continued**

Not all functions are available on all parts. See [Table 2](#) (Ethernet, USB, LCD, QEI, SD/MMC, DAC pins) and [Table 7](#) (EMC pins).

Symbol	Pin LQFP208	Ball TFBGA208	Ball TFBGA180	Pin LQFP144		Reset state <sup>[1]</sup>	Type <sup>[2]</sup>	Description
P0[20]	120	M17	K14	83	<a href="#">[3]</a>	I; PU	I/O	<b>P0[20]</b> — General purpose digital input/output pin.
							O	<b>U1_DTR</b> — Data Terminal Ready output for UART1. Can also be configured to be an RS-485/EIA-485 output enable signal for UART1.
							I/O	<b>SD_CMD</b> — Command line for SD card interface.
							I/O	<b>I2C1_SCL</b> — I <sup>2</sup> C1 clock input/output (this pin does not use a specialized I2C pad).
P0[21]	118	M16	K11	82	<a href="#">[3]</a>	I; PU	I/O	<b>P0[21]</b> — General purpose digital input/output pin.
							I	<b>U1_RI</b> — Ring Indicator input for UART1.
							O	<b>SD_PWR</b> — Power Supply Enable for external SD card power supply.
							O	<b>U4_OE</b> — RS-485/EIA-485 output enable signal for UART4.
							I	<b>CAN_RD1</b> — CAN1 receiver input.
I/O	<b>U4_SCLK</b> — USART 4 clock input or output in synchronous mode.							
P0[22]	116	N17	L14	80	<a href="#">[6]</a>	I; PU	I/O	<b>P0[22]</b> — General purpose digital input/output pin.
							O	<b>U1_RTS</b> — Request to Send output for UART1. Can also be configured to be an RS-485/EIA-485 output enable signal for UART1.
							I/O	<b>SD_DAT[0]</b> — Data line 0 for SD card interface.
							O	<b>U4_TXD</b> — Transmitter output for USART4 (input/output in smart card mode).
O	<b>CAN_TD1</b> — CAN1 transmitter output.							
P0[23]	18	H1	F5	13	<a href="#">[5]</a>	I; PU	I/O	<b>P0[23]</b> — General purpose digital input/output pin.
							I	<b>ADC0_IN[0]</b> — A/D converter 0, input 0. When configured as an ADC input, the digital function of the pin must be disabled.
							I/O	<b>I2S_RX_SCK</b> — Receive Clock. It is driven by the master and received by the slave. Corresponds to the signal SCK in the I <sup>2</sup> S-bus specification.
I	<b>T3_CAP0</b> — Capture input for Timer 3, channel 0.							
P0[24]	16	G2	E1	11	<a href="#">[5]</a>	I; PU	I/O	<b>P0[24]</b> — General purpose digital input/output pin.
							I	<b>ADC0_IN[1]</b> — A/D converter 0, input 1. When configured as an ADC input, the digital function of the pin must be disabled.
							I/O	<b>I2S_RX_WS</b> — Receive Word Select. It is driven by the master and received by the slave. Corresponds to the signal WS in the I <sup>2</sup> S-bus specification.
I	<b>T3_CAP1</b> — Capture input for Timer 3, channel 1.							

**Table 3. Pin description ...continued**

Not all functions are available on all parts. See [Table 2](#) (Ethernet, USB, LCD, QEI, SD/MMC, DAC pins) and [Table 7](#) (EMC pins).

Symbol	Pin LQFP208	Ball TFBGA208	Ball TFBGA180	Pin LQFP144		Reset state <sup>[1]</sup>	Type <sup>[2]</sup>	Description
P0[25]	14	F1	E4	10	[5]	I; PU	I/O	<b>P0[25]</b> — General purpose digital input/output pin.
							I	<b>ADC0_IN[2]</b> — A/D converter 0, input 2. When configured as an ADC input, the digital function of the pin must be disabled.
							I/O	<b>I2S_RX_SDA</b> — Receive data. It is driven by the transmitter and read by the receiver. Corresponds to the signal SD in the <i>I<sup>2</sup>S-bus specification</i> .
							O	<b>U3_TXD</b> — Transmitter output for UART3.
P0[26]	12	E1	D1	8	[7]	I; PU	I/O	<b>P0[26]</b> — General purpose digital input/output pin.
							I	<b>ADC0_IN[3]</b> — A/D converter 0, input 3. When configured as an ADC input, the digital function of the pin must be disabled.
							O	<b>DAC_OUT</b> — D/A converter output. When configured as the DAC output, the digital function of the pin must be disabled.
P0[27]	50	T1	L3	35	[8]	I	I/O	<b>P0[27]</b> — General purpose digital input/output pin.
							I/O	<b>I2C0_SDA</b> — I <sup>2</sup> C0 data input/output (this pin uses a specialized I2C pad).
							I/O	<b>USB_SDA1</b> — I2C serial data for communication with an external USB transceiver.
P0[28]	48	R3	M1	34	[8]	I	I/O	<b>P0[28]</b> — General purpose digital input/output pin.
							I/O	<b>I2C0_SCL</b> — I <sup>2</sup> C0 clock input/output (this pin uses a specialized I2C pad).
							I/O	<b>USB_SCL1</b> — I2C serial clock for communication with an external USB transceiver.
P0[29]	61	U4	K5	42	[9]	I	I/O	<b>P0[29]</b> — General purpose digital input/output pin.
							I/O	<b>USB_D+1</b> — USB port 1 bidirectional D+ line.
							I	<b>EINT0</b> — External interrupt 0 input.
P0[30]	62	R6	N4	43	[9]	I	I/O	<b>P0[30]</b> — General purpose digital input/output pin.
							I/O	<b>USB_D-1</b> — USB port 1 bidirectional D- line.
							I	<b>EINT1</b> — External interrupt 1 input.
P0[31]	51	T2	N1	36	[9]	I	I/O	<b>P0[31]</b> — General purpose digital input/output pin.
							I/O	<b>USB_D+2</b> — USB port 2 bidirectional D+ line.
<b>P1[0] to P1[31]</b>							I/O	<b>Port 1:</b> Port 1 is a 32 bit I/O port with individual direction controls for each bit. The operation of port 1 pins depends upon the pin function selected via the pin connect block
P1[0]	196	A3	B5	136	[3]	I; PU	I/O	<b>P1[0]</b> — General purpose digital input/output pin.
							O	<b>ENET_TXD0</b> — Ethernet transmit data 0 (RMII/MII interface).
							-	<b>R</b> — Function reserved.
							I	<b>T3_CAP1</b> — Capture input for Timer 3, channel 1.
							I/O	<b>SSP2_SCK</b> — Serial clock for SSP2.

**Table 3. Pin description ...continued**

Not all functions are available on all parts. See [Table 2](#) (Ethernet, USB, LCD, QEI, SD/MMC, DAC pins) and [Table 7](#) (EMC pins).

Symbol	Pin LQFP208	Ball TFBGA208	Ball TFBGA180	Pin LQFP144		Reset state <sup>[1]</sup>	Type <sup>[2]</sup>	Description
P1[1]	194	B5	A5	135	<a href="#">[3]</a>	I; PU	I/O	<b>P1[1]</b> — General purpose digital input/output pin.
							O	<b>ENET_TXD1</b> — Ethernet transmit data 1 (RMII/MII interface).
							-	<b>R</b> — Function reserved.
							O	<b>T3_MAT3</b> — Match output for Timer 3, channel 3.
							I/O	<b>SSP2_MOSI</b> — Master Out Slave In for SSP2.
P1[2]	185	D9	B7	-	<a href="#">[3]</a>	I; PU	I/O	<b>P1[2]</b> — General purpose digital input/output pin.
							O	<b>ENET_TXD2</b> — Ethernet transmit data 2 (MII interface).
							O	<b>SD_CLK</b> — Clock output line for SD card interface.
							O	<b>PWM0[1]</b> — Pulse Width Modulator 0, output 1.
P1[3]	177	A10	A9	-	<a href="#">[3]</a>	I; PU	I/O	<b>P1[3]</b> — General purpose digital input/output pin.
							O	<b>ENET_TXD3</b> — Ethernet transmit data 3 (MII interface).
							I/O	<b>SD_CMD</b> — Command line for SD card interface.
							O	<b>PWM0[2]</b> — Pulse Width Modulator 0, output 2.
P1[4]	192	A5	C6	133	<a href="#">[3]</a>	I; PU	I/O	<b>P1[4]</b> — General purpose digital input/output pin.
							O	<b>ENET_TX_EN</b> — Ethernet transmit data enable (RMII/MII interface).
							-	<b>R</b> — Function reserved.
							O	<b>T3_MAT2</b> — Match output for Timer 3, channel 2.
							I/O	<b>SSP2_MISO</b> — Master In Slave Out for SSP2.
P1[5]	156	A17	B13	-	<a href="#">[3]</a>	I; PU	I/O	<b>P1[5]</b> — General purpose digital input/output pin.
							O	<b>ENET_TX_ER</b> — Ethernet Transmit Error (MII interface).
							O	<b>SD_PWR</b> — Power Supply Enable for external SD card power supply.
							O	<b>PWM0[3]</b> — Pulse Width Modulator 0, output 3.
P1[6]	171	B11	B10	-	<a href="#">[3]</a>	I; PU	I/O	<b>P1[6]</b> — General purpose digital input/output pin.
							I	<b>ENET_TX_CLK</b> — Ethernet Transmit Clock (MII interface).
							I/O	<b>SD_DAT[0]</b> — Data line 0 for SD card interface.
							O	<b>PWM0[4]</b> — Pulse Width Modulator 0, output 4.
P1[7]	153	D14	C13	-	<a href="#">[3]</a>	I; PU	I/O	<b>P1[7]</b> — General purpose digital input/output pin.
							I	<b>ENET_COL</b> — Ethernet Collision detect (MII interface).
							I/O	<b>SD_DAT[1]</b> — Data line 1 for SD card interface.
							O	<b>PWM0[5]</b> — Pulse Width Modulator 0, output 5.



**Table 3. Pin description ...continued**

Not all functions are available on all parts. See [Table 2](#) (Ethernet, USB, LCD, QEI, SD/MMC, DAC pins) and [Table 7](#) (EMC pins).

Symbol	Pin LQFP208	Ball TFBGA208	Ball TFBGA180	Pin LQFP144		Reset state <sup>[1]</sup>	Type <sup>[2]</sup>	Description
P1[8]	190	C7	B6	132	<a href="#">[3]</a>	I; PU	I/O	<b>P1[8]</b> — General purpose digital input/output pin.
							I	<b>ENET_CRS (ENET_CRS_DV)</b> — Ethernet Carrier Sense (MII interface) or Ethernet Carrier Sense/Data Valid (RMII interface).
							-	<b>R</b> — Function reserved.
							O	<b>T3_MAT1</b> — Match output for Timer 3, channel 1.
							I/O	<b>SSP2_SSEL</b> — Slave Select for SSP2.
P1[9]	188	A6	D7	131	<a href="#">[3]</a>	I; PU	I/O	<b>P1[9]</b> — General purpose digital input/output pin.
							I	<b>ENET_RXD0</b> — Ethernet receive data 0 (RMII/MII interface).
							-	<b>R</b> — Function reserved.
							O	<b>T3_MAT0</b> — Match output for Timer 3, channel 0.
P1[10]	186	C8	A7	129	<a href="#">[3]</a>	I; PU	I/O	<b>P1[10]</b> — General purpose digital input/output pin.
							I	<b>ENET_RXD1</b> — Ethernet receive data 1 (RMII/MII interface).
							-	<b>R</b> — Function reserved.
							I	<b>T3_CAP0</b> — Capture input for Timer 3, channel 0.
P1[11]	163	A14	A12	-	<a href="#">[3]</a>	I; PU	I/O	<b>P1[11]</b> — General purpose digital input/output pin.
							I	<b>ENET_RXD2</b> — Ethernet Receive Data 2 (MII interface).
							I/O	<b>SD_DAT[2]</b> — Data line 2 for SD card interface.
							O	<b>PWM0[6]</b> — Pulse Width Modulator 0, output 6.
P1[12]	157	A16	A14	-	<a href="#">[3]</a>	I; PU	I/O	<b>P1[12]</b> — General purpose digital input/output pin.
							I	<b>ENET_RXD3</b> — Ethernet Receive Data (MII interface).
							I/O	<b>SD_DAT[3]</b> — Data line 3 for SD card interface.
							I	<b>PWM0_CAP0</b> — Capture input for PWM0, channel 0.
P1[13]	147	D16	D14	-	<a href="#">[3]</a>	I; PU	I/O	<b>P1[13]</b> — General purpose digital input/output pin.
							I	<b>ENET_RX_DV</b> — Ethernet Receive Data Valid (MII interface).
P1[14]	184	A7	D8	128	<a href="#">[3]</a>	I; PU	I/O	<b>P1[14]</b> — General purpose digital input/output pin.
							I	<b>ENET_RX_ER</b> — Ethernet receive error (RMII/MII interface).
							-	<b>R</b> — Function reserved.
							I	<b>T2_CAP0</b> — Capture input for Timer 2, channel 0.
P1[15]	182	A8	A8	126	<a href="#">[3]</a>	I; PU	I/O	<b>P1[15]</b> — General purpose digital input/output pin.
							I	<b>ENET_RX_CLK (ENET_REF_CLK)</b> — Ethernet Receive Clock (MII interface) or Ethernet Reference Clock (RMII interface).
							-	<b>R</b> — Function reserved.
							I/O	<b>I2C2_SDA</b> — I <sup>2</sup> C2 data input/output (this pin does not use a specialized I2C pad).

**Table 3. Pin description ...continued**

Not all functions are available on all parts. See [Table 2](#) (Ethernet, USB, LCD, QEI, SD/MMC, DAC pins) and [Table 7](#) (EMC pins).

Symbol	Pin LQFP208	Ball TFBGA208	Ball TFBGA180	Pin LQFP144		Reset state <sup>[1]</sup>	Type <sup>[2]</sup>	Description
P1[16]	180	D10	B8	125	<a href="#">[3]</a>	I; PU	I/O	<b>P1[16]</b> — General purpose digital input/output pin.
							O	<b>ENET_MDC</b> — Ethernet MIIM clock.
							O	<b>I2S_TX_MCLK</b> — I2S transmit master clock.
P1[17]	178	A9	C9	123	<a href="#">[3]</a>	I; PU	I/O	<b>P1[17]</b> — General purpose digital input/output pin.
							I/O	<b>ENET_MDIO</b> — Ethernet MIIM data input and output.
							O	<b>I2S_RX_MCLK</b> — I2S receive master clock.
P1[18]	66	P7	L5	46	<a href="#">[3]</a>	I; PU	I/O	<b>P1[18]</b> — General purpose digital input/output pin.
							O	<b>USB_UP_LED1</b> — It is LOW when the device is configured (non-control endpoints enabled), or when the host is enabled and has detected a device on the bus. It is HIGH when the device is not configured, or when host is enabled and has not detected a device on the bus, or during global suspend. It transitions between LOW and HIGH (flashes) when the host is enabled and detects activity on the bus.
							O	<b>PWM1[1]</b> — Pulse Width Modulator 1, channel 1 output.
							I	<b>T1_CAP0</b> — Capture input for Timer 1, channel 0.
							-	<b>R</b> — Function reserved.
							I/O	<b>SSP1_MISO</b> — Master In Slave Out for SSP1.
P1[19]	68	U6	P5	47	<a href="#">[3]</a>	I; PU	I/O	<b>P1[19]</b> — General purpose digital input/output pin.
							O	<b>USB_TX_E1</b> — Transmit Enable signal for USB port 1 (OTG transceiver).
							O	<b>USB_PPWR1</b> — Port Power enable signal for USB port 1.
							I	<b>T1_CAP1</b> — Capture input for Timer 1, channel 1.
							O	<b>MC_0A</b> — Motor control PWM channel 0, output A.
							I/O	<b>SSP1_SCK</b> — Serial clock for SSP1.
							O	<b>U2_OE</b> — RS-485/EIA-485 output enable signal for UART2.
P1[20]	70	U7	K6	49	<a href="#">[3]</a>	I; PU	I/O	<b>P1[20]</b> — General purpose digital input/output pin.
							O	<b>USB_TX_DP1</b> — D+ transmit data for USB port 1 (OTG transceiver).
							O	<b>PWM1[2]</b> — Pulse Width Modulator 1, channel 2 output.
							I	<b>QEI_PHA</b> — Quadrature Encoder Interface PHA input.
							I	<b>MC_FB0</b> — Motor control PWM channel 0 feedback input.
							I/O	<b>SSP0_SCK</b> — Serial clock for SSP0.
							O	<b>LCD_VD[6]</b> — LCD data.
O	<b>LCD_VD[10]</b> — LCD data.							

**Table 3. Pin description ...continued**

Not all functions are available on all parts. See [Table 2](#) (Ethernet, USB, LCD, QEI, SD/MMC, DAC pins) and [Table 7](#) (EMC pins).

Symbol	Pin LQFP208	Ball TFBGA208	Ball TFBGA180	Pin LQFP144		Reset state <sup>[1]</sup>	Type <sup>[2]</sup>	Description
P1[21]	72	R8	N6	50	3	I; PU	I/O	<b>P1[21]</b> — General purpose digital input/output pin.
							O	<b>USB_TX_DM1</b> — D- transmit data for USB port 1 (OTG transceiver).
							O	<b>PWM1[3]</b> — Pulse Width Modulator 1, channel 3 output.
							I/O	<b>SSP0_SSEL</b> — Slave Select for SSP0.
							I	<b>MC_ABORT</b> — Motor control PWM, active low fast abort.
							-	<b>R</b> — Function reserved.
							O	<b>LCD_VD[7]</b> — LCD data.
							O	<b>LCD_VD[11]</b> — LCD data.
P1[22]	74	U8	M6	51	3	I; PU	I/O	<b>P1[22]</b> — General purpose digital input/output pin.
							I	<b>USB_RCV1</b> — Differential receive data for USB port 1 (OTG transceiver).
							I	<b>USB_PWRD1</b> — Power Status for USB port 1 (host power switch).
							O	<b>T1_MAT0</b> — Match output for Timer 1, channel 0.
							O	<b>MC_0B</b> — Motor control PWM channel 0, output B.
							I/O	<b>SSP1_MOSI</b> — Master Out Slave In for SSP1.
							O	<b>LCD_VD[8]</b> — LCD data.
							O	<b>LCD_VD[12]</b> — LCD data.
P1[23]	76	P9	N7	53	3	I; PU	I/O	<b>P1[23]</b> — General purpose digital input/output pin.
							I	<b>USB_RX_DP1</b> — D+ receive data for USB port 1 (OTG transceiver).
							O	<b>PWM1[4]</b> — Pulse Width Modulator 1, channel 4 output.
							I	<b>QEI_PHB</b> — Quadrature Encoder Interface PHB input.
							I	<b>MC_FB1</b> — Motor control PWM channel 1 feedback input.
							I/O	<b>SSP0_MISO</b> — Master In Slave Out for SSP0.
							O	<b>LCD_VD[9]</b> — LCD data.
							O	<b>LCD_VD[13]</b> — LCD data.
P1[24]	78	T9	P7	54	3	I; PU	I/O	<b>P1[24]</b> — General purpose digital input/output pin.
							I	<b>USB_RX_DM1</b> — D- receive data for USB port 1 (OTG transceiver).
							O	<b>PWM1[5]</b> — Pulse Width Modulator 1, channel 5 output.
							I	<b>QEI_IDX</b> — Quadrature Encoder Interface INDEX input.
							I	<b>MC_FB2</b> — Motor control PWM channel 2 feedback input.
							I/O	<b>SSP0_MOSI</b> — Master Out Slave in for SSP0.
							O	<b>LCD_VD[10]</b> — LCD data.
							O	<b>LCD_VD[14]</b> — LCD data.

**Table 3. Pin description ...continued**

Not all functions are available on all parts. See [Table 2](#) (Ethernet, USB, LCD, QEI, SD/MMC, DAC pins) and [Table 7](#) (EMC pins).

Symbol	Pin LQFP208	Ball TFBGA208	Ball TFBGA180	Pin LQFP144		Reset state <sup>[1]</sup>	Type <sup>[2]</sup>	Description
P1[25]	80	T10	L7	56	[3]	I; PU	I/O	<b>P1[25]</b> — General purpose digital input/output pin.
							O	<b>USB_LS1</b> — Low Speed status for USB port 1 (OTG transceiver).
							O	<b>USB_HSTEN1</b> — Host Enabled status for USB port 1.
							O	<b>T1_MAT1</b> — Match output for Timer 1, channel 1.
							O	<b>MC_1A</b> — Motor control PWM channel 1, output A.
							O	<b>CLKOUT</b> — Selectable clock output.
							O	<b>LCD_VD[11]</b> — LCD data.
							O	<b>LCD_VD[15]</b> — LCD data.
P1[26]	82	R10	P8	57	[3]	I; PU	I/O	<b>P1[26]</b> — General purpose digital input/output pin.
							O	<b>USB_SSPND1</b> — USB port 1 Bus Suspend status (OTG transceiver).
							O	<b>PWM1[6]</b> — Pulse Width Modulator 1, channel 6 output.
							I	<b>T0_CAP0</b> — Capture input for Timer 0, channel 0.
							O	<b>MC_1B</b> — Motor control PWM channel 1, output B.
							I/O	<b>SSP1_SSEL</b> — Slave Select for SSP1.
							O	<b>LCD_VD[12]</b> — LCD data.
							O	<b>LCD_VD[20]</b> — LCD data.
P1[27]	88	T12	M9	61	[3]	I; PU	I/O	<b>P1[27]</b> — General purpose digital input/output pin.
							I	<b>USB_INT1</b> — USB port 1 OTG transceiver interrupt (OTG transceiver).
							I	<b>USB_OVRCR1</b> — USB port 1 Over-Current status.
							I	<b>T0_CAP1</b> — Capture input for Timer 0, channel 1.
							O	<b>CLKOUT</b> — Selectable clock output.
							-	<b>R</b> — Function reserved.
							O	<b>LCD_VD[13]</b> — LCD data.
							O	<b>LCD_VD[21]</b> — LCD data.
P1[28]	90	T13	P10	63	[3]	I; PU	I/O	<b>P1[28]</b> — General purpose digital input/output pin.
							I/O	<b>USB_SCL1</b> — USB port 1 I <sup>2</sup> C serial clock (OTG transceiver).
							I	<b>PWM1_CAP0</b> — Capture input for PWM1, channel 0.
							O	<b>T0_MAT0</b> — Match output for Timer 0, channel 0.
							O	<b>MC_2A</b> — Motor control PWM channel 2, output A.
							I/O	<b>SSP0_SSEL</b> — Slave Select for SSP0.
							O	<b>LCD_VD[14]</b> — LCD data.
							O	<b>LCD_VD[22]</b> — LCD data.

**Table 3. Pin description ...continued**

Not all functions are available on all parts. See [Table 2](#) (Ethernet, USB, LCD, QEI, SD/MMC, DAC pins) and [Table 7](#) (EMC pins).

Symbol	Pin LQFP208	Ball TFBGA208	Ball TFBGA180	Pin LQFP144		Reset state <sup>[1]</sup>	Type <sup>[2]</sup>	Description
P1[29]	92	U14	N10	64	<a href="#">[3]</a>	I; PU	I/O	<b>P1[29]</b> — General purpose digital input/output pin.
							I/O	<b>USB_SDA1</b> — USB port 1 I <sup>2</sup> C serial data (OTG transceiver).
							I	<b>PWM1_CAP1</b> — Capture input for PWM1, channel 1.
							O	<b>T0_MAT1</b> — Match output for Timer 0, channel 1.
							O	<b>MC_2B</b> — Motor control PWM channel 2, output B.
							O	<b>U4_TXD</b> — Transmitter output for USART4 (input/output in smart card mode).
							O	<b>LCD_VD[15]</b> — LCD data.
							O	<b>LCD_VD[23]</b> — LCD data.
P1[30]	42	P2	K3	30	<a href="#">[5]</a>	I; PU	I/O	<b>P1[30]</b> — General purpose digital input/output pin.
							I	<b>USB_PWRD2</b> — Power Status for USB port 2.
							I	<b>USB_VBUS</b> — Monitors the presence of USB bus power. This signal must be HIGH for USB reset to occur.
							I	<b>ADC0_IN[4]</b> — A/D converter 0, input 4. When configured as an ADC input, the digital function of the pin must be disabled.
							I/O	<b>I2C0_SDA</b> — I <sup>2</sup> C0 data input/output (this pin does not use a specialized I2C pad).
O	<b>U3_OE</b> — RS-485/EIA-485 output enable signal for UART3.							
P1[31]	40	P1	K2	28	<a href="#">[5]</a>	I; PU	I/O	<b>P1[31]</b> — General purpose digital input/output pin.
							I	<b>USB_OVRCR2</b> — Over-Current status for USB port 2.
							I/O	<b>SSP1_SCK</b> — Serial Clock for SSP1.
							I	<b>ADC0_IN[5]</b> — A/D converter 0, input 5. When configured as an ADC input, the digital function of the pin must be disabled.
I/O	<b>I2C0_SCL</b> — I <sup>2</sup> C0 clock input/output (this pin does not use a specialized I2C pad).							
<b>P2[0] to P2[31]</b>							I/O	<b>Port 2:</b> Port 2 is a 32 bit I/O port with individual direction controls for each bit. The operation of port 1 pins depends upon the pin function selected via the pin connect block.
P2[0]	154	B17	D12	107	<a href="#">[3]</a>	I; PU	I/O	<b>P2[0]</b> — General purpose digital input/output pin.
							O	<b>PWM1[1]</b> — Pulse Width Modulator 1, channel 1 output.
							O	<b>U1_TXD</b> — Transmitter output for UART1.
							-	<b>R</b> — Function reserved.
							-	<b>R</b> — Function reserved.
							-	<b>R</b> — Function reserved.
							-	<b>R</b> — Function reserved.
O	<b>LCD_PWR</b> — LCD panel power enable.							

**Table 3. Pin description ...continued**

Not all functions are available on all parts. See [Table 2](#) (Ethernet, USB, LCD, QEI, SD/MMC, DAC pins) and [Table 7](#) (EMC pins).

Symbol	Pin LQFP208	Ball TFBGA208	Ball TFBGA180	Pin LQFP144		Reset state <sup>[1]</sup>	Type <sup>[2]</sup>	Description
P2[1]	152	E14	C14	106	<a href="#">[3]</a>	I; PU	I/O	<b>P2[1]</b> — General purpose digital input/output pin.
							O	<b>PWM1[2]</b> — Pulse Width Modulator 1, channel 2 output.
							I	<b>U1_RXD</b> — Receiver input for UART1.
							-	<b>R</b> — Function reserved.
							-	<b>R</b> — Function reserved.
							-	<b>R</b> — Function reserved.
							-	<b>R</b> — Function reserved.
							O	<b>LCD_LE</b> — Line end signal.
P2[2]	150	D15	E11	105	<a href="#">[3]</a>	I; PU	I/O	<b>P2[2]</b> — General purpose digital input/output pin.
							O	<b>PWM1[3]</b> — Pulse Width Modulator 1, channel 3 output.
							I	<b>U1_CTS</b> — Clear to Send input for UART1.
							O	<b>T2_MAT3</b> — Match output for Timer 2, channel 3.
							-	<b>R</b> — Function reserved.
							O	<b>TRACEDATA[3]</b> — Trace data, bit 3.
							-	<b>R</b> — Function reserved.
							O	<b>LCD_DCLK</b> — LCD panel clock.
P2[3]	144	E16	E13	100	<a href="#">[3]</a>	I; PU	I/O	<b>P2[3]</b> — General purpose digital input/output pin.
							O	<b>PWM1[4]</b> — Pulse Width Modulator 1, channel 4 output.
							I	<b>U1_DCD</b> — Data Carrier Detect input for UART1.
							O	<b>T2_MAT2</b> — Match output for Timer 2, channel 2.
							-	<b>R</b> — Function reserved.
							O	<b>TRACEDATA[2]</b> — Trace data, bit 2.
							-	<b>R</b> — Function reserved.
							O	<b>LCD_FP</b> — Frame pulse (STN). Vertical synchronization pulse (TFT).
P2[4]	142	D17	E14	99	<a href="#">[3]</a>	I; PU	I/O	<b>P2[4]</b> — General purpose digital input/output pin.
							O	<b>PWM1[5]</b> — Pulse Width Modulator 1, channel 5 output.
							I	<b>U1_DSR</b> — Data Set Ready input for UART1.
							O	<b>T2_MAT1</b> — Match output for Timer 2, channel 1.
							-	<b>R</b> — Function reserved.
							O	<b>TRACEDATA[1]</b> — Trace data, bit 1.
							-	<b>R</b> — Function reserved.
							O	<b>LCD_ENAB_M</b> — STN AC bias drive or TFT data enable output.

**Table 3. Pin description ...continued**

Not all functions are available on all parts. See [Table 2](#) (Ethernet, USB, LCD, QEI, SD/MMC, DAC pins) and [Table 7](#) (EMC pins).

Symbol	Pin LQFP208	Ball TFBGA208	Ball TFBGA180	Pin LQFP144		Reset state <sup>[1]</sup>	Type <sup>[2]</sup>	Description
P2[5]	140	F16	F12	97	[3]	I; PU	I/O	<b>P2[5]</b> — General purpose digital input/output pin.
							O	<b>PWM1[6]</b> — Pulse Width Modulator 1, channel 6 output.
							O	<b>U1_DTR</b> — Data Terminal Ready output for UART1. Can also be configured to be an RS-485/EIA-485 output enable signal for UART1.
							O	<b>T2_MAT0</b> — Match output for Timer 2, channel 0.
							-	<b>R</b> — Function reserved.
							O	<b>TRACEDATA[0]</b> — Trace data, bit 0.
							-	<b>R</b> — Function reserved.
							O	<b>LCD_LP</b> — Line synchronization pulse (STN). Horizontal synchronization pulse (TFT).
P2[6]	138	E17	F13	96	[3]	I; PU	I/O	<b>P2[6]</b> — General purpose digital input/output pin.
							I	<b>PWM1_CAP0</b> — Capture input for PWM1, channel 0.
							I	<b>U1_RI</b> — Ring Indicator input for UART1.
							I	<b>T2_CAP0</b> — Capture input for Timer 2, channel 0.
							O	<b>U2_OE</b> — RS-485/EIA-485 output enable signal for UART2.
							O	<b>TRACECLK</b> — Trace clock.
							O	<b>LCD_VD[0]</b> — LCD data.
							O	<b>LCD_VD[4]</b> — LCD data.
P2[7]	136	G16	G11	95	[3]	I; PU	I/O	<b>P2[7]</b> — General purpose digital input/output pin.
							I	<b>CAN_RD2</b> — CAN2 receiver input.
							O	<b>U1_RTS</b> — Request to Send output for UART1. Can also be configured to be an RS-485/EIA-485 output enable signal for UART1.
							-	<b>R</b> — Function reserved.
							-	<b>R</b> — Function reserved.
							-	<b>R</b> — Function reserved.
							O	<b>LCD_VD[1]</b> — LCD data.
							O	<b>LCD_VD[5]</b> — LCD data.
P2[8]	134	H15	G14	93	[3]	I; PU	I/O	<b>P2[8]</b> — General purpose digital input/output pin.
							O	<b>CAN_TD2</b> — CAN2 transmitter output.
							O	<b>U2_TXD</b> — Transmitter output for UART2.
							I	<b>U1_CTS</b> — Clear to Send input for UART1.
							O	<b>ENET_MDC</b> — Ethernet MIIM clock.
							-	<b>R</b> — Function reserved.
							O	<b>LCD_VD[2]</b> — LCD data.
							O	<b>LCD_VD[6]</b> — LCD data.

**Table 3. Pin description ...continued**

Not all functions are available on all parts. See [Table 2](#) (Ethernet, USB, LCD, QEI, SD/MMC, DAC pins) and [Table 7](#) (EMC pins).

Symbol	Pin LQFP208	Ball TFBGA208	Ball TFBGA180	Pin LQFP144		Reset state <sup>[1]</sup>	Type <sup>[2]</sup>	Description
P2[9]	132	H16	H11	92	<a href="#">[3]</a>	I; PU	I/O	<b>P2[9]</b> — General purpose digital input/output pin.
							O	<b>USB_CONNECT1</b> — USB1 SoftConnect control. Signal used to switch an external 1.5 kΩ resistor under the software control. Used with the SoftConnect USB feature.
							I	<b>U2_RXD</b> — Receiver input for UART2.
							I	<b>U4_RXD</b> — Receiver input for USART4.
							I/O	<b>ENET_MDIO</b> — Ethernet MIIM data input and output.
							-	<b>R</b> — Function reserved.
							I	<b>LCD_VD[3]</b> — LCD data.
							I	<b>LCD_VD[7]</b> — LCD data.
P2[10]	110	N15	M13	76	<a href="#">[10]</a>	I; PU	I/O	<b>P2[10]</b> — General purpose digital input/output pin. This pin includes a 10 ns input . A LOW on this pin while $\overline{\text{RESET}}$ is LOW forces the on-chip boot loader to take over control of the part after a reset and go into ISP mode.
							I	<b>EINT0</b> — External interrupt 0 input.
							I	<b>NMI</b> — Non-maskable interrupt input.
P2[11]	108	T17	M12	75	<a href="#">[10]</a>	I; PU	I/O	<b>P2[11]</b> — General purpose digital input/output pin. This pin includes a 10 ns input glitch filter.
							I	<b>EINT1</b> — External interrupt 1 input.
							I/O	<b>SD_DAT[1]</b> — Data line 1 for SD card interface.
							I/O	<b>I2S_TX_SCK</b> — Transmit Clock. It is driven by the master and received by the slave. Corresponds to the signal SCK in the <i>I<sup>2</sup>S-bus specification</i> .
							-	<b>R</b> — Function reserved.
							-	<b>R</b> — Function reserved.
							-	<b>R</b> — Function reserved.
O	<b>LCD_CLKIN</b> — LCD clock.							
P2[12]	106	N14	N14	73	<a href="#">[10]</a>	I; PU	I/O	<b>P2[12]</b> — General purpose digital input/output pin. This pin includes a 10 ns input glitch filter.
							I	<b>EINT2</b> — External interrupt 2 input.
							I/O	<b>SD_DAT[2]</b> — Data line 2 for SD card interface.
							I/O	<b>I2S_TX_WS</b> — Transmit Word Select. It is driven by the master and received by the slave. Corresponds to the signal WS in the <i>I<sup>2</sup>S-bus specification</i> .
							O	<b>LCD_VD[4]</b> — LCD data.
							O	<b>LCD_VD[3]</b> — LCD data.
							O	<b>LCD_VD[8]</b> — LCD data.
O	<b>LCD_VD[18]</b> — LCD data.							



**Table 3. Pin description ...continued**

Not all functions are available on all parts. See [Table 2](#) (Ethernet, USB, LCD, QEI, SD/MMC, DAC pins) and [Table 7](#) (EMC pins).

Symbol	Pin LQFP208	Ball TFBGA208	Ball TFBGA180	Pin LQFP144		Reset state <sup>[1]</sup>	Type <sup>[2]</sup>	Description
P2[13]	102	T16	M11	71	<a href="#">[10]</a>	I; PU	I/O	<b>P2[13]</b> — General purpose digital input/output pin. This pin includes a 10 ns input glitch filter.
							I	<b>EINT3</b> — External interrupt 3 input.
							I/O	<b>SD_DAT[3]</b> — Data line 3 for SD card interface.
							I/O	<b>I2S_TX_SDA</b> — Transmit data. It is driven by the transmitter and read by the receiver. Corresponds to the signal SD in the <i>I<sup>2</sup>S-bus specification</i> .
							-	<b>R</b> — Function reserved.
							O	<b>LCD_VD[5]</b> — LCD data.
							O	<b>LCD_VD[9]</b> — LCD data.
							O	<b>LCD_VD[19]</b> — LCD data.
P2[14]	91	R12	-	-	<a href="#">[3]</a>	I; PU	I/O	<b>P2[14]</b> — General purpose digital input/output pin.
							O	<b>EMC_CS2</b> — LOW active Chip Select 2 signal.
							I/O	<b>I2C1_SDA</b> — I <sup>2</sup> C1 data input/output (this pin does not use a specialized I2C pad).
							I	<b>T2_CAP0</b> — Capture input for Timer 2, channel 0.
P2[15]	99	P13	-	-	<a href="#">[3]</a>	I; PU	I/O	<b>P2[15]</b> — General purpose digital input/output pin.
							O	<b>EMC_CS3</b> — LOW active Chip Select 3 signal.
							I/O	<b>I2C1_SCL</b> — I <sup>2</sup> C1 clock input/output (this pin does not use a specialized I2C pad).
							I	<b>T2_CAP1</b> — Capture input for Timer 2, channel 1.
P2[16]	87	R11	P9	-	<a href="#">[3]</a>	I; PU	I/O	<b>P2[16]</b> — General purpose digital input/output pin.
							O	<b>EMC_CAS</b> — LOW active SDRAM Column Address Strobe.
P2[17]	95	R13	P11	-	<a href="#">[3]</a>	I; PU	I/O	<b>P2[17]</b> — General purpose digital input/output pin.
							O	<b>EMC_RAS</b> — LOW active SDRAM Row Address Strobe.
P2[18]	59	U3	P3	-	<a href="#">[6]</a>	I; PU	I/O	<b>P2[18]</b> — General purpose digital input/output pin.
							O	<b>EMC_CLK[0]</b> — SDRAM clock 0.
P2[19]	67	R7	N5	-	<a href="#">[6]</a>	I; PU	I/O	<b>P2[19]</b> — General purpose digital input/output pin.
							O	<b>EMC_CLK[1]</b> — SDRAM clock 1.
P2[20]	73	T8	P6	-	<a href="#">[3]</a>	I; PU	I/O	<b>P2[20]</b> — General purpose digital input/output pin.
							O	<b>EMC_DYCS0</b> — SDRAM chip select 0.
P2[21]	81	U11	N8	-	<a href="#">[3]</a>	I; PU	I/O	<b>P2[21]</b> — General purpose digital input/output pin.
							O	<b>EMC_DYCS1</b> — SDRAM chip select 1.
P2[22]	85	U12	-	-	<a href="#">[3]</a>	I; PU	I/O	<b>P2[22]</b> — General purpose digital input/output pin.
							O	<b>EMC_DYCS2</b> — SDRAM chip select 2.
							I/O	<b>SSP0_SCK</b> — Serial clock for SSP0.
							I	<b>T3_CAP0</b> — Capture input for Timer 3, channel 0.

**Table 3. Pin description ...continued**

Not all functions are available on all parts. See [Table 2](#) (Ethernet, USB, LCD, QEI, SD/MMC, DAC pins) and [Table 7](#) (EMC pins).

Symbol	Pin LQFP208	Ball TFBGA208	Ball TFBGA180	Pin LQFP144		Reset state <sup>[1]</sup>	Type <sup>[2]</sup>	Description
P2[23]	64	U5	-	-	[3]	I; PU	I/O	<b>P2[23]</b> — General purpose digital input/output pin.
							O	<b>EMC_DYCS3</b> — SDRAM chip select 3.
							I/O	<b>SSP0_SSEL</b> — Slave Select for SSP0.
							I	<b>T3_CAP1</b> — Capture input for Timer 3, channel 1.
P2[24]	53	P5	P1	-	[3]	I; PU	I/O	<b>P2[24]</b> — General purpose digital input/output pin.
							O	<b>EMC_CKE0</b> — SDRAM clock enable 0.
P2[25]	54	R4	P2	-	[3]	I; PU	I/O	<b>P2[25]</b> — General purpose digital input/output pin.
							O	<b>EMC_CKE1</b> — SDRAM clock enable 1.
P2[26]	57	T4	-	-	[3]	I; PU	I/O	<b>P2[26]</b> — General purpose digital input/output pin.
							O	<b>EMC_CKE2</b> — SDRAM clock enable 2.
							I/O	<b>SSP0_MISO</b> — Master In Slave Out for SSP0.
							O	<b>T3_MAT0</b> — Match output for Timer 3, channel 0.
P2[27]	47	P3	-	-	[3]	I; PU	I/O	<b>P2[27]</b> — General purpose digital input/output pin.
							O	<b>EMC_CKE3</b> — SDRAM clock enable 3.
							I/O	<b>SSP0_MOSI</b> — Master Out Slave In for SSP0.
							O	<b>T3_MAT1</b> — Match output for Timer 3, channel 1.
P2[28]	49	P4	M2	-	[3]	I; PU	I/O	<b>P2[28]</b> — General purpose digital input/output pin.
							O	<b>EMC_DQM0</b> — Data mask 0 used with SDRAM and static devices.
P2[29]	43	N3	L1	-	[3]	I; PU	I/O	<b>P2[29]</b> — General purpose digital input/output pin.
							O	<b>EMC_DQM1</b> — Data mask 1 used with SDRAM and static devices.
P2[30]	31	L4	-	-	[3]	I; PU	I/O	<b>P2[30]</b> — General purpose digital input/output pin.
							O	<b>EMC_DQM2</b> — Data mask 2 used with SDRAM and static devices.
							I/O	<b>I2C2_SDA</b> — I <sup>2</sup> C2 data input/output (this pin does not use a specialized I2C pad).
							O	<b>T3_MAT2</b> — Match output for Timer 3, channel 2.
P2[31]	39	N2	-	-	[3]	I; PU	I/O	<b>P2[31]</b> — General purpose digital input/output pin.
							O	<b>EMC_DQM3</b> — Data mask 3 used with SDRAM and static devices.
							I/O	<b>I2C2_SCL</b> — I <sup>2</sup> C2 clock input/output (this pin does not use a specialized I2C pad).
							O	<b>T3_MAT3</b> — Match output for Timer 3, channel 3.
<b>P3[0] to P3[31]</b>							I/O	<b>Port 3:</b> Port 3 is a 32-bit I/O port with individual direction controls for each bit. The operation of port 3 pins depends upon the pin function selected via the pin connect block.

**Table 3. Pin description ...continued**

Not all functions are available on all parts. See [Table 2](#) (Ethernet, USB, LCD, QEI, SD/MMC, DAC pins) and [Table 7](#) (EMC pins).

Symbol	Pin LQFP208	Ball TFBGA208	Ball TFBGA180	Pin LQFP144		Reset state <sup>[1]</sup>	Type <sup>[2]</sup>	Description
P3[0]	197	B4	D6	137	[3]	I; PU	I/O	<b>P3[0]</b> — General purpose digital input/output pin.
							I/O	<b>EMC_D[0]</b> — External memory data line 0.
P3[1]	201	B3	E6	140	[3]	I; PU	I/O	<b>P3[1]</b> — General purpose digital input/output pin.
							I/O	<b>EMC_D[1]</b> — External memory data line 1.
P3[2]	207	B1	A2	144	[3]	I; PU	I/O	<b>P3[2]</b> — General purpose digital input/output pin.
							I/O	<b>EMC_D[2]</b> — External memory data line 2.
P3[3]	3	E4	G5	2	[3]	I; PU	I/O	<b>P3[3]</b> — General purpose digital input/output pin.
							I/O	<b>EMC_D[3]</b> — External memory data line 3.
P3[4]	13	F2	D3	9	[3]	I; PU	I/O	<b>P3[4]</b> — General purpose digital input/output pin.
							I/O	<b>EMC_D[4]</b> — External memory data line 4.
P3[5]	17	G1	E3	12	[3]	I; PU	I/O	<b>P3[5]</b> — General purpose digital input/output pin.
							I/O	<b>EMC_D[5]</b> — External memory data line 5.
P3[6]	23	J1	F4	16	[3]	I; PU	I/O	<b>P3[6]</b> — General purpose digital input/output pin.
							I/O	<b>EMC_D[6]</b> — External memory data line 6.
P3[7]	27	L1	G3	19	[3]	I; PU	I/O	<b>P3[7]</b> — General purpose digital input/output pin.
							I/O	<b>EMC_D[7]</b> — External memory data line 7.
P3[8]	191	D8	A6	-	[3]	I; PU	I/O	<b>P3[8]</b> — General purpose digital input/output pin.
							I/O	<b>EMC_D[8]</b> — External memory data line 8.
P3[9]	199	C5	A4	-	[3]	I; PU	I/O	<b>P3[9]</b> — General purpose digital input/output pin.
							I/O	<b>EMC_D[9]</b> — External memory data line 9.
P3[10]	205	B2	B3	-	[3]	I; PU	I/O	<b>P3[10]</b> — General purpose digital input/output pin.
							I/O	<b>EMC_D[10]</b> — External memory data line 10.
P3[11]	208	D5	B2	-	[3]	I; PU	I/O	<b>P3[11]</b> — General purpose digital input/output pin.
							I/O	<b>EMC_D[11]</b> — External memory data line 11.
P3[12]	1	D4	A1	-	[3]	I; PU	I/O	<b>P3[12]</b> — General purpose digital input/output pin.
							I/O	<b>EMC_D[12]</b> — External memory data line 12.
P3[13]	7	C1	C1	-	[3]	I; PU	I/O	<b>P3[13]</b> — General purpose digital input/output pin.
							I/O	<b>EMC_D[13]</b> — External memory data line 13.
P3[14]	21	H2	F1	-	[3]	I; PU	I/O	<b>P3[14]</b> — General purpose digital input/output pin.
							I/O	<b>EMC_D[14]</b> — External memory data line 14.
P3[15]	28	M1	G4	-	[3]	I; PU	I/O	<b>P3[15]</b> — General purpose digital input/output pin.
							I/O	<b>EMC_D[15]</b> — External memory data line 15.
P3[16]	137	F17	-	-	[3]	I; PU	I/O	<b>P3[16]</b> — General purpose digital input/output pin.
							I/O	<b>EMC_D[16]</b> — External memory data line 16.
							O	<b>PWM0[1]</b> — Pulse Width Modulator 0, output 1.
							O	<b>U1_TXD</b> — Transmitter output for UART1.

**Table 3. Pin description ...continued**

Not all functions are available on all parts. See [Table 2](#) (Ethernet, USB, LCD, QEI, SD/MMC, DAC pins) and [Table 7](#) (EMC pins).

Symbol	Pin LQFP208	Ball TFBGA208	Ball TFBGA180	Pin LQFP144		Reset state <sup>[1]</sup>	Type <sup>[2]</sup>	Description
P3[17]	143	F15	-	-	<a href="#">[3]</a>	I; PU	I/O	<b>P3[17]</b> — General purpose digital input/output pin.
							I/O	<b>EMC_D[17]</b> — External memory data line 17.
							O	<b>PWM0[2]</b> — Pulse Width Modulator 0, output 2.
							I	<b>U1_RXD</b> — Receiver input for UART1.
P3[18]	151	C15	-	-	<a href="#">[3]</a>	I; PU	I/O	<b>P3[18]</b> — General purpose digital input/output pin.
							I/O	<b>EMC_D[18]</b> — External memory data line 18.
							O	<b>PWM0[3]</b> — Pulse Width Modulator 0, output 3.
							I	<b>U1_CTS</b> — Clear to Send input for UART1.
P3[19]	161	B14	-	-	<a href="#">[3]</a>	I; PU	I/O	<b>P3[19]</b> — General purpose digital input/output pin.
							I/O	<b>EMC_D[19]</b> — External memory data line 19.
							O	<b>PWM0[4]</b> — Pulse Width Modulator 0, output 4.
							I	<b>U1_DCD</b> — Data Carrier Detect input for UART1.
P3[20]	167	A13	-	-	<a href="#">[3]</a>	I; PU	I/O	<b>P3[20]</b> — General purpose digital input/output pin.
							I/O	<b>EMC_D[20]</b> — External memory data line 20.
							O	<b>PWM0[5]</b> — Pulse Width Modulator 0, output 5.
							I	<b>U1_DSR</b> — Data Set Ready input for UART1.
P3[21]	175	C10	-	-	<a href="#">[3]</a>	I; PU	I/O	<b>P3[21]</b> — General purpose digital input/output pin.
							I/O	<b>EMC_D[21]</b> — External memory data line 21.
							O	<b>PWM0[6]</b> — Pulse Width Modulator 0, output 6.
							O	<b>U1_DTR</b> — Data Terminal Ready output for UART1. Can also be configured to be an RS-485/EIA-485 output enable signal for UART1.
P3[22]	195	C6	-	-	<a href="#">[3]</a>	I; PU	I/O	<b>P3[22]</b> — General purpose digital input/output pin.
							I/O	<b>EMC_D[22]</b> — External memory data line 22.
							I	<b>PWM0_CAP0</b> — Capture input for PWM0, channel 0.
							I	<b>U1_RI</b> — Ring Indicator input for UART1.
P3[23]	65	T6	M4	45	<a href="#">[3]</a>	I; PU	I/O	<b>P3[23]</b> — General purpose digital input/output pin.
							I/O	<b>EMC_D[23]</b> — External memory data line 23.
							I	<b>PWM1_CAP0</b> — Capture input for PWM1, channel 0.
							I	<b>T0_CAP0</b> — Capture input for Timer 0, channel 0.
P3[24]	58	R5	N3	40	<a href="#">[3]</a>	I; PU	I/O	<b>P3[24]</b> — General purpose digital input/output pin.
							I/O	<b>EMC_D[24]</b> — External memory data line 24.
							O	<b>PWM1[1]</b> — Pulse Width Modulator 1, output 1.
							I	<b>T0_CAP1</b> — Capture input for Timer 0, channel 1.

**Table 3. Pin description ...continued**

Not all functions are available on all parts. See [Table 2](#) (Ethernet, USB, LCD, QEI, SD/MMC, DAC pins) and [Table 7](#) (EMC pins).

Symbol	Pin LQFP208	Ball TFBGA208	Ball TFBGA180	Pin LQFP144		Reset state <sup>[1]</sup>	Type <sup>[2]</sup>	Description
P3[25]	56	U2	M3	39	[3]	I; PU	I/O	<b>P3[25]</b> — General purpose digital input/output pin.
							I/O	<b>EMC_D[25]</b> — External memory data line 25.
							O	<b>PWM1[2]</b> — Pulse Width Modulator 1, output 2.
							O	<b>T0_MAT0</b> — Match output for Timer 0, channel 0.
P3[26]	55	T3	K7	38	[3]	I; PU	I/O	<b>P3[26]</b> — General purpose digital input/output pin.
							I/O	<b>EMC_D[26]</b> — External memory data line 26.
							O	<b>PWM1[3]</b> — Pulse Width Modulator 1, output 3.
							O	<b>T0_MAT1</b> — Match output for Timer 0, channel 1.
P3[27]	203	A1	-	-	[3]	I; PU	I/O	<b>P3[27]</b> — General purpose digital input/output pin.
							I/O	<b>EMC_D[27]</b> — External memory data line 27.
							O	<b>PWM1[4]</b> — Pulse Width Modulator 1, output 4.
							I	<b>T1_CAP0</b> — Capture input for Timer 1, channel 0.
P3[28]	5	D2	-	-	[3]	I; PU	I/O	<b>P3[28]</b> — General purpose digital input/output pin.
							I/O	<b>EMC_D[28]</b> — External memory data line 28.
							O	<b>PWM1[5]</b> — Pulse Width Modulator 1, output 5.
							I	<b>T1_CAP1</b> — Capture input for Timer 1, channel 1.
P3[29]	11	F3	-	-	[3]	I; PU	I/O	<b>P3[29]</b> — General purpose digital input/output pin.
							I/O	<b>EMC_D[29]</b> — External memory data line 29.
							O	<b>PWM1[6]</b> — Pulse Width Modulator 1, output 6.
							O	<b>T1_MAT0</b> — Match output for Timer 1, channel 0.
P3[30]	19	H3	-	-	[3]	I; PU	I/O	<b>P3[30]</b> — General purpose digital input/output pin.
							I/O	<b>EMC_D[30]</b> — External memory data line 30.
							O	<b>U1_RTS</b> — Request to Send output for UART1. Can also be configured to be an RS-485/EIA-485 output enable signal for UART1.
							O	<b>T1_MAT1</b> — Match output for Timer 1, channel 1.
P3[31]	25	J3	-	-	[3]	I; PU	I/O	<b>P3[31]</b> — General purpose digital input/output pin.
							I/O	<b>EMC_D[31]</b> — External memory data line 31.
							-	<b>R</b> — Function reserved.
							O	<b>T1_MAT2</b> — Match output for Timer 1, channel 2.
<b>P4[0] to P4[31]</b>							I/O	<b>Port 4:</b> Port 4 is a 32-bit I/O port with individual direction controls for each bit. The operation of port 4 pins depends upon the pin function selected via the pin connect block.
P4[0]	75	U9	L6	52	[3]	I; PU	I/O	<b>P4[0]</b> — General purpose digital input/output pin.
							I/O	<b>EMC_A[0]</b> — External memory address line 0.

**Table 3. Pin description ...continued**

Not all functions are available on all parts. See [Table 2](#) (Ethernet, USB, LCD, QEI, SD/MMC, DAC pins) and [Table 7](#) (EMC pins).

Symbol	Pin LQFP208	Ball TFBGA208	Ball TFBGA180	Pin LQFP144		Reset state <sup>[1]</sup>	Type <sup>[2]</sup>	Description
P4[1]	79	U10	M7	55	[3]	I; PU	I/O	<b>P4[1]</b> — General purpose digital input/output pin.
							I/O	<b>EMC_A[1]</b> — External memory address line 1.
P4[2]	83	T11	M8	58	[3]	I; PU	I/O	<b>P4[2]</b> — General purpose digital input/output pin.
							I/O	<b>EMC_A[2]</b> — External memory address line 2.
P4[3]	97	U16	K9	68	[3]	I; PU	I/O	<b>P4[3]</b> — General purpose digital input/output pin.
							I/O	<b>EMC_A[3]</b> — External memory address line 3.
P4[4]	103	R15	P13	72	[3]	I; PU	I/O	<b>P4[4]</b> — General purpose digital input/output pin.
							I/O	<b>EMC_A[4]</b> — External memory address line 4.
P4[5]	107	R16	H10	74	[3]	I; PU	I/O	<b>P4[5]</b> — General purpose digital input/output pin.
							I/O	<b>EMC_A[5]</b> — External memory address line 5.
P4[6]	113	M14	K10	78	[3]	I; PU	I/O	<b>P4[6]</b> — General purpose digital input/output pin.
							I/O	<b>EMC_A[6]</b> — External memory address line 6.
P4[7]	121	L16	K12	84	[3]	I; PU	I/O	<b>P4[7]</b> — General purpose digital input/output pin.
							I/O	<b>EMC_A[7]</b> — External memory address line 7.
P4[8]	127	J17	J11	88	[3]	I; PU	I/O	<b>P4[8]</b> — General purpose digital input/output pin.
							I/O	<b>EMC_A[8]</b> — External memory address line 8.
P4[9]	131	H17	H12	91	[3]	I; PU	I/O	<b>P4[9]</b> — General purpose digital input/output pin.
							I/O	<b>EMC_A[9]</b> — External memory address line 9.
P4[10]	135	G17	G12	94	[3]	I; PU	I/O	<b>P4[10]</b> — General purpose digital input/output pin.
							I/O	<b>EMC_A[10]</b> — External memory address line 10.
P4[11]	145	F14	F11	101	[3]	I; PU	I/O	<b>P4[11]</b> — General purpose digital input/output pin.
							I/O	<b>EMC_A[11]</b> — External memory address line 11.
P4[12]	149	C16	F10	104	[3]	I; PU	I/O	<b>P4[12]</b> — General purpose digital input/output pin.
							I/O	<b>EMC_A[12]</b> — External memory address line 12.
P4[13]	155	B16	B14	108	[3]	I; PU	I/O	<b>P4[13]</b> — General purpose digital input/output pin.
							I/O	<b>EMC_A[13]</b> — External memory address line 13.
P4[14]	159	B15	E8	110	[3]	I; PU	I/O	<b>P4[14]</b> — General purpose digital input/output pin.
							I/O	<b>EMC_A[14]</b> — External memory address line 14.
P4[15]	173	A11	C10	120	[3]	I; PU	I/O	<b>P4[15]</b> — General purpose digital input/output pin.
							I/O	<b>EMC_A[15]</b> — External memory address line 15.
P4[16]	101	U17	N12	-	[3]	I; PU	I/O	<b>P4[16]</b> — General purpose digital input/output pin.
							I/O	<b>EMC_A[16]</b> — External memory address line 16.
P4[17]	104	P14	N13	-	[3]	I; PU	I/O	<b>P4[17]</b> — General purpose digital input/output pin.
							I/O	<b>EMC_A[17]</b> — External memory address line 17.
P4[18]	105	P15	P14	-	[3]	I; PU	I/O	<b>P4[18]</b> — General purpose digital input/output pin.
							I/O	<b>EMC_A[18]</b> — External memory address line 18.

**Table 3. Pin description ...continued**

Not all functions are available on all parts. See [Table 2](#) (Ethernet, USB, LCD, QEI, SD/MMC, DAC pins) and [Table 7](#) (EMC pins).

Symbol	Pin LQFP208	Ball TFBGA208	Ball TFBGA180	Pin LQFP144		Reset state <sup>[1]</sup>	Type <sup>[2]</sup>	Description
P4[19]	111	P16	M14	-	[3]	I; PU	I/O	<b>P4[19]</b> — General purpose digital input/output pin.
							I/O	<b>EMC_A[19]</b> — External memory address line 19.
P4[20]	109	R17	-	-	[3]	I; PU	I/O	<b>P4[20]</b> — General purpose digital input/output pin.
							I/O	<b>EMC_A[20]</b> — External memory address line 20.
							I/O	<b>I2C2_SDA</b> — I <sup>2</sup> C2 data input/output (this pin does not use a specialized I2C pad).
							I/O	<b>SSP1_SCK</b> — Serial Clock for SSP1.
P4[21]	115	M15	-	-	[3]	I; PU	I/O	<b>P4[21]</b> — General purpose digital input/output pin.
							I/O	<b>EMC_A[21]</b> — External memory address line 21.
							I/O	<b>I2C2_SCL</b> — I <sup>2</sup> C2 clock input/output (this pin does not use a specialized I2C pad).
							I/O	<b>SSP1_SSEL</b> — Slave Select for SSP1.
P4[22]	123	K14	-	-	[3]	I; PU	I/O	<b>P4[22]</b> — General purpose digital input/output pin.
							I/O	<b>EMC_A[22]</b> — External memory address line 22.
							O	<b>U2_TXD</b> — Transmitter output for UART2.
							I/O	<b>SSP1_MISO</b> — Master In Slave Out for SSP1.
P4[23]	129	J15	-	-	[3]	I; PU	I/O	<b>P4[23]</b> — General purpose digital input/output pin.
							I/O	<b>EMC_A[23]</b> — External memory address line 23.
							I	<b>U2_RXD</b> — Receiver input for UART2.
							I/O	<b>SSP1_MOSI</b> — Master Out Slave In for SSP1.
P4[24]	183	B8	C8	127	[3]	I; PU	I/O	<b>P4[24]</b> — General purpose digital input/output pin.
							O	<b>EMC_OE</b> — LOW active Output Enable signal.
P4[25]	179	B9	D9	124	[3]	I; PU	I/O	<b>P4[25]</b> — General purpose digital input/output pin.
							O	<b>EMC_WE</b> — LOW active Write Enable signal.
P4[26]	119	L15	K13	-	[3]	I; PU	I/O	<b>P4[26]</b> — General purpose digital input/output pin.
							O	<b>EMC_BLS0</b> — LOW active Byte Lane select signal 0.
P4[27]	139	G15	F14	-	[3]	I; PU	I/O	<b>P4[27]</b> — General purpose digital input/output pin.
							O	<b>EMC_BLS1</b> — LOW active Byte Lane select signal 1.
P4[28]	170	C11	D10	118	[3]	I; PU	I/O	<b>P4[28]</b> — General purpose digital input/output pin.
							O	<b>EMC_BLS2</b> — LOW active Byte Lane select signal 2.
							O	<b>U3_TXD</b> — Transmitter output for UART3.
							O	<b>T2_MAT0</b> — Match output for Timer 2, channel 0.
							-	<b>R</b> — Function reserved.
							O	<b>LCD_VD[6]</b> — LCD data.
							O	<b>LCD_VD[10]</b> — LCD data.
							O	<b>LCD_VD[2]</b> — LCD data.



**Table 3. Pin description ...continued**

Not all functions are available on all parts. See [Table 2](#) (Ethernet, USB, LCD, QEI, SD/MMC, DAC pins) and [Table 7](#) (EMC pins).

Symbol	Pin LQFP208	Ball TFBGA208	Ball TFBGA180	Pin LQFP144		Reset state <sup>[1]</sup>	Type <sup>[2]</sup>	Description
P4[29]	176	B10	B9	122	<a href="#">[3]</a>	I; PU	I/O	<b>P4[29]</b> — General purpose digital input/output pin.
							O	<b>EMC_BLS3</b> — LOW active Byte Lane select signal 3.
							I	<b>U3_RXD</b> — Receiver input for UART3.
							O	<b>T2_MAT1</b> — Match output for Timer 2, channel 1.
							I/O	<b>I2C2_SCL</b> — I <sup>2</sup> C2 clock input/output (this pin does not use a specialized I2C pad).
							O	<b>LCD_VD[7]</b> — LCD data.
							O	<b>LCD_VD[11]</b> — LCD data.
							O	<b>LCD_VD[3]</b> — LCD data.
P4[30]	187	B7	C7	130	<a href="#">[3]</a>	I; PU	I/O <b>P4[30]</b> — General purpose digital input/output pin. O <b>EMC_CS0</b> — LOW active Chip Select 0 signal.	
P4[31]	193	A4	E7	134	<a href="#">[3]</a>	I; PU	I/O <b>P4[31]</b> — General purpose digital input/output pin.	
							O <b>EMC_CS1</b> — LOW active Chip Select 1 signal.	
<b>P5[0] to P5[4]</b>							I/O <b>Port 5:</b> Port 5 is a 5-bit I/O port with individual direction controls for each bit. The operation of port 5 pins depends upon the pin function selected via the pin connect block.	
P5[0]	9	F4	E5	6	<a href="#">[3]</a>	I; PU	I/O <b>P5[0]</b> — General purpose digital input/output pin.	
							I/O <b>EMC_A[24]</b> — External memory address line 24.	
							I/O <b>SSP2_MOSI</b> — Master Out Slave In for SSP2.	
							O <b>T2_MAT2</b> — Match output for Timer 2, channel 2.	
P5[1]	30	J4	H1	21	<a href="#">[3]</a>	I; PU	I/O <b>P5[1]</b> — General purpose digital input/output pin.	
							I/O <b>EMC_A[25]</b> — External memory address line 25.	
							I/O <b>SSP2_MISO</b> — Master In Slave Out for SSP2.	
							O <b>T2_MAT3</b> — Match output for Timer 2, channel 3.	
P5[2]	117	L14	L12	81	<a href="#">[11]</a>	I	I/O <b>P5[2]</b> — General purpose digital input/output pin.	
							-	<b>R</b> — Function reserved.
							-	<b>R</b> — Function reserved.
							O	<b>T3_MAT2</b> — Match output for Timer 3, channel 2.
							-	<b>R</b> — Function reserved.
							I/O	<b>I2C0_SDA</b> — I <sup>2</sup> C0 data input/output (this pin uses a specialized I <sup>2</sup> C pad that supports I <sup>2</sup> C Fast Mode Plus).



**Table 3. Pin description ...continued**

Not all functions are available on all parts. See [Table 2](#) (Ethernet, USB, LCD, QEI, SD/MMC, DAC pins) and [Table 7](#) (EMC pins).

Symbol	Pin LQFP208	Ball TFBGA208	Ball TFBGA180	Pin LQFP144		Reset state <sup>[1]</sup>	Type <sup>[2]</sup>	Description
P5[3]	141	G14	G10	98	<a href="#">[11]</a>	I	I/O	<b>P5[3]</b> — General purpose digital input/output pin.
							-	R — Function reserved.
							-	R — Function reserved.
							-	R — Function reserved.
							I	<b>U4_RXD</b> — Receiver input for USART4.
I/O	<b>I2C0_SCL</b> — I <sup>2</sup> C0 clock input/output (this pin uses a specialized I <sup>2</sup> C pad that supports I <sup>2</sup> C Fast Mode Plus).							
P5[4]	206	C3	C4	143	<a href="#">[3]</a>	I; PU	I/O	<b>P5[4]</b> — General purpose digital input/output pin.
							O	<b>U0_OE</b> — RS-485/EIA-485 output enable signal for UART0.
							-	R — Function reserved.
							O	<b>T3_MAT3</b> — Match output for Timer 3, channel 3.
O	<b>U4_TXD</b> — Transmitter output for USART4 (input/output in smart card mode).							
JTAG_TDO (SWO)	2	D3	B1	1	<a href="#">[3]</a>	O	O	Test Data Out for JTAG interface. Also used as Serial wire trace output.
JTAG_TDI	4	C2	C3	3	<a href="#">[3]</a>	I; PU	I	Test Data In for JTAG interface.
JTAG_TMS (SWDIO)	6	E3	C2	4	<a href="#">[3]</a>	I; PU	I	Test Mode Select for JTAG interface. Also used as Serial wire debug data input/output.
JTAG_TRST	8	D1	D4	5	<a href="#">[3]</a>	I; PU	I	Test Reset for JTAG interface.
JTAG_TCK (SWDCLK)	10	E2	D2	7	<a href="#">[3]</a>	i	I	Test Clock for JTAG interface. This clock must be slower than 1/6 of the CPU clock (CCLK) for the JTAG interface to operate. Also used as serial wire clock.
RESET	35	M2	J1	24	<a href="#">[12]</a>	I; PU	I	External reset input with 20 ns glitch filter. A LOW-going pulse as short as 50 ns on this pin resets the device, causing I/O ports and peripherals to take on their default states, and processor execution to begin at address 0. This pin also serves as the debug select input. LOW level selects the JTAG boundary scan. HIGH level selects the ARM SWD debug mode.
RSTOUT	29	K3	H2	20	<a href="#">[3]</a>	OH	O	Reset status output. A LOW output on this pin indicates that the device is in the reset state for any reason. This reflects the RESET input pin and all internal reset sources.
RTC_ALARM	37	N1	H5	26	<a href="#">[13]</a>	OL	O	RTC controlled output. This pin has a low drive strength and is powered by VBAT. It is driven HIGH when an RTC alarm is generated.
RTCX1	34	K2	J2	23	<a href="#">[14]</a> <a href="#">[15]</a>	-	I	Input to the RTC 32 kHz ultra-low power oscillator circuit.
RTCX2	36	L2	J3	25	<a href="#">[14]</a> <a href="#">[15]</a>	-	O	Output from the RTC 32 kHz ultra-low power oscillator circuit.
USB_D-2	52	U1	N2	37	<a href="#">[9]</a>	-	I/O	USB port 2 bidirectional D- line.

**Table 3. Pin description ...continued**

Not all functions are available on all parts. See [Table 2](#) (Ethernet, USB, LCD, QEI, SD/MMC, DAC pins) and [Table 7](#) (EMC pins).

Symbol	Pin LQFP208	Ball TFBGA208	Ball TFBGA180	Pin LQFP144		Reset state <sup>[1]</sup>	Type <sup>[2]</sup>	Description
VBAT	38	M3	K1	27		-	I	RTC power supply: 3.0 V on this pin supplies power to the RTC.
V <sub>DD(REG)(3V3)</sub>	26, 86, 174	H4, P11, D11	G1, N9, E9	18, 60, 121		-	S	3.3 V regulator supply voltage: This is the power supply for the on-chip voltage regulator that supplies internal logic.
V <sub>DDA</sub>	20	G4	F2	14		-	S	Analog 3.3 V pad supply voltage: This can be connected to the same supply as V <sub>DD(3V3)</sub> but should be isolated to minimize noise and error. This voltage is used to power the ADC and DAC. <b>Note: This pin should be tied to 3.3 V if the ADC and DAC are not used.</b>
V <sub>DD(3V3)</sub>	15, 60, 71, 89, 112, 125, 146, 165, 181, 198	G3, P6, P8, U13, P17, K16, C17, B13, C9, D7	E2, L4, K8, L11, J14, E12, E10, C5	41, 62, 77, 102, 114, 138		-	S	3.3 V supply voltage: This is the power supply voltage for I/O other than pins in the VBAT domain.
VREFP	24	K1	G2	17		-	S	ADC positive reference voltage: This should be the same voltage as V <sub>DDA</sub> , but should be isolated to minimize noise and error. The voltage level on this pin is used as a reference for ADC and DAC. <b>Note: This pin should be tied to 3.3 V if the ADC and DAC are not used.</b>
V <sub>SS</sub>	33, 63, 77, 93, 114, 133, 148, 169, 189, 200	L3, T5, R9, P12, N16, H14, E15, A12, B6, A2	H4, P4, L9, L13, G13, D13, C11, B4	44, 65, 79, 103, 117, 139		-	G	Ground: 0 V reference for digital IO pins.
V <sub>SSREG</sub>	32, 84, 172	D12, K4, P10	H3, L8, A10	22, 59, 119		-	G	Ground: 0 V reference for internal logic.
V <sub>SSA</sub>	22	J2	F3	15		-	G	Analog ground: 0 V power supply and reference for the ADC and DAC. This should be the same voltage as V <sub>SS</sub> , but should be isolated to minimize noise and error.
XTAL1	44	M4	L2	31	<a href="#">[14]</a> <a href="#">[16]</a>	-	I	Input to the oscillator circuit and internal clock generator circuits.
XTAL2	46	N4	K4	33	<a href="#">[14]</a> <a href="#">[16]</a>	-	O	Output from the oscillator amplifier.

- [1] PU = internal pull-up enabled (for  $V_{DD(REG)(3V3)} = 3.3\text{ V}$ , pulled up to 3.3 V); IA = inactive, no pull-up/down enabled; F = floating; floating pins, if not used, should be tied to ground or power to minimize power consumption.
- [2] I = Input; O = Output; OL = Output driving LOW; G = Ground; S = Supply.
- [3] 5 V tolerant pad (5 V tolerant if  $V_{DD(3V3)}$  present; if  $V_{DD(3V3)}$  not present, do not exceed 3.6 V) providing digital I/O functions with TTL levels and hysteresis.
- [4] 5 V tolerant standard pad (5 V tolerant if  $V_{DD(3V3)}$  present; if  $V_{DD(3V3)}$  not present, do not exceed 3.6 V) providing digital I/O functions with TTL levels and hysteresis. This pad can be powered by VBAT.
- [5] 5 V tolerant pad (5 V tolerant if  $V_{DD(3V3)}$  present; if  $V_{DD(3V3)}$  not present or configured for an analog function, do not exceed 3.6 V) providing digital I/O functions with TTL levels and hysteresis and analog input. When configured as a ADC input, digital section of the pad is disabled.
- [6] 5 V tolerant fast pad (5 V tolerant if  $V_{DD(3V3)}$  present; if  $V_{DD(3V3)}$  not present, do not exceed 3.6 V) providing digital I/O functions with TTL levels and hysteresis.
- [7] 5 V tolerant pad (5 V tolerant if  $V_{DD(3V3)}$  present; if  $V_{DD(3V3)}$  not present or configured for an analog function, do not exceed 3.6 V) providing digital I/O with TTL levels and hysteresis and analog output function. When configured as the DAC output, digital section of the pad is disabled.
- [8] Open-drain 5 V tolerant digital I/O pad, compatible with I<sup>2</sup>C-bus 400 kHz specification. It requires an external pull-up to provide output functionality. When power is switched off, this pin connected to the I<sup>2</sup>C-bus is floating and does not disturb the I<sup>2</sup>C lines. Open-drain configuration applies to all functions on this pin.
- [9] Not 5 V tolerant. Pad provides digital I/O and USB functions. It is designed in accordance with the *USB specification, revision 2.0* (Full-speed and Low-speed mode only).
- [10] 5 V tolerant pad (5 V tolerant if  $V_{DD(3V3)}$  present; if  $V_{DD(3V3)}$  not present, do not exceed 3.6 V) with 5 ns glitch filter providing digital I/O functions with TTL levels and hysteresis.
- [11] Open-drain 5 V tolerant digital I/O pad, compatible with I<sup>2</sup>C-bus 1 MHz specification. It requires an external pull-up to provide output functionality. When power is switched off, this pin connected to the I<sup>2</sup>C-bus is floating and does not disturb the I<sup>2</sup>C lines. Open-drain configuration applies to all functions on this pin.
- [12] 5 V tolerant pad (5 V tolerant if  $V_{DD(3V3)}$  present; if  $V_{DD(3V3)}$  not present, do not exceed 3.6 V) with 20 ns glitch filter providing digital I/O function with TTL levels and hysteresis.
- [13] This pad can be powered from VBAT.
- [14] Pad provides special analog functionality. A 32 kHz crystal oscillator must be used with the RTC. An external clock (32 kHz) can't be used to drive the RTCX1 pin.
- [15] If the RTC is not used, these pins can be left floating.
- [16] When the main oscillator is not used, connect XTAL1 and XTAL2 as follows: XTAL1 can be left floating or can be grounded (grounding is preferred to reduce susceptibility to noise). XTAL2 should be left floating.

**Table 4. Pin allocation table TFBGA208**

Not all functions are available on all parts. See [Table 2](#) and [Table 7](#) (EMC pins).

Ball	Symbol	Ball	Symbol	Ball	Symbol	Ball	Symbol
<b>Row A</b>							
1	P3[27]	2	V <sub>SS</sub>	3	P1[0]	4	P4[31]
5	P1[4]	6	P1[9]	7	P1[14]	8	P1[15]
9	P1[17]	10	P1[3]	11	P4[15]	12	V <sub>SS</sub>
13	P3[20]	14	P1[11]	15	P0[8]	16	P1[12]
17	P1[5]		-		-		-
<b>Row B</b>							
1	P3[2]	2	P3[10]	3	P3[1]	4	P3[0]
5	P1[1]	6	V <sub>SS</sub>	7	P4[30]	8	P4[24]
9	P4[25]	10	P4[29]	11	P1[6]	12	P0[4]
13	V <sub>DD(3V3)</sub>	14	P3[19]	15	P4[14]	16	P4[13]
17	P2[0]		-		-		-
<b>Row C</b>							

**Table 4. Pin allocation table TFBGA208**

Not all functions are available on all parts. See [Table 2](#) and [Table 7](#) (EMC pins).

Ball	Symbol	Ball	Symbol	Ball	Symbol	Ball	Symbol
1	P3[13]	2	JTAG_TDI	3	P5[4]	4	P0[2]
5	P3[9]	6	P3[22]	7	P1[8]	8	P1[10]
9	V <sub>DD(3V3)</sub>	10	P3[21]	11	P4[28]	12	P0[5]
13	P0[7]	14	P0[9]	15	P3[18]	16	P4[12]
17	V <sub>DD(3V3)</sub>		-		-		-
<b>Row D</b>							
1	JTAG_TRST	2	P3[28]	3	JTAG_TDO (SWO)	4	P3[12]
5	P3[11]	6	P0[3]	7	V <sub>DD(3V3)</sub>	8	P3[8]
9	P1[2]	10	P1[16]	11	V <sub>DD(REG)(3V3)</sub>	12	VSSREG
13	P0[6]	14	P1[7]	15	P2[2]	16	P1[13]
17	P2[4]		-		-		-
<b>Row E</b>							
1	P0[26]	2	JTAG_TCK (SWDCLK)	3	JTAG_TMS (SWDIO)	4	P3[3]
5	-	6	-	7	-	8	-
9	-	10	-	11	-	12	-
13	-	14	P2[1]	15	V <sub>SS</sub>	16	P2[3]
17	P2[6]		-		-		-
<b>Row F</b>							
1	P0[25]	2	P3[4]	3	P3[29]	4	P5[0]
5	-	6	-	7	-	8	-
9	-	10	-	11	-	12	-
13	-	14	P4[11]	15	P3[17]	16	P2[5]
17	P3[16]		-		-		-
<b>Row G</b>							
1	P3[5]	2	P0[24]	3	V <sub>DD(3V3)</sub>	4	V <sub>DDA</sub>
5	-	6	-	7	-	8	-
9	-	10	-	11	-	12	-
13	-	14	P5[3]	15	P4[27]	16	P2[7]
17	P4[10]		-		-		-
<b>Row H</b>							
1	P0[23]	2	P3[14]	3	P3[30]	4	V <sub>DD(REG)(3V3)</sub>
5	-	6	-	7	-	8	-
9	-	10	-	11	-	12	-
13	-	14	V <sub>SS</sub>	15	P2[8]	16	P2[9]
17	P4[9]		-		-		-
<b>Row J</b>							
1	P3[6]	2	V <sub>SSA</sub>	3	P3[31]	4	P5[1]
5	-	6	-	7	-	8	-
9	-	10	-	11	-	12	-

**Table 4. Pin allocation table TFBGA208**

Not all functions are available on all parts. See [Table 2](#) and [Table 7](#) (EMC pins).

Ball	Symbol	Ball	Symbol	Ball	Symbol	Ball	Symbol
13		14	P0[16]	15	P4[23]	16	P0[15]
17	P4[8]		-		-		-
<b>Row K</b>							
1	VREFP	2	RTCX1	3	RSTOUT	4	VSSREG
13	-	14	P4[22]	15	P0[18]	16	V <sub>DD(3V3)</sub>
17	P0[17]		-		-		-
<b>Row L</b>							
1	P3[7]	2	RTCX2	3	V <sub>SS</sub>	4	P2[30]
5	-	6	-	7	-	8	-
9	-	10	-	11	-	12	-
13	-	14	P5[2]	15	P4[26]	16	P4[7]
17	P0[19]		-		-		-
<b>Row M</b>							
1	P3[15]	2	$\overline{\text{RESET}}$	3	VBAT	4	XTAL1
5	-	6	-	7	-	8	-
9	-	10	-	11	-	12	-
13	-	14	P4[6]	15	P4[21]	16	P0[21]
17	P0[20]		-		-		-
<b>Row N</b>							
1	RTC_ALARM	2	P2[31]	3	P2[29]	4	XTAL2
5	-	6	-	7	-	8	-
9	-	10	-	11	-	12	-
13	-	14	P2[12]	15	P2[10]	16	V <sub>SS</sub>
17	P0[22]		-		-		-
<b>Row P</b>							
1	P1[31]	2	P1[30]	3	P2[27]	4	P2[28]
5	P2[24]	6	V <sub>DD(3V3)</sub>	7	P1[18]	8	V <sub>DD(3V3)</sub>
9	P1[23]	10	VSSREG	11	V <sub>DD(REG)(3V3)</sub>	12	V <sub>SS</sub>
13	P2[15]	14	P4[17]	15	P4[18]	16	P4[19]
17	V <sub>DD(3V3)</sub>		-		-		-
<b>Row R</b>							
1	P0[12]	2	P0[13]	3	P0[28]	4	P2[25]
5	P3[24]	6	P0[30]	7	P2[19]	8	P1[21]
9	V <sub>SS</sub>	10	P1[26]	11	P2[16]	12	P2[14]
13	P2[17]	14	P0[11]	15	P4[4]	16	P4[5]
17	P4[20]		-		-		-
<b>Row T</b>							
1	P0[27]	2	P0[31]	3	P3[26]	4	P2[26]
5	V <sub>SS</sub>	6	P3[23]	7	P0[14]	8	P2[20]
9	P1[24]	10	P1[25]	11	P4[2]	12	P1[27]

**Table 4. Pin allocation table TFBGA208**

Not all functions are available on all parts. See [Table 2](#) and [Table 7](#) (EMC pins).

Ball	Symbol	Ball	Symbol	Ball	Symbol	Ball	Symbol
13	P1[28]	14	P0[1]	15	P0[10]	16	P2[13]
17	P2[11]		-		-		-
<b>Row U</b>							
1	USB_D-2	2	P3[25]	3	P2[18]	4	P0[29]
5	P2[23]	6	P1[19]	7	P1[20]	8	P1[22]
9	P4[0]	10	P4[1]	11	P2[21]	12	P2[22]
13	V <sub>DD(3V3)</sub>	14	P1[29]	15	P0[0]	16	P4[3]
17	P4[16]		-		-		-

**Table 5. Pin allocation table TFBGA180**

Not all functions are available on all parts. See [Table 2](#) and [Table 7](#) (EMC pins).

Ball	Symbol	Ball	Symbol	Ball	Symbol	Ball	Symbol
<b>Row A</b>							
5	P1[1]	6	P3[8]	7	P1[10]	8	P1[15]
9	P1[3]	10	V <sub>SSREG</sub>	11	P0[4]	12	P1[11]
13	P0[9]	14	P1[12]		-		-
<b>Row B</b>							
1	JTAG_TDO (SWO)	2	P3[11]	3	P3[10]	4	V <sub>SS</sub>
5	P1[0]	6	P1[8]	7	P1[2]	8	P1[16]
9	P4[29]	10	P1[6]	11	P0[5]	12	P0[7]
13	P1[5]	14	P4[13]		-		-
<b>Row C</b>							
1	P3[13]	2	JTAG_TMS (SWDIO)	3	JTAG_TDI	4	P5[4]
5	V <sub>DD(3V3)</sub>	6	P1[4]	7	P4[30]	8	P4[24]
9	P1[17]	10	P4[15]	11	V <sub>SS</sub>	12	P0[8]
13	P1[7]	14	P2[1]		-		-
<b>Row D</b>							
1	P0[26]	2	JTAG_TCK (SWDCLK)	3	P3[4]	4	JTAG_TRST
5	P0[2]	6	P3[0]	7	P1[9]	8	P1[14]
9	P4[25]	10	P4[28]	11	P0[6]	12	P2[0]
13	V <sub>SS</sub>	14	P1[13]		-		-
<b>Row E</b>							
1	P0[24]	2	V <sub>DD(3V3)</sub>	3	P3[5]	4	P0[25]
5	P5[0]	6	P3[1]	7	P4[31]	8	P4[14]
9	V <sub>DD(REG)(3V3)</sub>	10	V <sub>DD(3V3)</sub>	11	P2[2]	12	V <sub>DD(3V3)</sub>
13	P2[3]	14	P2[4]		-		-
<b>Row F</b>							
1	P3[14]	2	V <sub>DDA</sub>	3	V <sub>SSA</sub>	4	P3[6]
5	P0[23]	6	-	7	-	8	-
9	-	10	P4[12]	11	P4[11]	12	P2[5]

**Table 5. Pin allocation table TFBGA180**

Not all functions are available on all parts. See [Table 2](#) and [Table 7](#) (EMC pins).

Ball	Symbol	Ball	Symbol	Ball	Symbol	Ball	Symbol
13	P2[6]	14	P4[27]		-		-
<b>Row G</b>							
1	V <sub>DD(REG)(3V3)</sub>	2	VREFP	3	P3[7]	4	P3[15]
5	P3[3]	6	-	7	-	8	-
9	-	10	P5[3]	11	P2[7]	12	P4[10]
13	V <sub>SS</sub>	14	P2[8]		-		-
<b>Row H</b>							
1	P5[1]	2	$\overline{\text{RSTOUT}}$	3	V <sub>SSREG</sub>	4	V <sub>SS</sub>
5	RTC_ALARM	6	-	7	-	8	-
9	-	10	P4[5]	11	P2[9]	12	P4[9]
13	P0[15]	14	P0[16]		-		-

**Table 5. Pin allocation table TFBGA180**

Not all functions are available on all parts. See [Table 2](#) and [Table 7](#) (EMC pins).

Ball	Symbol	Ball	Symbol	Ball	Symbol	Ball	Symbol
<b>Row J</b>							
1	RESET	2	RTCX1	3	RTCX2	4	P0[12]
5	P0[13]	6	-	7	-	8	-
9	-	10	P0[19]	11	P4[8]	12	P0[17]
13	P0[18]	14	V <sub>DD(3V3)</sub>		-		-
<b>Row K</b>							
1	VBAT	2	P1[31]	3	P1[30]	4	XTAL2
5	P0[29]	6	P1[20]	7	P3[26]	8	V <sub>DD(3V3)</sub>
9	P4[3]	10	P4[6]	11	P0[21]	12	P4[7]
13	P4[26]	14	P0[20]		-		-
<b>Row L</b>							
1	P2[29]	2	XTAL1	3	P0[27]	4	V <sub>DD(3V3)</sub>
5	P1[18]	6	P4[0]	7	P1[25]	8	V <sub>SSREG</sub>
9	V <sub>SS</sub>	10	P0[10]	11	V <sub>DD(3V3)</sub>	12	P5[2]
13	V <sub>SS</sub>	14	P0[22]		-		-
<b>Row M</b>							
1	P0[28]	2	P2[28]	3	P3[25]	4	P3[23]
5	P0[14]	6	P1[22]	7	P4[1]	8	P4[2]
9	P1[27]	10	P0[0]	11	P2[13]	12	P2[11]
13	P2[10]	14	P4[19]		-		-
<b>Row N</b>							
1	P0[31]	2	USB_D-2	3	P3[24]	4	P0[30]
5	P2[19]	6	P1[21]	7	P1[23]	8	P2[21]
9	V <sub>DD(REG)(3V3)</sub>	10	P1[29]	11	P0[1]	12	P4[16]
13	P4[17]	14	P2[12]		-		-
<b>Row P</b>							
1	P2[24]	2	P2[25]	3	P2[18]	4	V <sub>SS</sub>
5	P1[19]	6	P2[20]	7	P1[24]	8	P1[26]
9	P2[16]	10	P1[28]	11	P2[17]	12	P0[11]
13	P4[4]	14	P4[18]		-		-

## 7. Functional description

### 7.1 Architectural overview

The ARM Cortex-M3 includes three AHB-Lite buses: the system bus, the I-code bus, and the D-code bus. The I-code and D-code core buses are faster than the system bus and are used similarly to Tightly Coupled Memory (TCM) interfaces: one bus dedicated for instruction fetch (I-code) and one bus for data access (D-code). The use of two core buses allows for simultaneous operations if concurrent operations target different devices.



The LPC178x/7x use a multi-layer AHB matrix to connect the ARM Cortex-M3 buses and other bus masters to peripherals in a flexible manner that optimizes performance by allowing peripherals that are on different slaves ports of the matrix to be accessed simultaneously by different bus masters.

## 7.2 ARM Cortex-M3 processor

The ARM Cortex-M3 is a general purpose, 32-bit microprocessor, which offers high performance and very low power consumption. The ARM Cortex-M3 offers many new features, including a Thumb-2 instruction set, low interrupt latency, hardware division, hardware single-cycle multiply, interruptable/continuable multiple load and store instructions, automatic state save and restore for interrupts, tightly integrated interrupt controller with wake-up interrupt controller, and multiple core buses capable of simultaneous accesses.

Pipeline techniques are employed so that all parts of the processing and memory systems can operate continuously. Typically, while one instruction is being executed, its successor is being decoded, and a third instruction is being fetched from memory.

The ARM Cortex-M3 processor is described in detail in the Cortex-M3 Technical Reference Manual that can be found on official ARM website.

## 7.3 On-chip flash program memory

The LPC178x/7x contain up to 512 kB of on-chip flash program memory. A new two-port flash accelerator maximizes performance for use with the two fast AHB-Lite buses.

## 7.4 EEPROM

The LPC178x/7x contains up to 4032 byte of on-chip byte-erasable and byte-programmable EEPROM data memory.

## 7.5 On-chip SRAM

The LPC178x/7x contain a total of up to 96 kB on-chip static RAM data memory. This includes the main 64 kB SRAM, accessible by the CPU and DMA controller on a higher-speed bus, and up to two additional 16 kB each SRAM blocks situated on a separate slave port on the AHB multilayer matrix.

This architecture allows CPU and DMA accesses to be spread over three separate RAMs that can be accessed simultaneously.

## 7.6 Memory Protection Unit (MPU)

The LPC178x/7x have a Memory Protection Unit (MPU) which can be used to improve the reliability of an embedded system by protecting critical data within the user application.

The MPU allows separating processing tasks by disallowing access to each other's data, disabling access to memory regions, allowing memory regions to be defined as read-only and detecting unexpected memory accesses that could potentially break the system.

The MPU separates the memory into distinct regions and implements protection by preventing disallowed accesses. The MPU supports up to eight regions each of which can be divided into eight subregions. Accesses to memory locations that are not defined in the MPU regions, or not permitted by the region setting, will cause the Memory Management Fault exception to take place.

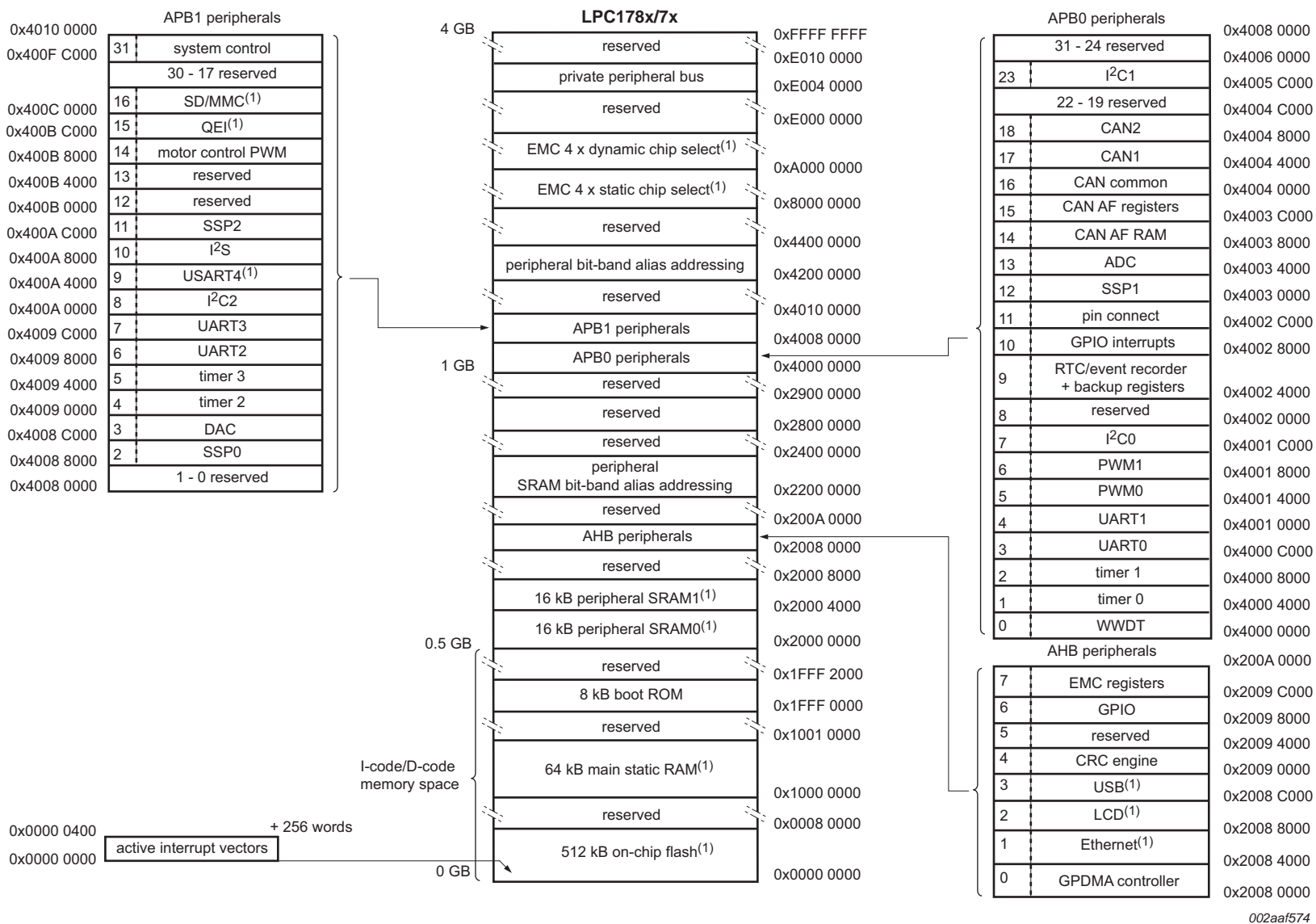
## 7.7 Memory map

Table 6. LPC178x/177x memory usage and details

Address range	General Use	Address range details and description	
0x0000 0000 to 0x1FFF FFFF	On-chip non-volatile memory	0x0000 0000 - 0x0007 FFFF	For devices with 512 kB of flash memory.
		0x0000 0000 - 0x0003 FFFF	For devices with 256 kB of flash memory.
		0x0000 0000 - 0x0001 FFFF	For devices with 128 kB of flash memory.
		0x0000 0000 - 0x0000 FFFF	For devices with 64 kB of flash memory.
	On-chip main SRAM	0x1000 0000 - 0x1000 FFFF	For devices with 64 kB of main SRAM.
		0x1000 0000 - 0x1000 7FFF	For devices with 32 kB of main SRAM.
		0x1000 0000 - 0x1000 3FFF	For devices with 16 kB of main SRAM.
Boot ROM	0x1FFF 0000 - 0x1FFF 1FFF	8 kB Boot ROM with flash services.	
0x2000 0000 to 0x3FFF FFFF	On-chip SRAM (typically used for peripheral data)	0x2000 0000 - 0x2000 1FFF	Peripheral RAM - bank 0 (first 8 kB)
		0x2000 2000 - 0x2000 3FFF	Peripheral RAM - bank 0 (second 8 kB)
		0x2000 4000 - 0x2000 7FFF	Peripheral RAM - bank 1 (16 kB)
AHB peripherals	0x2008 0000 - 0x200B FFFF	See <a href="#">Figure 6</a> for details	
0x4000 0000 to 0x7FFF FFFF	APB Peripherals	0x4000 0000 - 0x4007 FFFF	APB0 Peripherals, up to 32 peripheral blocks of 16 kB each.
		0x4008 0000 - 0x400F FFFF	APB1 Peripherals, up to 32 peripheral blocks of 16 kB each.
0x8000 0000 to 0xDFFF FFFF	Off-chip Memory via the External Memory Controller	Four static memory chip selects:	
		0x8000 0000 - 0x83FF FFFF	Static memory chip select 0 (up to 64 MB)
		0x9000 0000 - 0x93FF FFFF	Static memory chip select 1 (up to 64 MB)
		0x9800 0000 - 0x9BFF FFFF	Static memory chip select 2 (up to 64 MB)
		0x9C00 0000 - 0x9FFF FFFF	Static memory chip select 3 (up to 64 MB)
		Four dynamic memory chip selects:	
		0xA000 0000 - 0xAFFF FFFF	Dynamic memory chip select 0 (up to 256MB)
		0xB000 0000 - 0xBFFF FFFF	Dynamic memory chip select 1 (up to 256MB)
		0xC000 0000 - 0xCFFF FFFF	Dynamic memory chip select 2 (up to 256MB)
		0xD000 0000 - 0xDFFF FFFF	Dynamic memory chip select 3 (up to 256MB)
0xE000 0000 to 0xE00F FFFF	Cortex-M3 Private Peripheral Bus	0xE000 0000 - 0xE00F FFFF	Cortex-M3 related functions, includes the NVIC and System Tick Timer.

The LPC178x/7x incorporate several distinct memory regions, shown in the following figures. [Figure 6](#) shows the overall map of the entire address space from the user program viewpoint following reset. The interrupt vector area supports address remapping.

The AHB peripheral area is 2 MB in size, and is divided to allow for up to 128 peripherals. The APB peripheral area is 1 MB in size and is divided to allow for up to 64 peripherals. Each peripheral of either type is allocated 16 kB of space. This allows simplifying the address decoding for each peripheral.



(1) Not available on all parts. See [Table 2](#) and [Table 6](#).

Fig 6. LPC178x/7x memory map

## 7.8 Nested Vectored Interrupt Controller (NVIC)

The NVIC is an integral part of the Cortex-M3. The tight coupling to the CPU allows for low interrupt latency and efficient processing of late arriving interrupts.

### 7.8.1 Features

- Controls system exceptions and peripheral interrupts.
- On the LPC178x/7x, the NVIC supports 40 vectored interrupts.
- 32 programmable interrupt priority levels, with hardware priority level masking.
- Relocatable vector table.
- Non-Maskable Interrupt (NMI).
- Software interrupt generation.

### 7.8.2 Interrupt sources

Each peripheral device has one interrupt line connected to the NVIC but may have several interrupt flags. Individual interrupt flags may also represent more than one interrupt source.

Any pin on port 0 and port 2 regardless of the selected function can be programmed to generate an interrupt on a rising edge, a falling edge, or both.

## 7.9 Pin connect block

The pin connect block allows selected pins of the microcontroller to have more than one function. Configuration registers control the multiplexers to allow connection between the pin and the on-chip peripherals.

Peripherals should be connected to the appropriate pins prior to being activated and prior to any related interrupt(s) being enabled. Activity of any enabled peripheral function that is not mapped to a related pin should be considered undefined.

Most pins can also be configured as open-drain outputs or to have a pull-up, pull-down, or no resistor enabled.

## 7.10 External memory controller

**Remark:** Supported memory size and type and EMC bus width vary for different parts (see [Table 2](#)). The EMC pin configuration for each part is shown in [Table 7](#).

Table 7. External memory controller pin configuration

Part	Data bus pins	Address bus pins	Control pins	
			SRAM	SDRAM
LPC1788FBD208	EMC_D[31:0]	EMC_A[25:0]	EMC_BLS[3:0], EMC_CS[3:0], EMC_OE, EMC_WE	EMC_RAS, EMC_CAS, EMC_DYCS[3:0], EMC_CLK[1:0], EMC_CKE[3:0], EMC_DQM[3:0]
LPC1788FET208	EMC_D[31:0]	EMC_A[25:0]	EMC_BLS[3:0], EMC_CS[3:0], EMC_OE, EMC_WE	EMC_RAS, EMC_CAS, EMC_DYCS[3:0], EMC_CLK[1:0], EMC_CKE[3:0], EMC_DQM[3:0]
LPC1788FET180	EMC_D[15:0]	EMC_A[19:0]	EMC_BLS[1:0], EMC_CS[1:0], EMC_OE, EMC_WE	EMC_RAS, EMC_CAS, EMC_DYCS[1:0], EMC_CLK[1:0], EMC_CKE[1:0], EMC_DQM[1:0]
LPC1788FBD144	EMC_D[7:0]	EMC_A[15:0]	EMC_BLS[3:2], EMC_CS[1:0], EMC_OE, EMC_WE	not available
LPC1787FBD208	EMC_D[31:0]	EMC_A[25:0]	EMC_BLS[3:0], EMC_CS[3:0], EMC_OE, EMC_WE	EMC_RAS, EMC_CAS, EMC_DYCS[3:0], EMC_CLK[1:0], EMC_CKE[3:0], EMC_DQM[3:0]
LPC1786FBD208	EMC_D[31:0]	EMC_A[25:0]	EMC_BLS[3:0], EMC_CS[3:0], EMC_OE, EMC_WE	EMC_RAS, EMC_CAS, EMC_DYCS[3:0], EMC_CLK[1:0], EMC_CKE[3:0], EMC_DQM[3:0]
LPC1785FBD208	EMC_D[31:0]	EMC_A[25:0]	EMC_BLS[3:0], EMC_CS[3:0], EMC_OE, EMC_WE	EMC_RAS, EMC_CAS, EMC_DYCS[3:0], EMC_CLK[1:0], EMC_CKE[3:0], EMC_DQM[3:0]
LPC1778FBD208	EMC_D[31:0]	EMC_A[25:0]	EMC_BLS[3:0], EMC_CS[3:0], EMC_OE, EMC_WE	EMC_RAS, EMC_CAS, EMC_DYCS[3:0], EMC_CLK[1:0], EMC_CKE[3:0], EMC_DQM[3:0]
LPC1778FET208	EMC_D[31:0]	EMC_A[25:0]	EMC_BLS[3:0], EMC_CS[3:0], EMC_OE, EMC_WE	EMC_RAS, EMC_CAS, EMC_DYCS[3:0], EMC_CLK[1:0], EMC_CKE[3:0], EMC_DQM[3:0]
LPC1778FET180	EMC_D[15:0]	EMC_A[19:0]	EMC_BLS[1:0], EMC_CS[1:0], EMC_OE, EMC_WE	EMC_RAS, EMC_CAS, EMC_DYCS[1:0], EMC_CLK[1:0], EMC_CKE[1:0], EMC_DQM[1:0]
LPC1778FBD144	EMC_D[7:0]	EMC_A[15:0]	EMC_CS[1:0], EMC_OE, EMC_WE	not available
LPC1777FBD208	EMC_D[31:0]	EMC_A[25:0]	EMC_BLS[3:0], EMC_CS[3:0], EMC_OE, EMC_WE	EMC_RAS, EMC_CAS, EMC_DYCS[3:0], EMC_CLK[1:0], EMC_CKE[3:0], EMC_DQM[3:0]
LPC1776FBD208	EMC_D[31:0]	EMC_A[25:0]	EMC_BLS[3:0], EMC_CS[3:0], EMC_OE, EMC_WE	EMC_RAS, EMC_CAS, EMC_DYCS[3:0], EMC_CLK[1:0], EMC_CKE[3:0], EMC_DQM[3:0]
LPC1776FET180	EMC_D[15:0]	EMC_A[19:0]	EMC_BLS[3:0], EMC_CS[3:0], EMC_OE, EMC_WE	EMC_RAS, EMC_CAS, EMC_DYCS[1:0], EMC_CLK[1:0], EMC_CKE[1:0], EMC_DQM[1:0]
LPC1774FBD208	EMC_D[31:0]	EMC_A[25:0]	EMC_BLS[3:0], EMC_CS[3:0], EMC_OE, EMC_WE	EMC_RAS, EMC_CAS, EMC_DYCS[3:0], EMC_CLK[1:0], EMC_CKE[3:0], EMC_DQM[3:0]
LPC1774FBD144	EMC_D[7:0]	EMC_A[15:0]	EMC_CS[1:0], EMC_OE, EMC_WE	not available

The LPC178x/7x EMC is an ARM PrimeCell MultiPort Memory Controller peripheral offering support for asynchronous static memory devices such as RAM, ROM, and flash. In addition, it can be used as an interface with off-chip memory-mapped devices and peripherals. The EMC is an Advanced Microcontroller Bus Architecture (AMBA) compliant peripheral.

See [Table 6](#) for EMC memory access.

### 7.10.1 Features

- Dynamic memory interface support including single data rate SDRAM.
- Asynchronous static memory device support including RAM, ROM, and flash, with or without asynchronous page mode.
- Low transaction latency.
- Read and write buffers to reduce latency and to improve performance.
- 8/16/32 data and 16/20/26 address lines wide static memory support.
- 16 bit and 32 bit wide chip select SDRAM memory support.
- Static memory features include:
  - Asynchronous page mode read.
  - Programmable Wait States.
  - Bus turnaround delay.
  - Output enable and write enable delays.
  - Extended wait.
- Four chip selects for synchronous memory and four chip selects for static memory devices.
- Power-saving modes dynamically control EMC\_CKE and EMC\_CLK outputs to SDRAMs.
- Dynamic memory self-refresh mode controlled by software.
- Controller supports 2048 (A0 to A10), 4096 (A0 to A11), and 8192 (A0 to A12) row address synchronous memory parts. That is typical 512 MB, 256 MB, and 128 MB parts, with 4, 8, 16, or 32 data bits per device.
- Separate reset domains allow the for auto-refresh through a chip reset if desired.

**Note:** Synchronous static memory devices (synchronous burst mode) are not supported.

### 7.11 General purpose DMA controller

The GPDMA is an AMBA AHB compliant peripheral allowing selected peripherals to have DMA support.

The GPDMA enables peripheral-to-memory, memory-to-peripheral, peripheral-to-peripheral, and memory-to-memory transactions. The source and destination areas can each be either a memory region or a peripheral and can be accessed through the AHB master. The GPDMA controller allows data transfers between the various on-chip SRAM areas and supports the SD/MMC card interface, all SSPs, the I<sup>2</sup>S, all UARTs, the A/D Converter, and the D/A Converter peripherals. DMA can also be triggered by selected timer match conditions. Memory-to-memory transfers and transfers to or from GPIO are supported.

### 7.11.1 Features

- Eight DMA channels. Each channel can support an unidirectional transfer.
- 16 DMA request lines.
- Single DMA and burst DMA request signals. Each peripheral connected to the DMA Controller can assert either a burst DMA request or a single DMA request. The DMA burst size is set by programming the DMA Controller.
- Memory-to-memory, memory-to-peripheral, peripheral-to-memory, and peripheral-to-peripheral transfers are supported.
- Scatter or gather DMA is supported through the use of linked lists. This means that the source and destination areas do not have to occupy contiguous areas of memory.
- Hardware DMA channel priority.
- AHB slave DMA programming interface. The DMA Controller is programmed by writing to the DMA control registers over the AHB slave interface.
- One AHB bus master for transferring data. The interface transfers data when a DMA request goes active.
- 32-bit AHB master bus width.
- Incrementing or non-incrementing addressing for source and destination.
- Programmable DMA burst size. The DMA burst size can be programmed to more efficiently transfer data.
- Internal four-word FIFO per channel.
- Supports 8, 16, and 32-bit wide transactions.
- Big-endian and little-endian support. The DMA Controller defaults to little-endian mode on reset.
- An interrupt to the processor can be generated on a DMA completion or when a DMA error has occurred.
- Raw interrupt status. The DMA error and DMA count raw interrupt status can be read prior to masking.

## 7.12 CRC engine

The Cyclic Redundancy Check (CRC) generator with programmable polynomial settings supports several CRC standards commonly used. To save system power and bus bandwidth, the CRC engine supports DMA transfers.

### 7.12.1 Features

- Supports three common polynomials CRC-CCITT, CRC-16, and CRC-32.
  - CRC-CCITT:  $x^{16} + x^{12} + x^5 + 1$
  - CRC-16:  $x^{16} + x^{15} + x^2 + 1$
  - CRC-32:  $x^{32} + x^{26} + x^{23} + x^{22} + x^{16} + x^{12} + x^{11} + x^{10} + x^8 + x^7 + x^5 + x^4 + x^2 + x + 1$
- Bit order reverse and 1's complement programmable setting for input data and CRC sum.
- Programmable seed number setting.
- Supports CPU PIO or DMA back-to-back transfer.



- Accept any size of data width per write: 8, 16 or 32-bit.
  - 8-bit write: 1-cycle operation.
  - 16-bit write: 2-cycle operation (8-bit x 2-cycle).
  - 32-bit write: 4-cycle operation (8-bit x 4-cycle).

### 7.13 LCD controller

**Remark:** The LCD controller is available on parts LPC1788/87/86/85.

The LCD controller provides all of the necessary control signals to interface directly to a variety of color and monochrome LCD panels. Both STN (single and dual panel) and TFT panels can be operated. The display resolution is selectable and can be up to 1024 × 768 pixels. Several color modes are provided, up to a 24-bit true-color non-palettized mode. An on-chip 512-byte color palette allows reducing bus utilization (i.e. memory size of the displayed data) while still supporting a large number of colors.

The LCD interface includes its own DMA controller to allow it to operate independently of the CPU and other system functions. A built-in FIFO acts as a buffer for display data, providing flexibility for system timing. Hardware cursor support can further reduce the amount of CPU time needed to operate the display.

#### 7.13.1 Features

- AHB master interface to access frame buffer.
- Setup and control via a separate AHB slave interface.
- Dual 16-deep programmable 64-bit wide FIFOs for buffering incoming display data.
- Supports single and dual-panel monochrome Super Twisted Nematic (STN) displays with 4-bit or 8-bit interfaces.
- Supports single and dual-panel color STN displays.
- Supports Thin Film Transistor (TFT) color displays.
- Programmable display resolution including, but not limited to: 320 × 200, 320 × 240, 640 × 200, 640 × 240, 640 × 480, 800 × 600, and 1024 × 768.
- Hardware cursor support for single-panel displays.
- 15 gray-level monochrome, 3375 color STN, and 32 K color palettized TFT support.
- 1, 2, or 4 bits-per-pixel (bpp) palettized displays for monochrome STN.
- 1, 2, 4, or 8 bpp palettized color displays for color STN and TFT.
- 16 bpp true-color non-palettized, for color STN and TFT.
- 24 bpp true-color non-palettized, for color TFT.
- Programmable timing for different display panels.
- 256 entry, 16-bit palette RAM, arranged as a 128 × 32-bit RAM.
- Frame, line, and pixel clock signals.
- AC bias signal for STN, data enable signal for TFT panels.
- Supports little and big-endian, and Windows CE data formats.
- LCD panel clock may be generated from the peripheral clock, or from a clock input pin.



## 7.14 Ethernet

**Remark:** The Ethernet block is available on parts LPC1788/86 and LPC1778/76.

The Ethernet block contains a full featured 10 Mbit/s or 100 Mbit/s Ethernet MAC designed to provide optimized performance through the use of DMA hardware acceleration. Features include a generous suite of control registers, half or full duplex operation, flow control, control frames, hardware acceleration for transmit retry, receive packet filtering and wake-up on LAN activity. Automatic frame transmission and reception with scatter-gather DMA off-loads many operations from the CPU.

The Ethernet block and the CPU share the ARM Cortex-M3 D-code and system bus through the AHB-multilayer matrix to access the various on-chip SRAM blocks for Ethernet data, control, and status information.

The Ethernet block interfaces between an off-chip Ethernet PHY using the Media Independent Interface (MII) or Reduced MII (RMII) protocol and the on-chip Media Independent Interface Management (MIIM) serial bus.

### 7.14.1 Features

- Ethernet standards support:
  - Supports 10 Mbit/s or 100 Mbit/s PHY devices including 10 Base-T, 100 Base-TX, 100 Base-FX, and 100 Base-T4.
  - Fully compliant with IEEE standard 802.3.
  - Fully compliant with 802.3x Full Duplex Flow Control and Half Duplex back pressure.
  - Flexible transmit and receive frame options.
  - Virtual Local Area Network (VLAN) frame support
  - .
- Memory management:
  - Independent transmit and receive buffers memory mapped to shared SRAM.
  - DMA managers with scatter/gather DMA and arrays of frame descriptors.
  - Memory traffic optimized by buffering and pre-fetching.
- Enhanced Ethernet features:
  - Receive filtering.
  - Multicast and broadcast frame support for both transmit and receive.
  - Optional automatic Frame Check Sequence (FCS) insertion with Circular Redundancy Check (CRC) for transmit.
  - Selectable automatic transmit frame padding.
  - Over-length frame support for both transmit and receive allows any length frames.
  - Promiscuous receive mode.
  - Automatic collision back-off and frame retransmission.
  - Includes power management by clock switching.
  - Wake-on-LAN power management support allows system wake-up: using the receive filters or a magic frame detection filter.

- Physical interface:
  - Attachment of external PHY chip through standard MII or RMII interface.
  - PHY register access is available via the MIIM interface.

## 7.15 USB interface

**Remark:** The USB Device/Host/OTG controller is available on parts LPC1788/87/86/85 and LPC1778/77/76. The USB Device-only controller is available on parts LPC1774.

The Universal Serial Bus (USB) is a 4-wire bus that supports communication between a host and one or more (up to 127) peripherals. The host controller allocates the USB bandwidth to attached devices through a token-based protocol. The bus supports hot plugging and dynamic configuration of the devices. All transactions are initiated by the host controller.

Details on typical USB interfacing solutions can be found in [Section 14.1](#).

### 7.15.1 USB device controller

The device controller enables 12 Mbit/s data exchange with a USB host controller. It consists of a register interface, serial interface engine, endpoint buffer memory, and a DMA controller. The serial interface engine decodes the USB data stream and writes data to the appropriate endpoint buffer. The status of a completed USB transfer or error condition is indicated via status registers. An interrupt is also generated if enabled. When enabled, the DMA controller transfers data between the endpoint buffer and the USB RAM.

#### 7.15.1.1 Features

- Fully compliant with *USB 2.0 Specification* (full speed).
- Supports 32 physical (16 logical) endpoints with a 4 kB endpoint buffer RAM.
- Supports Control, Bulk, Interrupt and Isochronous endpoints.
- Scalable realization of endpoints at run time.
- Endpoint Maximum packet size selection (up to USB maximum specification) by software at run time.
- Supports SoftConnect and GoodLink features.
- While USB is in the Suspend mode, the LPC178x/7x can enter one of the reduced power modes and wake up on USB activity.
- Supports DMA transfers with all on-chip SRAM blocks on all non-control endpoints.
- Allows dynamic switching between CPU-controlled and DMA modes.
- Double buffer implementation for Bulk and Isochronous endpoints.

### 7.15.2 USB host controller

The host controller enables full- and low-speed data exchange with USB devices attached to the bus. It consists of register interface, serial interface engine and DMA controller. The register interface complies with the Open Host Controller Interface (OHCI) specification.

#### 7.15.2.1 Features

- OHCI compliant.

- Two downstream ports.
- Supports per-port power switching.

### 7.15.3 USB OTG controller

USB OTG is a supplement to the *USB 2.0 Specification* that augments the capability of existing mobile devices and USB peripherals by adding host functionality for connection to USB peripherals.

The OTG Controller integrates the host controller, device controller, and a master-only I<sup>2</sup>C interface to implement OTG dual-role device functionality. The dedicated I<sup>2</sup>C interface controls an external OTG transceiver.

#### 7.15.3.1 Features

- Fully compliant with On-The-Go supplement to the *USB 2.0 Specification, Revision 1.0a*.
- Hardware support for Host Negotiation Protocol (HNP).
- Includes a programmable timer required for HNP and Session Request Protocol (SRP).
- Supports any OTG transceiver compliant with the *OTG Transceiver Specification (CEA-2011), Rev. 1.0*.

## 7.16 SD/MMC card interface

**Remark:** The SD/MMC card interface is available on parts LPC1788/87/86/85 and parts LPC1778/77/76.

The Secure Digital and Multimedia Card Interface (MCI) allows access to external SD memory cards. The SD card interface conforms to the *SD Multimedia Card Specification Version 2.11*.

### 7.16.1 Features

- The MCI provides all functions specific to the SD/MMC memory card. These include the clock generation unit, power management control, and command and data transfer.
- Conforms to *Multimedia Card Specification v2.11*.
- Conforms to *Secure Digital Memory Card Physical Layer Specification, v0.96*.
- Can be used as a multimedia card bus or a secure digital memory card bus host. The SD/MMC can be connected to several multimedia cards or a single secure digital memory card.
- DMA supported through the GPDMA controller.

## 7.17 Fast general purpose parallel I/O

Device pins that are not connected to a specific peripheral function are controlled by the GPIO registers. Pins may be dynamically configured as inputs or outputs. Separate registers allow setting or clearing any number of outputs simultaneously. The value of the output register may be read back as well as the current state of the port pins.

LPC178x/7x use accelerated GPIO functions:

- GPIO registers are accessed through the AHB multilayer bus so that the fastest possible I/O timing can be achieved.
- Mask registers allow treating sets of port bits as a group, leaving other bits unchanged.
- All GPIO registers are byte and half-word addressable.
- Entire port value can be written in one instruction.
- Support for Cortex-M3 bit banding.
- Support for use with the GPDMA controller.

Additionally, any pin on Port 0 and Port 2 providing a digital function can be programmed to generate an interrupt on a rising edge, a falling edge, or both. The edge detection is asynchronous, so it may operate when clocks are not present such as during Power-down mode. Each enabled interrupt can be used to wake up the chip from Power-down mode.

### 7.17.1 Features

- Bit level set and clear registers allow a single instruction to set or clear any number of bits in one port.
- Direction control of individual bits.
- All I/O default to inputs after reset.
- Pull-up/pull-down resistor configuration and open-drain configuration can be programmed through the pin connect block for each GPIO pin.

## 7.18 12-bit ADC

The LPC178x/7x contain one ADC. It is a single 12-bit successive approximation ADC with eight channels and DMA support.

### 7.18.1 Features

- 12-bit successive approximation ADC.
- Input multiplexing among eight pins.
- Power-down mode.
- Measurement range  $V_{SS}$  to  $V_{REFP}$ .
- 12-bit conversion rate: up to 400 kHz.
- Individual channels can be selected for conversion.
- Burst conversion mode for single or multiple inputs.
- Optional conversion on transition of input pin or Timer Match signal.
- Individual result registers for each ADC channel to reduce interrupt overhead.
- DMA support.

## 7.19 10-bit DAC

The LPC178x/7x contain one DAC. The DAC allows to generate a variable analog output. The maximum output value of the DAC is  $V_{REFP}$ .

### 7.19.1 Features

- 10-bit DAC.
- Resistor string architecture.
- Buffered output.
- Power-down mode.
- Selectable output drive.
- Dedicated conversion timer.
- DMA support.

### 7.20 UARTs

**Remark:** USART4 is not available on part LPC1774FBD144.

The LPC178x/7x contain five UARTs. In addition to standard transmit and receive data lines, UART1 also provides a full modem control handshake interface and support for RS-485/9-bit mode allowing both software address detection and automatic address detection using 9-bit mode.

The UARTs include a fractional baud rate generator. Standard baud rates such as 115200 Bd can be achieved with any crystal frequency above 2 MHz.

#### 7.20.1 Features

- Maximum UART data bit rate of 7.5 MBit/s.
- 16 B Receive and Transmit FIFOs.
- Register locations conform to 16C550 industry standard.
- Receiver FIFO trigger points at 1 B, 4 B, 8 B, and 14 B.
- Built-in fractional baud rate generator covering wide range of baud rates without a need for external crystals of particular values.
- Auto-baud capability.
- Fractional divider for baud rate control, auto baud capabilities and FIFO control mechanism that enables software flow control implementation.
- Support for RS-485/9-bit/EIA-485 mode and multiprocessor addressing.
- All UARTs have DMA support for both transmit and receive.
- UART1 equipped with standard modem interface signals. This module also provides full support for hardware flow control (auto-CTS/RTS).
- USART4 includes an IrDA mode to support infrared communication.
- USART4 supports synchronous mode and a smart card mode conforming to ISO7816-3.

### 7.21 SSP serial I/O controller

The LPC178x/7x contain three SSP controllers. The SSP controller is capable of operation on a SPI, 4-wire SSI, or Microwire bus. It can interact with multiple masters and slaves on the bus. Only a single master and a single slave can communicate on the bus

during a given data transfer. The SSP supports full duplex transfers, with frames of 4 bits to 16 bits of data flowing from the master to the slave and from the slave to the master. In practice, often only one of these data flows carries meaningful data.

### 7.21.1 Features

- Maximum SSP speed of 33 Mbit/s (master) or 10 Mbit/s (slave).
- Compatible with Motorola SPI, 4-wire Texas Instruments SSI, and National Semiconductor Microwire buses.
- Synchronous serial communication.
- Master or slave operation.
- 8-frame FIFOs for both transmit and receive.
- 4-bit to 16-bit frame.
- DMA transfers supported by GPDMA.

## 7.22 I<sup>2</sup>C-bus serial I/O controllers

The LPC178x/7x contain three I<sup>2</sup>C-bus controllers.

The I<sup>2</sup>C-bus is bidirectional for inter-IC control using only two wires: a Serial Clock Line (SCL) and a Serial Data Line (SDA). Each device is recognized by a unique address and can operate as either a receiver-only device (e.g., an LCD driver) or a transmitter with the capability to both receive and send information (such as memory). Transmitters and/or receivers can operate in either master or slave mode, depending on whether the chip has to initiate a data transfer or is only addressed. The I<sup>2</sup>C is a multi-master bus and can be controlled by more than one bus master connected to it.

### 7.22.1 Features

- All I<sup>2</sup>C-bus controllers can use standard GPIO pins with bit rates of up to 400 kbit/s (Fast I<sup>2</sup>C-bus). The I<sup>2</sup>C0-bus interface uses special open-drain pins with bit rates of up to 400 kbit/s.
- The I<sup>2</sup>C-bus interface supports Fast-mode Plus with bit rates up to 1 Mbit/s for I2C0 using pins P5[2] and P5[3].
- Easy to configure as master, slave, or master/slave.
- Programmable clocks allow versatile rate control.
- Bidirectional data transfer between masters and slaves.
- Multi-master bus (no central master).
- Arbitration between simultaneously transmitting masters without corruption of serial data on the bus.
- Serial clock synchronization allows devices with different bit rates to communicate via one serial bus.
- Serial clock synchronization can be used as a handshake mechanism to suspend and resume serial transfer.
- The I<sup>2</sup>C-bus can be used for test and diagnostic purposes.
- Both I<sup>2</sup>C-bus controllers support multiple address recognition and a bus monitor mode.

## 7.23 I<sup>2</sup>S-bus serial I/O controllers

The LPC178x/7x contain one I<sup>2</sup>S-bus interface. The I<sup>2</sup>S-bus provides a standard communication interface for digital audio applications.

The I<sup>2</sup>S-bus specification defines a 3-wire serial bus using one data line, one clock line, and one word select signal. The basic I<sup>2</sup>S connection has one master, which is always the master, and one slave. The I<sup>2</sup>S interface on the LPC178x/7x provides a separate transmit and receive channel, each of which can operate as either a master or a slave.

### 7.23.1 Features

- The interface has separate input/output channels each of which can operate in master or slave mode.
- Capable of handling 8-bit, 16-bit, and 32-bit word sizes.
- Mono and stereo audio data supported.
- The sampling frequency can range from 16 kHz to 48 kHz (16, 22.05, 32, 44.1, 48) kHz.
- Configurable word select period in master mode (separately for I<sup>2</sup>S input and output).
- Two 8 word FIFO data buffers are provided, one for transmit and one for receive.
- Generates interrupt requests when buffer levels cross a programmable boundary.
- Two DMA requests, controlled by programmable buffer levels. These are connected to the GPDMA block.
- Controls include reset, stop and mute options separately for I<sup>2</sup>S input and I<sup>2</sup>S output.

## 7.24 CAN controller and acceptance filters

The LPC178x/7x contain one CAN controller with two channels.

The Controller Area Network (CAN) is a serial communications protocol which efficiently supports distributed real-time control with a very high level of security. Its domain of application ranges from high-speed networks to low cost multiplex wiring.

The CAN block is intended to support multiple CAN buses simultaneously, allowing the device to be used as a gateway, switch, or router between two of CAN buses in industrial or automotive applications.

Each CAN controller has a register structure similar to the NXP SJA1000 and the PeliCAN Library block, but the 8-bit registers of those devices have been combined in 32-bit words to allow simultaneous access in the ARM environment. The main operational difference is that the recognition of received Identifiers, known in CAN terminology as Acceptance Filtering, has been removed from the CAN controllers and centralized in a global Acceptance Filter.

### 7.24.1 Features

- Two CAN controllers and buses.
- Data rates to 1 Mbit/s on each bus.
- 32-bit register and RAM access.
- Compatible with *CAN specification 2.0B, ISO 11898-1*.

- Global Acceptance Filter recognizes 11-bit and 29-bit receive identifiers for all CAN buses.
- Acceptance Filter can provide FullCAN-style automatic reception for selected Standard Identifiers.
- FullCAN messages can generate interrupts.

## 7.25 General purpose 32-bit timers/external event counters

The LPC178x/7x include four 32-bit timer/counters.

The timer/counter is designed to count cycles of the system derived clock or an externally-supplied clock. It can optionally generate interrupts, generate timed DMA requests, or perform other actions at specified timer values, based on four match registers. Each timer/counter also includes two capture inputs to trap the timer value when an input signal transitions, optionally generating an interrupt.

### 7.25.1 Features

- A 32-bit timer/counter with a programmable 32-bit prescaler.
- Counter or timer operation.
- Two 32-bit capture channels per timer, that can take a snapshot of the timer value when an input signal transitions. A capture event may also generate an interrupt.
- Four 32-bit match registers that allow:
  - Continuous operation with optional interrupt generation on match.
  - Stop timer on match with optional interrupt generation.
  - Reset timer on match with optional interrupt generation.
- Up to four external outputs corresponding to match registers, with the following capabilities:
  - Set LOW on match.
  - Set HIGH on match.
  - Toggle on match.
  - Do nothing on match.
- Up to two match registers can be used to generate timed DMA requests.

## 7.26 Pulse Width Modulator (PWM)

The LPC178x/7x contain two standard PWMs.

The PWM is based on the standard Timer block and inherits all of its features, although only the PWM function is pinned out on the LPC178x/7x. The Timer is designed to count cycles of the system derived clock and optionally switch pins, generate interrupts or perform other actions when specified timer values occur, based on seven match registers. The PWM function is in addition to these features, and is based on match register events.

The ability to separately control rising and falling edge locations allows the PWM to be used for more applications. For instance, multi-phase motor control typically requires three non-overlapping PWM outputs with individual control of all three pulse widths and positions.



Two match registers can be used to provide a single edge controlled PWM output. One match register (PWMMR0) controls the PWM cycle rate, by resetting the count upon match. The other match register controls the PWM edge position. Additional single edge controlled PWM outputs require only one match register each, since the repetition rate is the same for all PWM outputs. Multiple single edge controlled PWM outputs will all have a rising edge at the beginning of each PWM cycle, when an PWMMR0 match occurs.

Three match registers can be used to provide a PWM output with both edges controlled. Again, the PWMMR0 match register controls the PWM cycle rate. The other match registers control the two PWM edge positions. Additional double edge controlled PWM outputs require only two match registers each, since the repetition rate is the same for all PWM outputs.

With double edge controlled PWM outputs, specific match registers control the rising and falling edge of the output. This allows both positive going PWM pulses (when the rising edge occurs prior to the falling edge), and negative going PWM pulses (when the falling edge occurs prior to the rising edge).

### 7.26.1 Features

- LPC178x/7x has two PWM blocks with Counter or Timer operation (may use the peripheral clock or one of the capture inputs as the clock source).
- Seven match registers allow up to 6 single edge controlled or 3 double edge controlled PWM outputs, or a mix of both types. The match registers also allow:
  - Continuous operation with optional interrupt generation on match.
  - Stop timer on match with optional interrupt generation.
  - Reset timer on match with optional interrupt generation.
- Supports single edge controlled and/or double edge controlled PWM outputs. Single edge controlled PWM outputs all go high at the beginning of each cycle unless the output is a constant low. Double edge controlled PWM outputs can have either edge occur at any position within a cycle. This allows for both positive going and negative going pulses.
- Pulse period and width can be any number of timer counts. This allows complete flexibility in the trade-off between resolution and repetition rate. All PWM outputs will occur at the same repetition rate.
- Double edge controlled PWM outputs can be programmed to be either positive going or negative going pulses.
- Match register updates are synchronized with pulse outputs to prevent generation of erroneous pulses. Software must 'release' new match values before they can become effective.
- May be used as a standard 32-bit timer/counter with a programmable 32-bit prescaler if the PWM mode is not enabled.

### 7.27 Motor control PWM

The LPC178x/7x contain one motor control PWM.

The motor control PWM is a specialized PWM supporting 3-phase motors and other combinations. Feedback inputs are provided to automatically sense rotor position and use that information to ramp speed up or down. An abort input is also provided that causes the

PWM to immediately release all motor drive outputs. At the same time, the motor control PWM is highly configurable for other generalized timing, counting, capture, and compare applications.

The maximum PWM speed is determined by the PWM resolution (n) and the operating frequency f: PWM speed =  $f/2^n$  (see [Table 8](#)).

**Table 8. PWM speed at operating frequency 120 MHz**

PWM resolution	PWM speed
6 bit	1.875 MHz
8 bit	0.468 MHz
10 bit	0.117 MHz

## 7.28 Quadrature Encoder Interface (QEI)

**Remark:** The QEI is available on parts LPC1788/87/86 and LPC1778/77/76

A quadrature encoder, also known as a 2-channel incremental encoder, converts angular displacement into two pulse signals. By monitoring both the number of pulses and the relative phase of the two signals, the user can track the position, direction of rotation, and velocity. In addition, a third channel, or index signal, can be used to reset the position counter. The quadrature encoder interface decodes the digital pulses from a quadrature encoder wheel to integrate position over time and determine direction of rotation. In addition, the QEI can capture the velocity of the encoder wheel.

### 7.28.1 Features

- Tracks encoder position.
- Increments/decrements depending on direction.
- Programmable for 2× or 4× position counting.
- Velocity capture using built-in timer.
- Velocity compare function with “less than” interrupt.
- Uses 32-bit registers for position and velocity.
- Three position compare registers with interrupts.
- Index counter for revolution counting.
- Index compare register with interrupts.
- Can combine index and position interrupts to produce an interrupt for whole and partial revolution displacement.
- Digital filter with programmable delays for encoder input signals.
- Can accept decoded signal inputs (clk and direction).
- Connected to APB.

## 7.29 ARM Cortex-M3 system tick timer

The ARM Cortex-M3 includes a system tick timer (SYSTICK) that is intended to generate a dedicated SYSTICK exception at a 10 ms interval. In the LPC178x/7x, this timer can be clocked from the internal AHB clock or from a device pin.

### 7.30 Windowed WatchDog Timer (WWDT)

The purpose of the watchdog is to reset the controller if software fails to periodically service it within a programmable time window.

#### 7.30.1 Features

- Internally resets chip if not periodically reloaded during the programmable time-out period.
- Optional windowed operation requires reload to occur between a minimum and maximum time period, both programmable.
- Optional warning interrupt can be generated at a programmable time prior to watchdog time-out.
- Enabled by software but requires a hardware reset or a watchdog reset/interrupt to be disabled.
- Incorrect feed sequence causes reset or interrupt if enabled.
- Flag to indicate watchdog reset.
- Programmable 24-bit timer with internal prescaler.
- Selectable time period from  $(T_{cy(WDCLK)} \times 256 \times 4)$  to  $(T_{cy(WDCLK)} \times 2^{24} \times 4)$  in multiples of  $T_{cy(WDCLK)} \times 4$ .
- The Watchdog Clock (WDCLK) source is a dedicated watchdog oscillator, which is always running if the watchdog timer is enabled.

### 7.31 RTC and backup registers

The RTC is a set of counters for measuring time when system power is on, and optionally when it is off. The RTC on the LPC178x/7x is designed to have very low power consumption. The RTC will typically run from the main chip power supply conserving battery power while the rest of the device is powered up. When operating from a battery, the RTC will continue working down to 2.1 V. Battery power can be provided from a standard 3 V lithium button cell.

An ultra-low power 32 kHz oscillator provides a 1 Hz clock to the time counting portion of the RTC, moving most of the power consumption out of the time counting function.

The RTC includes a calibration mechanism to allow fine-tuning the count rate in a way that will provide less than 1 second per day error when operated at a constant voltage and temperature.

The RTC contains a small set of backup registers (20 bytes) for holding data while the main part of the LPC178x/7x is powered off.

The RTC includes an alarm function that can wake up the LPC178x/7x from all reduced power modes with a time resolution of 1 s.

#### 7.31.1 Features

- Measures the passage of time to maintain a calendar and clock.
- Ultra low power design to support battery powered systems.
- Provides Seconds, Minutes, Hours, Day of Month, Month, Year, Day of Week, and Day of Year.

- Dedicated power supply pin can be connected to a battery or to the main 3.3 V.
- Periodic interrupts can be generated from increments of any field of the time registers.
- Backup registers (20 bytes) powered by VBAT.
- RTC power supply is isolated from the rest of the chip.

## 7.32 Event monitor/recorder

The event monitor/recorder allows recording of tampering events in sealed product enclosures. Sensors report any attempt to open the enclosure, or to tamper with the device in any other way. The event monitor/recorder stores records of such events when the device is powered only by the backup battery.

### 7.32.1 Features

- Supports three digital event inputs in the VBAT power domain.
- An event is defined as a level change at the digital event inputs.
- For each event channel, two timestamps mark the first and the last occurrence of an event. Each channel also has a dedicated counter tracking the total number of events. Timestamp values are taken from the RTC.
- Runs in VBAT power domain, independent of system power supply. The event/recorder/monitor can therefore operate in Deep power-down mode.
- Very low power consumption.
- Interrupt available if system is running.
- A qualified event can be used as a wake-up trigger.
- State of event interrupts accessible by software through GPIO.

## 7.33 Clocking and power control

### 7.33.1 Crystal oscillators

The LPC178x/7x include four independent oscillators. These are the main oscillator, the IRC oscillator, the watchdog oscillator, and the RTC oscillator.

Following reset, the LPC178x/7x will operate from the Internal RC oscillator until switched by software. This allows systems to operate without any external crystal and the boot loader code to operate at a known frequency.

See [Figure 7](#) for an overview of the LPC178x/7x clock generation.

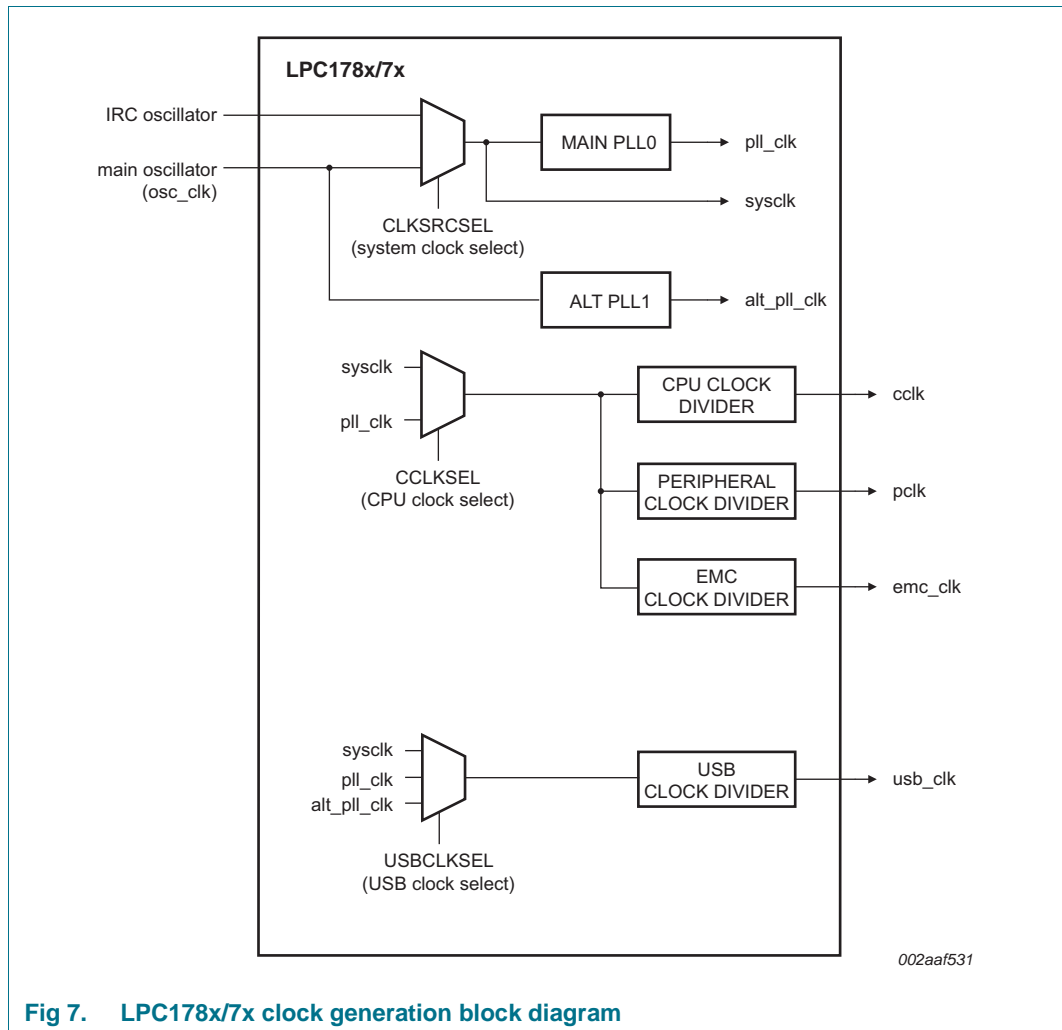


Fig 7. LPC178x/7x clock generation block diagram

**7.33.1.1 Internal RC oscillator**

The IRC may be used as the clock that drives the PLL and subsequently the CPU. The nominal IRC frequency is 12 MHz. The IRC is trimmed to 1 % accuracy over the entire voltage and temperature range.

Upon power-up or any chip reset, the LPC178x/7x use the IRC as the clock source. Software may later switch to one of the other available clock sources.

**7.33.1.2 Main oscillator**

The main oscillator can be used as the clock source for the CPU, with or without using the PLL. The main oscillator also provides the clock source for the alternate PLL1.

The main oscillator operates at frequencies of 1 MHz to 25 MHz. This frequency can be boosted to a higher frequency, up to the maximum CPU operating frequency, by the main PLL. The clock selected as the PLL input is PLLCLKIN. The ARM processor clock frequency is referred to as CCLK elsewhere in this document. The frequencies of PLLCLKIN and CCLK are the same value unless the PLL is active and connected. The clock frequency for each peripheral can be selected individually and is referred to as PCLK. Refer to [Section 7.33.2](#) for additional information.

### 7.33.1.3 RTC oscillator

The RTC oscillator provides a 1 Hz clock to the RTC and a 32 kHz clock output that can be output on the CLKOUT pin in order to allow trimming the RTC oscillator without interference from a probe.

### 7.33.1.4 Watchdog oscillator

The Watchdog Timer has a dedicated watchdog oscillator that provides a 500 kHz clock to the Watchdog Timer. The watchdog oscillator is always running if the Watchdog Timer is enabled. The Watchdog oscillator clock can be output on the CLKOUT pin in order to allow observe its frequency.

In order to allow Watchdog Timer operation with minimum power consumption, which can be important in reduced power modes, the Watchdog oscillator frequency is not tightly controlled. The Watchdog oscillator frequency will vary over temperature and power supply within a particular part, and may vary by processing across different parts. This variation should be taken into account when determining Watchdog reload values.

Within a particular part, temperature and power supply variations can produce up to a  $\pm 17\%$  frequency variation. Frequency variation between devices under the same operating conditions can be up to  $\pm 30\%$ .

## 7.33.2 Main PLL (PLL0) and Alternate PLL (PLL1)

PLL0 (also called the Main PLL) and PLL1 (also called the Alternate PLL) are functionally identical but have somewhat different input possibilities and output connections. These possibilities are shown in [Figure 7](#). The Main PLL can receive its input from either the IRC or the main oscillator and can potentially be used to provide the clocks to nearly everything on the device. The Alternate PLL receives its input only from the main oscillator and is intended to be used as an alternate source of clocking to the USB. The USB has timing needs that may not always be filled by the Main PLL.

Both PLLs are disabled and powered off on reset. If the Alternate PLL is left disabled, the USB clock can be supplied by PLL0 if everything is set up to provide 48 MHz to the USB clock through that route. The source for each clock must be selected via the CLKSEL registers and can be further reduced by clock dividers as needed.

PLL0 accepts an input clock frequency from either the IRC or the main oscillator. If only the Main PLL is used, then its output frequency must be an integer multiple of all other clocks needed in the system. PLL1 takes its input only from the main oscillator, requiring an external crystal in the range of 10 to 25 MHz. In each PLL, the Current Controlled Oscillator (CCO) operates in the range of 156 MHz to 320 MHz, so there are additional dividers to bring the output down to the desired frequencies. The minimum output divider value is 2, insuring that the output of the PLLs have a 50 % duty cycle.

If the USB is used, the possibilities for the CPU clock and other clocks will be limited by the requirements that the frequency be precise and very low jitter, and that the PLL0 output must be a multiple of 48 MHz. Even multiples of 48 MHz that are within the operating range of the PLL are 192 MHz and 288 MHz. Also, only the main oscillator in conjunction with the PLL can meet the precision and jitter specifications for USB. It is due to these limitations that the Alternate PLL is provided.

The alternate PLL accepts an input clock frequency from the main oscillator in the range of 10 MHz to 25 MHz only. When used as the USB clock, the input frequency is multiplied up to a multiple of 48 MHz (192 MHz or 288 MHz as described above).

### 7.33.3 Wake-up timer

The LPC178x/7x begin operation at power-up and when awakened from Power-down mode by using the 12 MHz IRC oscillator as the clock source. This allows chip operation to resume quickly. If the main oscillator or the PLL is needed by the application, software will need to enable these features and wait for them to stabilize before they are used as a clock source.

When the main oscillator is initially activated, the wake-up timer allows software to ensure that the main oscillator is fully functional before the processor uses it as a clock source and starts to execute instructions. This is important at power on, all types of reset, and whenever any of the aforementioned functions are turned off for any reason. Since the oscillator and other functions are turned off during Power-down mode, any wake-up of the processor from Power-down mode makes use of the wake-up Timer.

The wake-up timer monitors the crystal oscillator to check whether it is safe to begin code execution. When power is applied to the chip, or when some event caused the chip to exit Power-down mode, some time is required for the oscillator to produce a signal of sufficient amplitude to drive the clock logic. The amount of time depends on many factors, including the rate of  $V_{DD(3V3)}$  ramp (in the case of power on), the type of crystal and its electrical characteristics (if a quartz crystal is used), as well as any other external circuitry (e.g., capacitors), and the characteristics of the oscillator itself under the existing ambient conditions.

### 7.33.4 Power control

The LPC178x/7x support a variety of power control features. There are four special modes of processor power reduction: Sleep mode, Deep-sleep mode, Power-down mode, and Deep power-down mode. The CPU clock rate may also be controlled as needed by changing clock sources, reconfiguring PLL values, and/or altering the CPU clock divider value. This allows a trade-off of power versus processing speed based on application requirements. In addition, the peripheral power control allows shutting down the clocks to individual on-chip peripherals, allowing fine tuning of power consumption by eliminating all dynamic power use in any peripherals that are not required for the application. Each of the peripherals has its own clock divider which provides even better power control.

The integrated PMU (Power Management Unit) automatically adjusts internal regulators to minimize power consumption during Sleep, Deep-sleep, Power-down, and Deep power-down modes.

The LPC178x/7x also implement a separate power domain to allow turning off power to the bulk of the device while maintaining operation of the RTC and a small set of registers for storing data during any of the power-down modes.

#### 7.33.4.1 Sleep mode

When Sleep mode is entered, the clock to the core is stopped. Resumption from the Sleep mode does not need any special sequence other than re-enabling the clock to the ARM core.



In Sleep mode, execution of instructions is suspended until either a Reset or interrupt occurs. Peripheral functions continue operation during Sleep mode and may generate interrupts to cause the processor to resume execution. Sleep mode eliminates dynamic power used by the processor itself, memory systems and related controllers, and internal buses.

The DMA controller can continue to work in Sleep mode and has access to the peripheral RAMs and all peripheral registers. The flash memory and the main SRAM are not available in Sleep mode, they are disabled in order to save power.

Wake-up from Sleep mode will occur whenever any enabled interrupt occurs.

#### 7.33.4.2 Deep-sleep mode

In Deep-sleep mode, the oscillator is shut down and the chip receives no internal clocks. The processor state and registers, peripheral registers, and internal SRAM values are preserved throughout Deep-sleep mode and the logic levels of chip pins remain static. The output of the IRC is disabled but the IRC is not powered down to allow fast wake-up. The RTC oscillator is not stopped because the RTC interrupts may be used as the wake-up source. The PLL is automatically turned off and disconnected. The clock divider registers are automatically reset to zero.

The Deep-sleep mode can be terminated and normal operation resumed by either a Reset or certain specific interrupts that are able to function without clocks. Since all dynamic operation of the chip is suspended, Deep-sleep mode reduces chip power consumption to a very low value. Power to the flash memory is left on in Deep-sleep mode, allowing a very quick wake-up.

Wake-up from Deep-sleep mode can be initiated by the NMI, External Interrupts  $\overline{\text{EINT0}}$  through  $\overline{\text{EINT3}}$ , GPIO interrupts, the Ethernet Wake-on-LAN interrupt, Brownout Detect, an RTC Alarm interrupt, a USB input pin transition (USB activity interrupt), a CAN input pin transition, or a Watchdog Timer time-out, when the related interrupt is enabled. Wake-up will occur whenever any enabled interrupt occurs.

On wake-up from Deep-sleep mode, the code execution and peripherals activities will resume after four cycles expire if the IRC was used before entering Deep-sleep mode. If the main external oscillator was used, the code execution will resume when 4096 cycles expire. PLL and clock dividers need to be reconfigured accordingly.

#### 7.33.4.3 Power-down mode

Power-down mode does everything that Deep-sleep mode does but also turns off the power to the IRC oscillator and the flash memory. This saves more power but requires waiting for resumption of flash operation before execution of code or data access in the flash memory can be accomplished.

When the chip enters Power-down mode, the IRC, the main oscillator, and all clocks are stopped. The RTC remains running if it has been enabled and RTC interrupts may be used to wake up the CPU. The flash is forced into Power-down mode. The PLLs are automatically turned off and the clock selection multiplexers are set to use the system clock sysclk (the reset state). The clock divider control registers are automatically reset to zero. If the Watchdog timer is running, it will continue running in Power-down mode.



On the wake-up of Power-down mode, if the IRC was used before entering Power-down mode, it will take IRC 60  $\mu$ s to start-up. After this, four IRC cycles will expire before the code execution can then be resumed if the code was running from SRAM. In the meantime, the flash wake-up timer then counts 12 MHz IRC clock cycles to make the 100  $\mu$ s flash start-up time. When it times out, access to the flash will be allowed. Users need to reconfigure the PLL and clock dividers accordingly.

#### 7.33.4.4 Deep power-down mode

In Deep power-down mode, power is shut off to the entire chip with the exception of the RTC module and the  $\overline{\text{RESET}}$  pin.

To optimize power conservation, the user has the additional option of turning off or retaining power to the 32 kHz oscillator. It is also possible to use external circuitry to turn off power to the on-chip regulator via the  $V_{\text{DD(REG)(3V3)}}$  pins and/or the I/O power via the  $V_{\text{DD(3V3)}}$  pins after entering Deep Power-down mode. Power must be restored before device operation can be restarted.

The LPC178x/7x can wake up from Deep power-down mode via the  $\overline{\text{RESET}}$  pin or an alarm match event of the RTC.

#### 7.33.4.5 Wake-up Interrupt Controller (WIC)

The WIC allows the CPU to automatically wake up from any enabled priority interrupt that can occur while the clocks are stopped in Deep-sleep, Power-down, and Deep power-down modes.

The WIC works in connection with the Nested Vectored Interrupt Controller (NVIC). When the CPU enters Deep-sleep, Power-down, or Deep power-down mode, the NVIC sends a mask of the current interrupt situation to the WIC. This mask includes all of the interrupts that are both enabled and of sufficient priority to be serviced immediately. With this information, the WIC simply notices when one of the interrupts has occurred and then it wakes up the CPU.

The WIC eliminates the need to periodically wake up the CPU and poll the interrupts resulting in additional power savings.

#### 7.33.5 Peripheral power control

A power control for peripherals feature allows individual peripherals to be turned off if they are not needed in the application, resulting in additional power savings.

#### 7.33.6 Power domains

The LPC178x/7x provide two independent power domains that allow the bulk of the device to have power removed while maintaining operation of the RTC and the backup registers.

On the LPC178x/7x, I/O pads are powered by  $V_{\text{DD(3V3)}}$ , while  $V_{\text{DD(REG)(3V3)}}$  powers the on-chip voltage regulator which in turn provides power to the CPU and most of the peripherals.

Depending on the LPC178x/7x application, a design can use two power options to manage power consumption.

The first option assumes that power consumption is not a concern and the design ties the  $V_{DD(3V3)}$  and  $V_{DD(REG)(3V3)}$  pins together. This approach requires only one 3.3 V power supply for both pads, the CPU, and peripherals. While this solution is simple, it does not support powering down the I/O pad ring “on the fly” while keeping the CPU and peripherals alive.

The second option uses two power supplies; a 3.3 V supply for the I/O pads ( $V_{DD(3V3)}$ ) and a dedicated 3.3 V supply for the CPU ( $V_{DD(REG)(3V3)}$ ). Having the on-chip voltage regulator powered independently from the I/O pad ring enables shutting down of the I/O pad power supply “on the fly” while the CPU and peripherals stay active.

The VBAT pin supplies power only to the RTC domain. The RTC operates at very low power, which can be supplied by an external battery. The device core power ( $V_{DD(REG)(3V3)}$ ) is used to operate the RTC whenever  $V_{DD(REG)(3V3)}$  is present. There is no power drain from the RTC battery when  $V_{DD(REG)(3V3)}$  is at nominal levels and  $V_{DD(REG)(3V3)} > V_{BAT}$ .

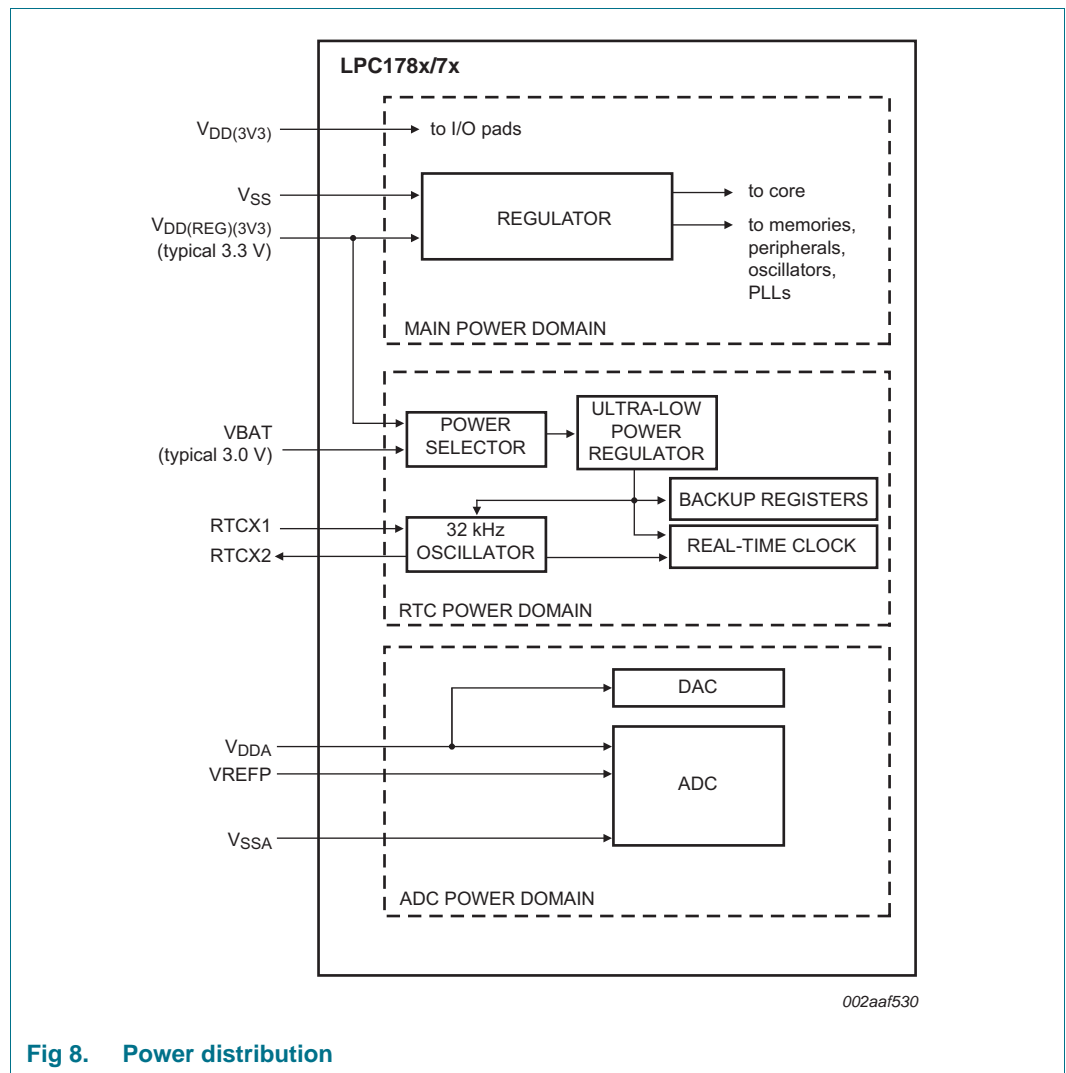


Fig 8. Power distribution

## 7.34 System control

### 7.34.1 Reset

Reset has four sources on the LPC178x/7x: the  $\overline{\text{RESET}}$  pin, the Watchdog reset, Power-On Reset (POR), and the BrownOut Detection (BOD) circuit. The  $\overline{\text{RESET}}$  pin is a Schmitt trigger input pin. Assertion of chip Reset by any source, once the operating voltage attains a usable level, starts the Wake-up timer (see description in [Section 7.33.3](#)), causing reset to remain asserted until the external Reset is de-asserted, the oscillator is running, a fixed number of clocks have passed, and the flash controller has completed its initialization.

When the internal Reset is removed, the processor begins executing at address 0, which is initially the Reset vector mapped from the boot block. At that point, all of the processor and peripheral registers have been initialized to predetermined values.

### 7.34.2 Brownout detection

The LPC178x/7x include 2-stage monitoring of the voltage on the  $V_{\text{DD(REG)(3V3)}}$  pins. If this voltage falls below 2.2 V (typical), the BOD asserts an interrupt signal to the Vectored Interrupt Controller. This signal can be enabled for interrupt in the Interrupt Enable Register in the NVIC in order to cause a CPU interrupt; if not, software can monitor the signal by reading a dedicated status register.

The second stage of low-voltage detection asserts a reset to inactivate the LPC178x/7x when the voltage on the  $V_{\text{DD(REG)(3V3)}}$  pins falls below 1.85 V (typical). This reset prevents alteration of the flash as operation of the various elements of the chip would otherwise become unreliable due to low voltage. The BOD circuit maintains this reset down below 1 V, at which point the power-on reset circuitry maintains the overall reset.

Both the 2.2 V and 1.85 V thresholds include some hysteresis. In normal operation, this hysteresis allows the 2.2 V detection to reliably interrupt, or a regularly executed event loop to sense the condition.

### 7.34.3 Code security (Code Read Protection - CRP)

This feature of the LPC178x/7x allows user to enable different levels of security in the system so that access to the on-chip flash and use of the JTAG and ISP can be restricted. When needed, CRP is invoked by programming a specific pattern into a dedicated flash location. IAP commands are not affected by the CRP.

There are three levels of the Code Read Protection.

CRP1 disables access to chip via the JTAG and allows partial flash update (excluding flash sector 0) using a limited set of the ISP commands. This mode is useful when CRP is required and flash field updates are needed but all sectors can not be erased.

CRP2 disables access to chip via the JTAG and only allows full flash erase and update using a reduced set of the ISP commands.

Running an application with level CRP3 selected fully disables any access to chip via the JTAG pins and the ISP. This mode effectively disables ISP override using P2[10] pin, too. It is up to the user's application to provide (if needed) flash update mechanism using IAP calls or call reinvoke ISP command to enable flash update via UART0.

**CAUTION**

If level three Code Read Protection (CRP3) is selected, no future factory testing can be performed on the device.

#### 7.34.4 APB interface

The APB peripherals are split into two separate APB buses in order to distribute the bus bandwidth and thereby reducing stalls caused by contention between the CPU and the GPDMA controller.

#### 7.34.5 AHB multilayer matrix

The LPC178x/7x use an AHB multilayer matrix. This matrix connects the instruction (I-code) and data (D-code) CPU buses of the ARM Cortex-M3 to the flash memory, the main (64 kB) SRAM, and the Boot ROM. The GPDMA can also access all of these memories. Additionally, the matrix connects the CPU system bus and all of the DMA controllers to the various peripheral functions.

#### 7.34.6 External interrupt inputs

The LPC178x/7x include up to 30 edge sensitive interrupt inputs combined with one level sensitive external interrupt input as selectable pin function. The external interrupt input can optionally be used to wake up the processor from Power-down mode.

#### 7.34.7 Memory mapping control

The Cortex-M3 incorporates a mechanism that allows remapping the interrupt vector table to alternate locations in the memory map. This is controlled via the Vector Table Offset Register contained in the NVIC.

The vector table may be located anywhere within the bottom 1 GB of Cortex-M3 address space. The vector table must be located on a 128 word (512 byte) boundary because the NVIC on the LPC178x/7x is configured for 128 total interrupts.

### 7.35 Debug control

Debug and trace functions are integrated into the ARM Cortex-M3. Serial wire debug and trace functions are supported in addition to a standard JTAG debug and parallel trace functions. The ARM Cortex-M3 is configured to support up to eight breakpoints and four watch points.

## 8. Limiting values

**Table 9. Limiting values**

In accordance with the Absolute Maximum Rating System (IEC 60134).<sup>[1]</sup>

Symbol	Parameter	Conditions		Min	Max	Unit
$V_{DD(3V3)}$	supply voltage (3.3 V)	external rail		2.4	3.6	V
$V_{DD(REG)(3V3)}$	regulator supply voltage (3.3 V)			2.4	3.6	V
$V_{DDA}$	analog 3.3 V pad supply voltage			-0.5	+4.6	V
$V_{I(VBAT)}$	input voltage on pin VBAT	for the RTC		-0.5	+4.6	V
$V_{I(VREFP)}$	input voltage on pin VREFP			-0.5	+4.6	V
$V_{IA}$	analog input voltage	on ADC related pins		-0.5	+5.1	V
$V_I$	input voltage	5 V tolerant digital I/O pins; $V_{DD(3V3)} \geq 2.4V$	<sup>[2]</sup>	-0.5	+5.5	V
		$V_{DD(3V3)} = 0 V$		-0.5	+3.6	V
		other I/O pins	<sup>[2][3]</sup>	-0.5	$V_{DD(3V3)} + 0.5$	V
$I_{DD}$	supply current	per supply pin		-	100	mA
$I_{SS}$	ground current	per ground pin		-	100	mA
$I_{latch}$	I/O latch-up current	$-(0.5V_{DD(3V3)}) < V_I < (1.5V_{DD(3V3)})$ ; $T_j < 125\text{ }^\circ\text{C}$		-	100	mA
$T_{stg}$	storage temperature	non-operating	<sup>[4]</sup>	-65	+150	$^\circ\text{C}$
$P_{tot(pack)}$	total power dissipation (per package)	based on package heat transfer, not device power consumption		-	1.5	W
$V_{ESD}$	electrostatic discharge voltage	human body model; all pins	<sup>[5]</sup>	-	4000	V

[1] The following applies to the limiting values:

- This product includes circuitry specifically designed for the protection of its internal devices from the damaging effects of excessive static charge. Nonetheless, it is suggested that conventional precautions be taken to avoid applying greater than the rated maximum.
- Parameters are valid over operating temperature range unless otherwise specified. All voltages are with respect to  $V_{SS}$  unless otherwise noted.

[2] Including voltage on outputs in 3-state mode.

[3] Not to exceed 4.6 V.

[4] The maximum non-operating storage temperature is different than the temperature for required shelf life which should be determined based on the required shelf lifetime. Please refer to the JEDEC spec for further details.

[5] Human body model: equivalent to discharging a 100 pF capacitor through a 1.5 k $\Omega$  series resistor.

## 9. Thermal characteristics

The average chip junction temperature,  $T_j$  (°C), can be calculated using the following equation:

$$T_j = T_{amb} + (P_D \times R_{th(j-a)}) \tag{1}$$

- $T_{amb}$  = ambient temperature (°C),
- $R_{th(j-a)}$  = the package junction-to-ambient thermal resistance (°C/W)
- $P_D$  = sum of internal and I/O power dissipation

**Table 10. Thermal characteristics**

$V_{DD} = 3.0\text{ V to }3.6\text{ V}$ ;  $T_{amb} = -40\text{ °C to }+85\text{ °C}$  unless otherwise specified;

Symbol	Parameter	Min	Typ	Max	Unit
$T_{j(max)}$	maximum junction temperature	-	-	125	°C

**Table 11. Thermal resistance (LQFP packages)**

$T_{amb} = -40\text{ °C to }+85\text{ °C}$  unless otherwise specified.

Symbol	Conditions	Thermal resistance in °C/W ±15 %	
		LQFP208	LQFP144
$\theta_{ja}$	JEDEC (4.5 in × 4 in)		
	0 m/s	27.4	31.5
	1 m/s	25.7	28.1
	2.5 m/s	24.4	26.2
	Single-layer (4.5 in × 3 in)		
	0 m/s	35.4	43.2
	1 m/s	31.2	35.7
	2.5 m/s	29.2	32.8
$\theta_{jc}$	-	8.8	7.8
$\theta_{jb}$	-	15.4	13.8

**Table 12. Thermal resistance value (TFBGA packages)**

$T_{amb} = -40\text{ °C to }+85\text{ °C}$  unless otherwise specified.

Symbol	Conditions	Thermal resistance in °C/W ±15 %	
		TFBGA208	TFBGA180
$\theta_{ja}$	JEDEC (4.5 in × 4 in)		
	0 m/s	41	45.5
	1 m/s	35	38.3
	2.5 m/s	31	33.8
	8-layer (4.5 in × 3 in)		
	0 m/s	34.9	38
	1 m/s	30.9	33.5
	2.5 m/s	28	29.8
$\theta_{jc}$	-	8.3	8.9
$\theta_{jb}$	-	13.6	12

## 10. Static characteristics

**Table 13. Static characteristics**

$T_{amb} = -40\text{ °C}$  to  $+85\text{ °C}$ , unless otherwise specified.

Symbol	Parameter	Conditions	Min	Typ <sup>[1]</sup>	Max	Unit	
<b>Supply pins</b>							
$V_{DD(3V3)}$	supply voltage (3.3 V)	external rail	[2] 2.4	3.3	3.6	V	
$V_{DD(REG)(3V3)}$	regulator supply voltage (3.3 V)		2.4	3.3	3.6	V	
$V_{DDA}$	analog 3.3 V pad supply voltage		[3] 2.7	3.3	3.6	V	
$V_{i(VBAT)}$	input voltage on pin VBAT		[4] 2.1	3.0	3.6	V	
$V_{i(VREFP)}$	input voltage on pin VREFP		[3] 2.7	3.3	$V_{DDA}$	V	
$I_{DD(REG)(3V3)}$	regulator supply current (3.3 V)	active mode; code <code>while(1){}</code> executed from flash; all peripherals disabled PCLK = CCLK/4					
		CCLK = 12 MHz; PLL disabled	[5][6] -	7	-	mA	
		CCLK = 120 MHz; PLL enabled	[5][7] -	51	-	mA	
		active mode; code <code>while(1){}</code> executed from flash; all peripherals enabled; PCLK = CCLK/4					
		CCLK = 12 MHz; PLL disabled	[5][6] -	14	-		
		CCLK = 120 MHz; PLL enabled	[5][7] -	100	-	mA	
		Sleep mode	[5][8] -	5	-	mA	
		Deep-sleep mode	[5][9] -	550	-	μA	
Power-down mode	[5][9] -	280	-	μA			
$I_{BAT}$	battery supply current	RTC running; part powered down; $V_{DD(REG)(3V3)} = 0\text{ V}$ ; $V_{i(VBAT)} = 3.0\text{ V}$ ; $V_{DD(3V3)} = 0\text{ V}$ .	[10] -		1	-	μA
		part powered; $V_{DD(REG)(3V3)} = 3.3\text{ V}$ ; $V_{i(VBAT)} = 3.0\text{ V}$	[11] -	<10		nA	

**Table 13. Static characteristics ...continued**  
*T<sub>amb</sub> = -40 °C to +85 °C, unless otherwise specified.*

Symbol	Parameter	Conditions	Min	Typ <sup>[1]</sup>	Max	Unit
<b>Standard port pins, RESET</b>						
I <sub>IL</sub>	LOW-level input current	V <sub>I</sub> = 0 V; on-chip pull-up resistor disabled	-	0.5	10	nA
I <sub>IH</sub>	HIGH-level input current	V <sub>I</sub> = V <sub>DD(3V3)</sub> ; on-chip pull-down resistor disabled	-	0.5	10	nA
I <sub>OZ</sub>	OFF-state output current	V <sub>O</sub> = 0 V; V <sub>O</sub> = V <sub>DD(3V3)</sub> ; on-chip pull-up/down resistors disabled	-	0.5	10	nA
V <sub>I</sub>	input voltage	pin configured to provide a digital function	[15][16][17] 0	-	5.0	V
V <sub>O</sub>	output voltage	output active	0	-	V <sub>DD(3V3)</sub>	V
V <sub>IH</sub>	HIGH-level input voltage		0.7V <sub>DD(3V3)</sub>	-	-	V
V <sub>IL</sub>	LOW-level input voltage		-	-	0.3V <sub>DD(3V3)</sub>	V
V <sub>hys</sub>	hysteresis voltage		0.4	-	-	V
V <sub>OH</sub>	HIGH-level output voltage	I <sub>OH</sub> = -4 mA	V <sub>DD(3V3)</sub> - 0.4	-	-	V
V <sub>OL</sub>	LOW-level output voltage	I <sub>OL</sub> = 4 mA	-	-	0.4	V
I <sub>OH</sub>	HIGH-level output current	V <sub>OH</sub> = V <sub>DD(3V3)</sub> - 0.4 V	-4	-	-	mA
I <sub>OL</sub>	LOW-level output current	V <sub>OL</sub> = 0.4 V	4	-	-	mA
I <sub>OHS</sub>	HIGH-level short-circuit output current	V <sub>OH</sub> = 0 V	[18] -	-	-45	mA
I <sub>OLS</sub>	LOW-level short-circuit output current	V <sub>OL</sub> = V <sub>DD(3V3)</sub>	[18] -	-	50	mA
I <sub>pd</sub>	pull-down current	V <sub>I</sub> = 5 V	10	50	150	μA
I <sub>pu</sub>	pull-up current	V <sub>I</sub> = 0 V	-15	-50	-85	μA
		V <sub>DD(3V3)</sub> < V <sub>I</sub> < 5 V	0	0	0	μA
<b>I<sup>2</sup>C-bus pins (P0[27] and P0[28])</b>						
V <sub>IH</sub>	HIGH-level input voltage		0.7V <sub>DD(3V3)</sub>	-	-	V
V <sub>IL</sub>	LOW-level input voltage		-	-	0.3V <sub>DD(3V3)</sub>	V
V <sub>hys</sub>	hysteresis voltage		-	0.05 × V <sub>DD(3V3)</sub>	-	V
V <sub>OL</sub>	LOW-level output voltage	I <sub>OLS</sub> = 3 mA	-	-	0.4	V
I <sub>LI</sub>	input leakage current	V <sub>I</sub> = V <sub>DD(3V3)</sub>	[19] -	2	4	μA
		V <sub>I</sub> = 5 V	-	10	22	μA
<b>USB pins</b>						
I <sub>OZ</sub>	OFF-state output current	0 V < V <sub>I</sub> < 3.3 V	[20] -	-	±10	μA
V <sub>BUS</sub>	bus supply voltage		[20] -	-	5.25	V

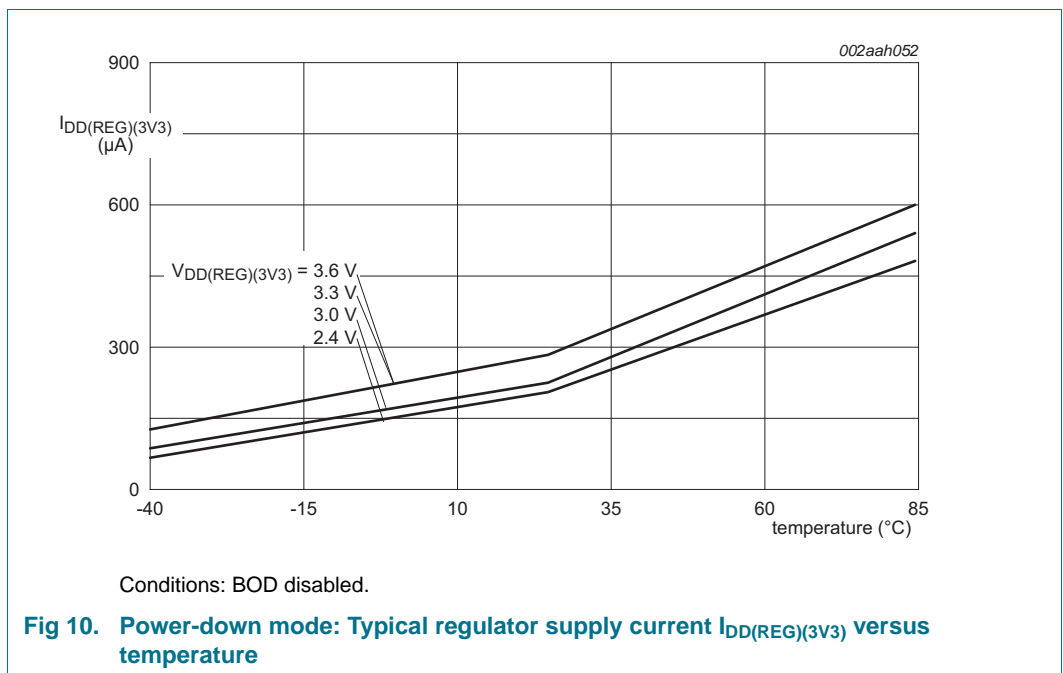
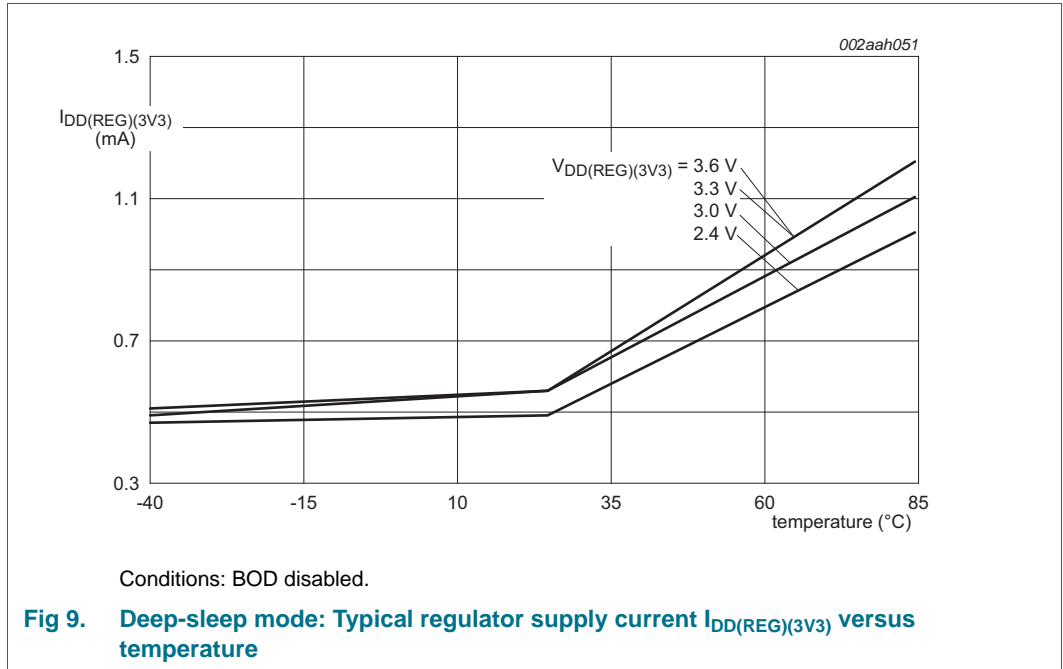


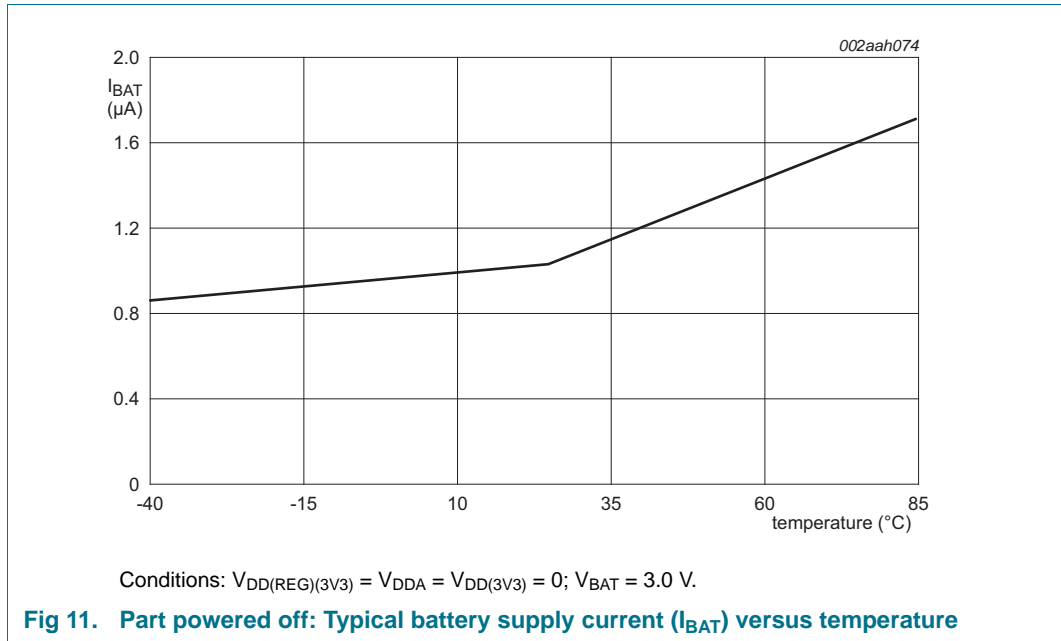
**Table 13. Static characteristics ...continued**  
 $T_{amb} = -40\text{ °C}$  to  $+85\text{ °C}$ , unless otherwise specified.

Symbol	Parameter	Conditions		Min	Typ <sup>[1]</sup>	Max	Unit
$V_{DI}$	differential input sensitivity voltage	$ (D+) - (D-) $	[20]	0.2	-	-	V
$V_{CM}$	differential common mode voltage range	includes $V_{DI}$ range	[20]	0.8	-	2.5	V
$V_{th(rs)se}$	single-ended receiver switching threshold voltage		[20]	0.8	-	2.0	V
$V_{OL}$	LOW-level output voltage for low-/full-speed	$R_L$ of 1.5 k $\Omega$ to 3.6 V	[20]	-	-	0.18	V
$V_{OH}$	HIGH-level output voltage (driven) for low-/full-speed	$R_L$ of 15 k $\Omega$ to GND	[20]	2.8	-	3.5	V
$C_{trans}$	transceiver capacitance	pin to GND	[20]	-	-	20	pF
<b>Oscillator pins (see Section 14.2)</b>							
$V_{i(XTAL1)}$	input voltage on pin XTAL1			-0.5	1.8	1.95	V
$V_{o(XTAL2)}$	output voltage on pin XTAL2			-0.5	1.8	1.95	V
$V_{i(RTCX1)}$	input voltage on pin RTCX1			-0.5	-	3.6	V
$V_{o(RTCX2)}$	output voltage on pin RTCX2			-0.5	-	3.6	V

- [1] Typical ratings are not guaranteed. The values listed are at room temperature (25 °C), nominal supply voltages.
- [2] For USB operation  $3.0\text{ V} \leq V_{DD(3V3)} \leq 3.6\text{ V}$ . Guaranteed by design.
- [3]  $V_{DDA}$  and  $V_{REFP}$  should be tied to  $V_{DD(3V3)}$  if the ADC and DAC are not used.
- [4] The RTC typically fails when  $V_{i(VBAT)}$  drops below 1.6 V.
- [5]  $V_{DD(REG)(3V3)} = 3.3\text{ V}$ ;  $T_{amb} = 25\text{ °C}$  for all power consumption measurements.
- [6] Boost control bits in the PBOOST register set to 0x0 (see *LPC178x/7x User manual UM10470*).
- [7] Boost control bits in the PBOOST register set to 0x3 (see *LPC178x/7x User manual UM10470*).
- [8] IRC running at 12 MHz; main oscillator and PLL disabled; PCLK = CCLK/4.
- [9] BOD disabled.
- [10] On pin VBAT;  $V_{DD(REG)(3V3)} = V_{DD(3V3)} = V_{DDA} = 0$ ;  $T_{amb} = 25\text{ °C}$ .
- [11] On pin VBAT;  $V_{DD(REG)(3V3)} = V_{DD(3V3)} = V_{DDA} = 3.3\text{ V}$ ;  $T_{amb} = 25\text{ °C}$ .
- [12] All internal pull-ups disabled. All pins configured as output and driven LOW.  $V_{DD(3V3)} = 3.3\text{ V}$ ;  $T_{amb} = 25\text{ °C}$ .
- [13]  $V_{DDA} = 3.3\text{ V}$ ;  $T_{amb} = 25\text{ °C}$ .
- [14]  $V_{i(VREFP)} = 3.3\text{ V}$ ;  $T_{amb} = 25\text{ °C}$ .
- [15] Including voltage on outputs in 3-state mode.
- [16]  $V_{DD(3V3)}$  supply voltages must be present.
- [17] 3-state outputs go into 3-state mode in Deep power-down mode.
- [18] Allowed as long as the current limit does not exceed the maximum current allowed by the device.
- [19] To  $V_{SS}$ .
- [20]  $3.0\text{ V} \leq V_{DD(3V3)} \leq 3.6\text{ V}$ .

10.1 Power consumption





## 10.2 Peripheral power consumption

The supply current per peripheral is measured as the difference in supply current between the peripheral block enabled and the peripheral block disabled in the PCONP register. All other blocks are disabled and no code is executed. Measured on a typical sample at  $T_{amb} = 25\text{ }^{\circ}\text{C}$ . The peripheral clock was set to  $PCLK = CCLK/4$  with  $CCLK = 12\text{ MHz}$ ,  $48\text{ MHz}$ , and  $120\text{ MHz}$ .

The combined current of several peripherals running at the same time can be less than the sum of each individual peripheral current measured separately.

**Table 14. Power consumption for individual analog and digital blocks**

$T_{amb} = 25\text{ }^{\circ}\text{C}$ ;  $V_{DD(REG)(3V3)} = V_{DD(3V3)} = V_{DDA} = 3.3\text{ V}$ ;  $PCLK = CCLK/4$ .

Peripheral	Conditions	Typical supply current in mA		
		12 MHz <sup>[1]</sup>	48 MHz <sup>[1]</sup>	120 MHz <sup>[2]</sup>
Timer0	-	0.01	0.06	0.15
Timer1	-	0.02	0.07	0.16
Timer2	-	0.02	0.07	0.17
Timer3	-	0.01	0.07	0.16
Timer0 + Timer1 + Timer2 + Timer3	-	0.07	0.28	0.67
UART0	-	0.05	0.19	0.45
UART1	-	0.06	0.24	0.56
UART2	-	0.05	0.2	0.47
UART3	-	0.06	0.23	0.56
USART4	-	0.07	0.27	0.66
UART0 + UART1 + UART2 + UART3 + USART4	-	0.29	1.13	2.74
PWM0 + PWM1	-	0.08	0.31	0.75
Motor control PWM	-	0.04	0.15	0.36
I2C0	-	0.01	0.03	0.08
I2C1	-	0.01	0.03	0.1
I2C2	-	0.01	0.03	0.08
I2C0 + I2C1 + I2C2	-	0.02	0.1	0.26
SSP0	-	0.03	0.1	0.26
SSP1	-	0.02	0.11	0.27
DAC	-	0.3	0.31	0.33
ADC (12 MHz clock)	-	1.51	1.61	1.7
CAN1	-	0.11	0.44	1.08
CAN2	-	0.1	0.4	0.98
CAN1 + CAN2	-	0.15	0.59	1.44
DMA	PCLK = CCLK	1.1	4.27	10.27
QEI	-	0.02	0.11	0.28
GPIO	-	0.4	1.72	4.16
LCD	-	0.99	3.84	9.25
I2S	-	0.04	0.18	0.46

**Table 14. Power consumption for individual analog and digital blocks ...continued**

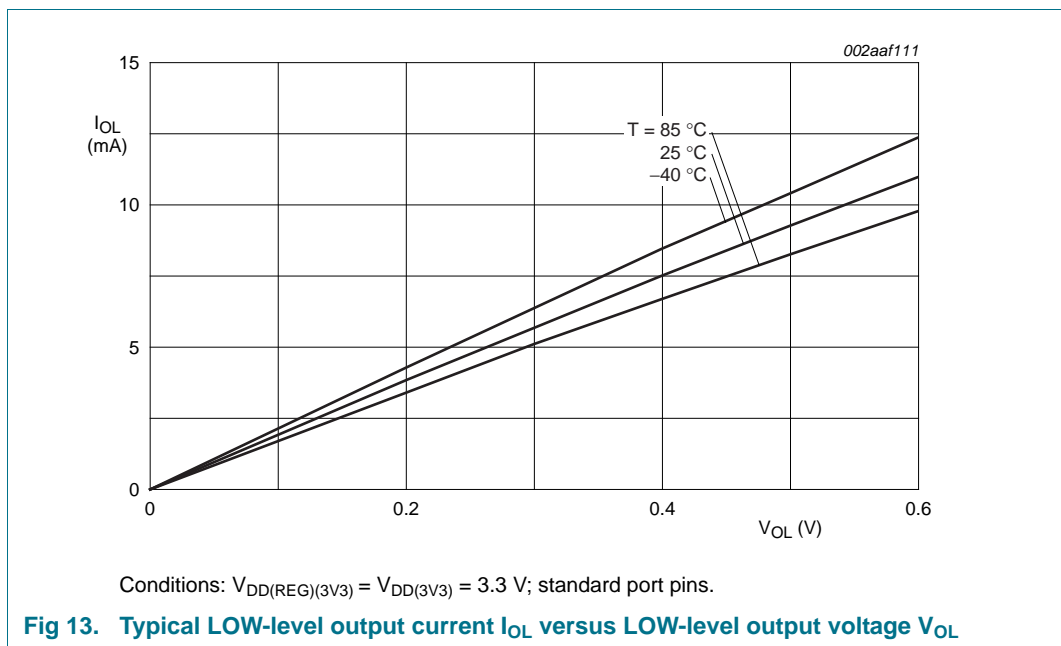
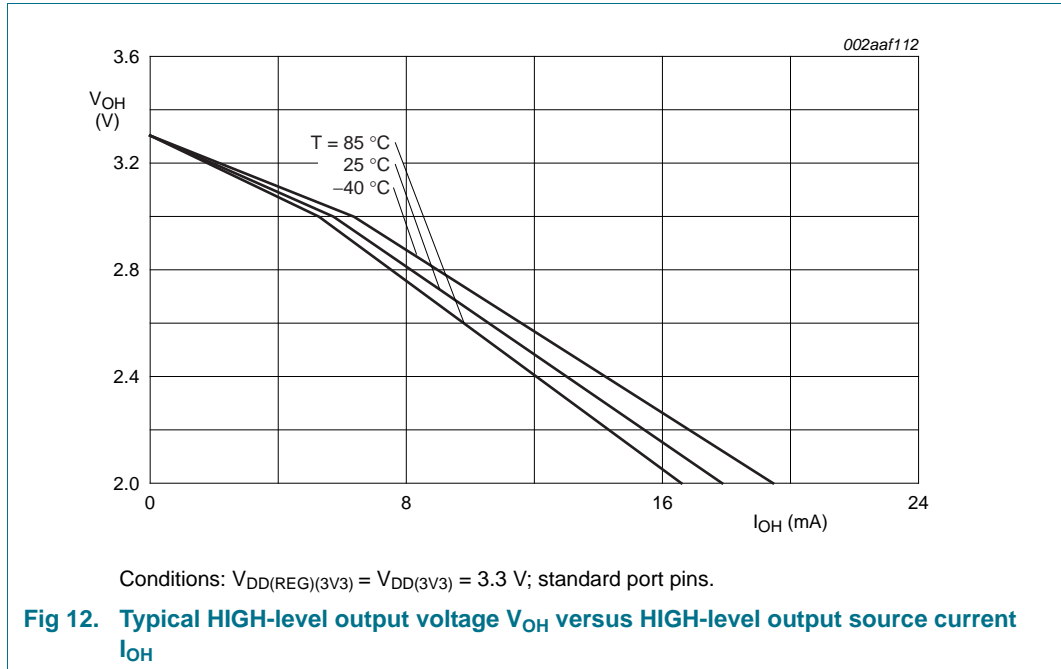
$T_{amb} = 25\text{ }^{\circ}\text{C}$ ;  $V_{DD(REG)(3V3)} = V_{DD(3V3)} = V_{DDA} = 3.3\text{ V}$ ;  $PCLK = CCLK/4$ .

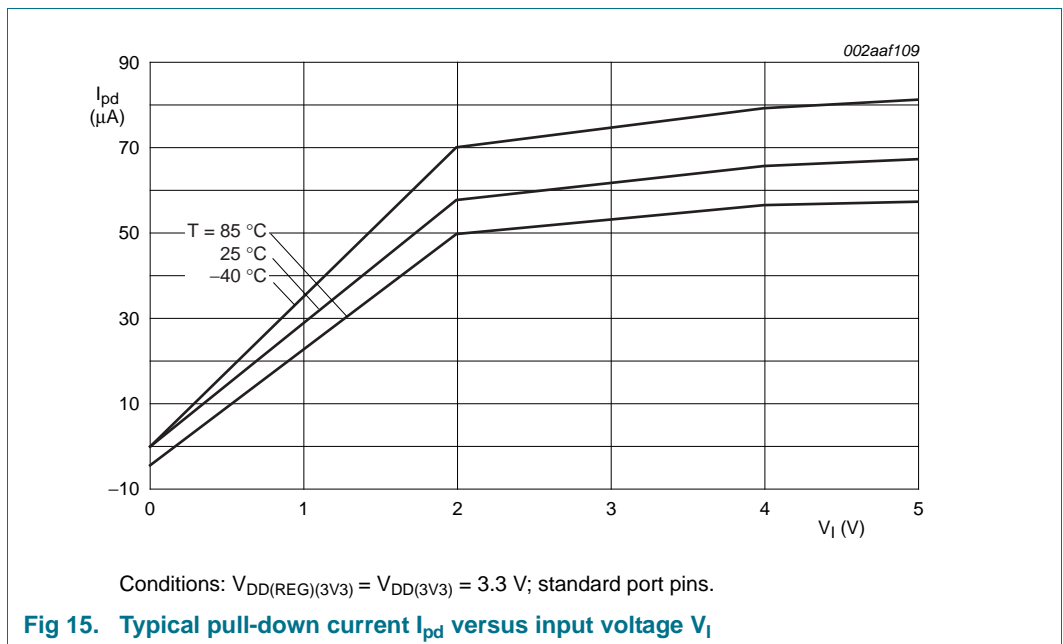
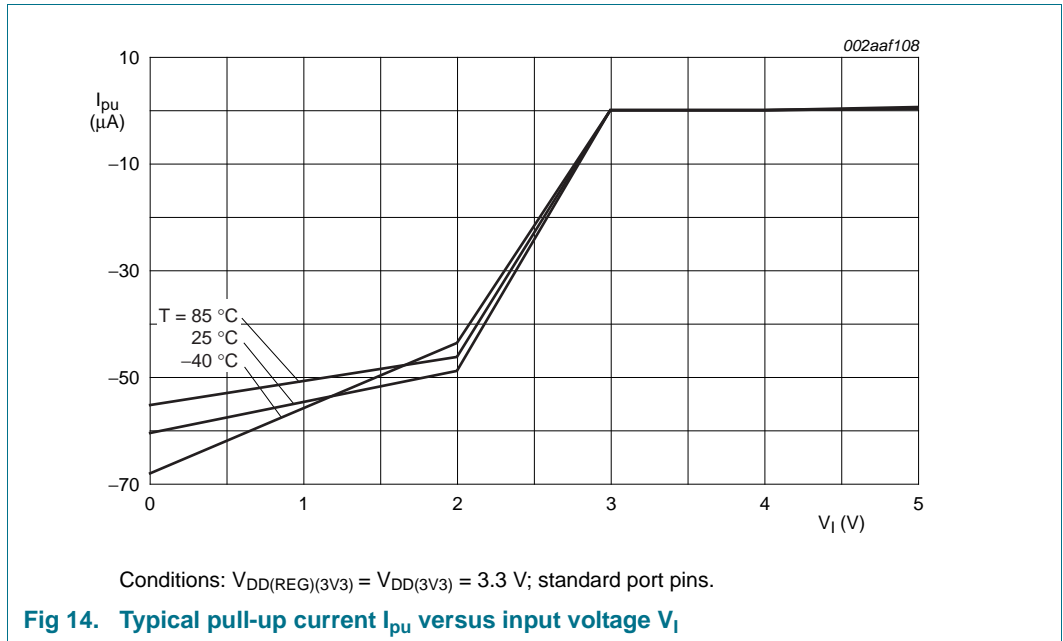
Peripheral	Conditions	Typical supply current in mA		
		12 MHz <sup>[1]</sup>	48 MHz <sup>[1]</sup>	120 MHz <sup>[2]</sup>
EMC	-	0.82	3.17	7.63
RTC	-	0.01	0.01	0.05
USB + PLL1	-	0.62	0.97	1.67
Ethernet	PCENET bit set to 1 in the PCONP register	0.54	2.08	5.03

[1] Boost control bits in the PBOOST register set to 0x0 (see *LPC178x/7x User manual UM10470*).

[2] Boost control bits in the PBOOST register set to 0x3 (see *LPC178x/7x User manual UM10470*).

10.3 Electrical pin characteristics





## 11. Dynamic characteristics

### 11.1 Flash memory

**Table 15. Flash characteristics**

$T_{amb} = -40\text{ }^{\circ}\text{C}$  to  $+85\text{ }^{\circ}\text{C}$ , unless otherwise specified.

Symbol	Parameter	Conditions		Min	Typ	Max	Unit
$N_{\text{endu}}$	endurance	-	[1]	10000	100000	-	cycles
$t_{\text{ret}}$	retention time	powered		10	-	-	years
		unpowered		20	-	-	years
$t_{\text{er}}$	erase time	sector or multiple consecutive sectors		95	100	105	ms
$t_{\text{prog}}$	programming time	-	[2]	0.95	1	1.05	ms

[1] Number of program/erase cycles.

[2] Programming times are given for writing 256 bytes from RAM to the flash. Data must be written to the flash in blocks of 256 bytes.

**Table 16. EEPROM characteristics**

$T_{amb} = -40\text{ }^{\circ}\text{C}$  to  $+85\text{ }^{\circ}\text{C}$ ;  $V_{DD(REG)(3V3)} = 2.7\text{ V}$  to  $3.6\text{ V}$ .

Symbol	Parameter	Conditions		Min	Typ	Max	Unit
$f_{\text{clk}}$	clock frequency	-		200	375	400	kHz
$N_{\text{endu}}$	endurance	-		100000	500000	-	cycles
$t_{\text{ret}}$	retention time	powered		10	-	-	years
		unpowered		10	-	-	years
$t_{\text{er}}$	erase time	64 bytes	[1]	-	1.8	-	ms
$t_{\text{prog}}$	programming time	64 bytes	[1]	-	1.1	-	ms

[1] EEPROM clock frequency = 375 kHz. Programming/erase times increase with decreasing EEPROM clock frequency.



## 11.2 External memory interface

**Table 17. Dynamic characteristics: Static external memory interface**

$C_L = 30\text{ pF}$ ,  $T_{amb} = -40\text{ °C to }85\text{ °C}$ ,  $V_{DD(3V3)} = 3.0\text{ V to }3.6\text{ V}$ . Values guaranteed by design.

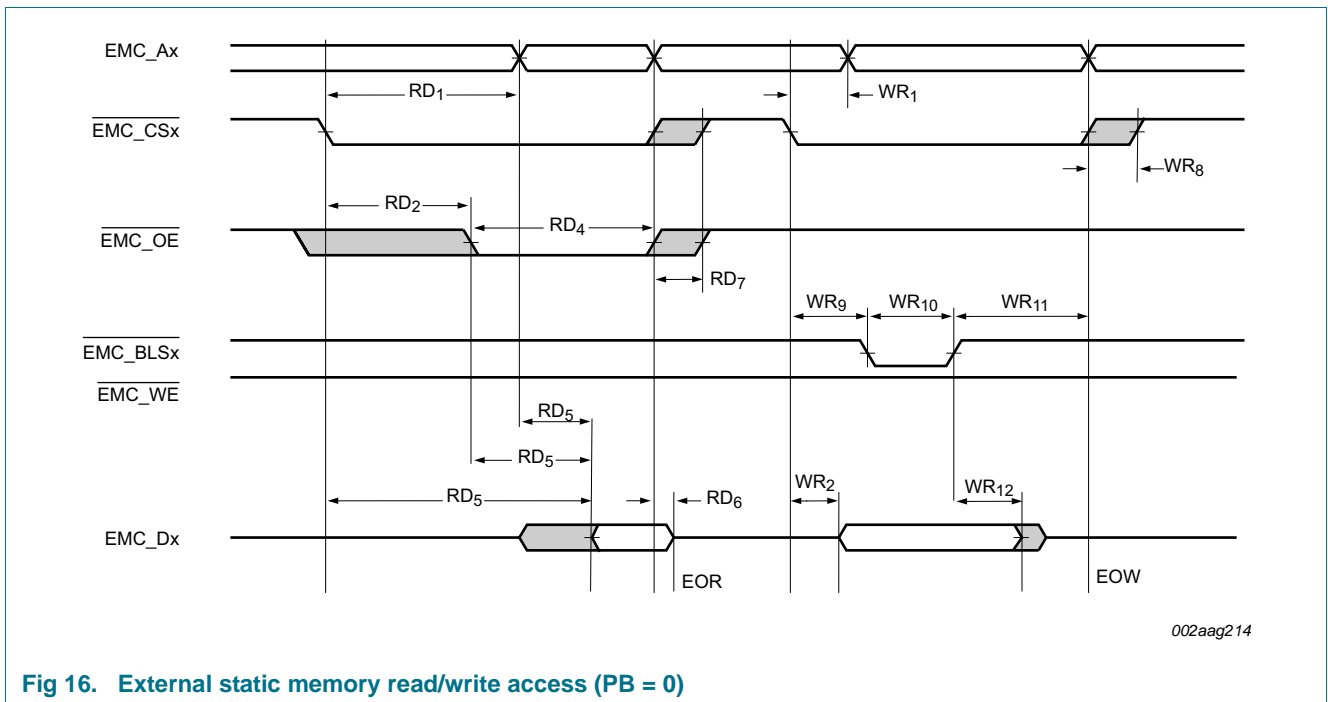
Symbol	Parameter <sup>[1]</sup>	Conditions <sup>[1]</sup>	Min	Typ	Max	Unit
<b>Read cycle parameters<sup>[2]</sup></b>						
t <sub>CSLAV</sub>	$\overline{\text{CS}}$ LOW to address valid time	RD <sub>1</sub>	2.7	3.5	4.7	ns
t <sub>CSLOEL</sub>	$\overline{\text{CS}}$ LOW to $\overline{\text{OE}}$ LOW time	RD <sub>2</sub>	<sup>[3]</sup> 2.7 + T <sub>cy(clk)</sub> × WAITOEN	3.4 + T <sub>cy(clk)</sub> × WAITOEN	4.6 + T <sub>cy(clk)</sub> × WAITOEN	ns
t <sub>CSLBLSL</sub>	$\overline{\text{CS}}$ LOW to $\overline{\text{BLS}}$ LOW time	RD <sub>3</sub> ; PB = 1	<sup>[3]</sup> 2.8	3.8	5.1	ns
t <sub>OELOEH</sub>	$\overline{\text{OE}}$ LOW to $\overline{\text{OE}}$ HIGH time	RD <sub>4</sub>	<sup>[3]</sup> (WAITRD – WAITOEN + 1) × T <sub>cy(clk)</sub> – 2.26	(WAITRD – WAITOEN + 1) × T <sub>cy(clk)</sub> – 2.83	(WAITRD – WAITOEN + 1) × T <sub>cy(clk)</sub> – 3.7	ns
t <sub>am</sub>	memory access time	RD <sub>5</sub>	<sup>[3][4]</sup> (WAITRD – WAITOEN + 1) × T <sub>cy(clk)</sub> – 8.6	(WAITRD – WAITOEN + 1) × T <sub>cy(clk)</sub> – 11.9	(WAITRD – WAITOEN + 1) × T <sub>cy(clk)</sub> – 18.0	ns
t <sub>h(D)</sub>	data input hold time	RD <sub>6</sub>	<sup>[3][5]</sup> –4.1	–5.8	-	ns
t <sub>CSHBLSH</sub>	$\overline{\text{CS}}$ HIGH to $\overline{\text{BLS}}$ HIGH time	PB = 1	2.8	3.7	5.1	ns
t <sub>CSHOEH</sub>	$\overline{\text{CS}}$ HIGH to $\overline{\text{OE}}$ HIGH time		<sup>[3]</sup> 2.7	3.5	4.6	ns
t <sub>OEHAVN</sub>	$\overline{\text{OE}}$ HIGH to address invalid time		<sup>[3]</sup> 0.1	0.1	0.16	ns
t <sub>deact</sub>	deactivation time	RD <sub>7</sub>	<sup>[3]</sup> -	–3.4	–4.7	ns
<b>Write cycle parameters<sup>[2]</sup></b>						
t <sub>CSLAV</sub>	$\overline{\text{CS}}$ LOW to address valid time	WR <sub>1</sub>	2.7	3.5	4.7	ns
t <sub>CSLDV</sub>	$\overline{\text{CS}}$ LOW to data valid time	WR <sub>2</sub>	2.8	3.9	5.1	ns
t <sub>CSLWEL</sub>	$\overline{\text{CS}}$ LOW to $\overline{\text{WE}}$ LOW time	WR <sub>3</sub> ; PB = 1	<sup>[3]</sup> 2.7 + T <sub>cy(clk)</sub> × (1 + WAITWEN)	3.5 + T <sub>cy(clk)</sub> × (1 + WAITWEN)	4.6 + T <sub>cy(clk)</sub> × (1 + WAITWEN)	ns
t <sub>CSLBLSL</sub>	$\overline{\text{CS}}$ LOW to $\overline{\text{BLS}}$ LOW time	WR <sub>4</sub> ; PB = 1	<sup>[3]</sup> 2.8	3.9	5.1	ns
t <sub>WELWEH</sub>	$\overline{\text{WE}}$ LOW to $\overline{\text{WE}}$ HIGH time	WR <sub>5</sub> ; PB = 1	<sup>[3]</sup> (WAITWR – WAITWEN + 1) × T <sub>cy(clk)</sub> – 2.3	(WAITWR – WAITWEN + 1) × T <sub>cy(clk)</sub> – 2.8	(WAITWR – WAITWEN + 1) × T <sub>cy(clk)</sub> – 3.8	ns
t <sub>BLSLBLSH</sub>	$\overline{\text{BLS}}$ LOW to $\overline{\text{BLS}}$ HIGH time	PB = 1	<sup>[3]</sup> (WAITWR – WAITWEN + 3) × T <sub>cy(clk)</sub> – 2.6	(WAITWR – WAITWEN + 3) × T <sub>cy(clk)</sub> – 3.4	(WAITWR – WAITWEN + 3) × T <sub>cy(clk)</sub> – 4.9	ns
t <sub>WEHDNV</sub>	$\overline{\text{WE}}$ HIGH to data invalid time	WR <sub>6</sub> ; PB = 1	<sup>[3]</sup> 2.5 + T <sub>cy(clk)</sub>	3.3 + T <sub>cy(clk)</sub>	4.3 + T <sub>cy(clk)</sub>	ns
t <sub>WEHEOW</sub>	$\overline{\text{WE}}$ HIGH to end of write time	WR <sub>7</sub> ; PB = 1	<sup>[3][6]</sup> T <sub>cy(clk)</sub> – 2.7	T <sub>cy(clk)</sub> – 3.4	T <sub>cy(clk)</sub> – 4.6	ns
t <sub>BLSHDNV</sub>	$\overline{\text{BLS}}$ HIGH to data invalid time	PB = 1	2.7	3.6	4.8	ns
t <sub>WEHAVN</sub>	$\overline{\text{WE}}$ HIGH to address invalid time	PB = 1	<sup>[3]</sup> 2.4 + T <sub>cy(clk)</sub>	3.0 + T <sub>cy(clk)</sub>	3.9 + T <sub>cy(clk)</sub>	ns

**Table 17. Dynamic characteristics: Static external memory interface ...continued**

$C_L = 30\text{ pF}$ ,  $T_{amb} = -40\text{ }^\circ\text{C}$  to  $85\text{ }^\circ\text{C}$ ,  $V_{DD(3V3)} = 3.0\text{ V}$  to  $3.6\text{ V}$ . Values guaranteed by design.

Symbol	Parameter <sup>[1]</sup>	Conditions <sup>[1]</sup>	Min	Typ	Max	Unit
t <sub>deact</sub>	deactivation time	WR <sub>8</sub> ; PB = 0; PB = 1	[3] -2.7	-3.4	-4.7	ns
t <sub>CSLBSL</sub>	$\overline{\text{CS}}$ LOW to $\overline{\text{BLS}}$ LOW	WR <sub>9</sub> ; PB = 0	[3] $2.8 + T_{cy(\text{clk})} \times (1 + \text{WAITWEN})$	$3.7 + T_{cy(\text{clk})} \times (1 + \text{WAITWEN})$	$5.1 + T_{cy(\text{clk})} \times (1 + \text{WAITWEN})$	ns
t <sub>BLSLBSH</sub>	$\overline{\text{BLS}}$ LOW to $\overline{\text{BLS}}$ HIGH time	WR <sub>10</sub> ; PB = 0	[3] $(\text{WAITWR} - \text{WAITWEN} + 3) \times T_{cy(\text{clk})} - 2.6$	$(\text{WAITWR} - \text{WAITWEN} + 3) \times T_{cy(\text{clk})} - 3.4$	$(\text{WAITWR} - \text{WAITWEN} + 3) \times T_{cy(\text{clk})} - 4.9$	ns
t <sub>BLSHEOW</sub>	$\overline{\text{BLS}}$ HIGH to end of write time	WR <sub>11</sub> ; PB = 0	[3][6] $2.6 + T_{cy(\text{clk})}$	$3.3 + T_{cy(\text{clk})}$	$4.4 + T_{cy(\text{clk})}$	ns
t <sub>BLSHDNV</sub>	$\overline{\text{BLS}}$ HIGH to data invalid time	WR <sub>12</sub> ; PB = 0	[3] $2.7 + T_{cy(\text{clk})}$	$3.6 + T_{cy(\text{clk})}$	$4.8 + T_{cy(\text{clk})}$	ns

- [1] Parameters are shown as RD<sub>n</sub> or WD<sub>n</sub> in Figure 16 as indicated in the Conditions column.
- [2] Parameters specified for 40 % of V<sub>DD(3V3)</sub> for rising edges and 60 % of V<sub>DD(3V3)</sub> for falling edges.
- [3] T<sub>cy(clk)</sub> = 1/EMC\_CLK (see LPC178x/7x User manual UM10470).
- [4] Latest of address valid,  $\overline{\text{EMC\_CSx}}$  LOW,  $\overline{\text{EMC\_OE}}$  LOW,  $\overline{\text{EMC\_BLSx}}$  LOW (PB = 1).
- [5] After End Of Read (EOR): Earliest of  $\overline{\text{EMC\_CSx}}$  HIGH,  $\overline{\text{EMC\_OE}}$  HIGH,  $\overline{\text{EMC\_BLSx}}$  HIGH (PB = 1), address invalid.
- [6] End Of Write (EOW): Earliest of address invalid,  $\overline{\text{EMC\_CSx}}$  HIGH,  $\overline{\text{EMC\_BLSx}}$  HIGH (PB = 1).



**Fig 16. External static memory read/write access (PB = 0)**

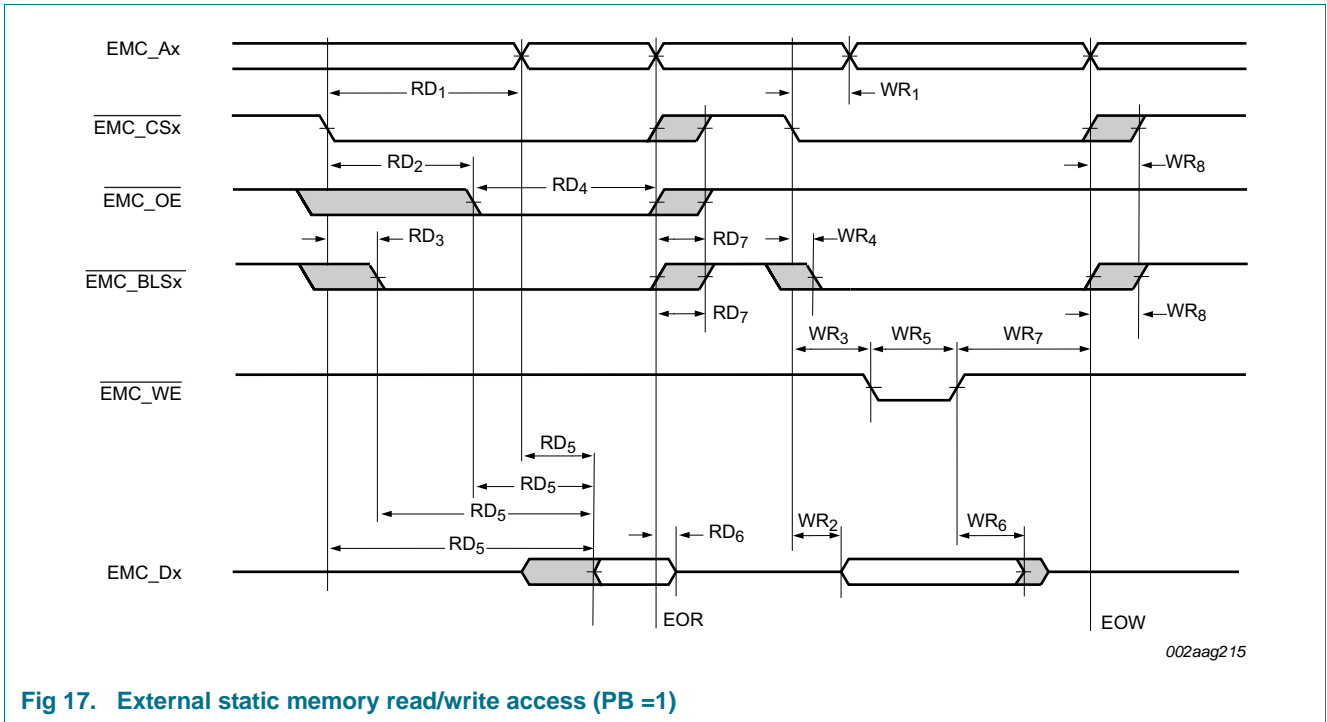


Fig 17. External static memory read/write access (PB =1)

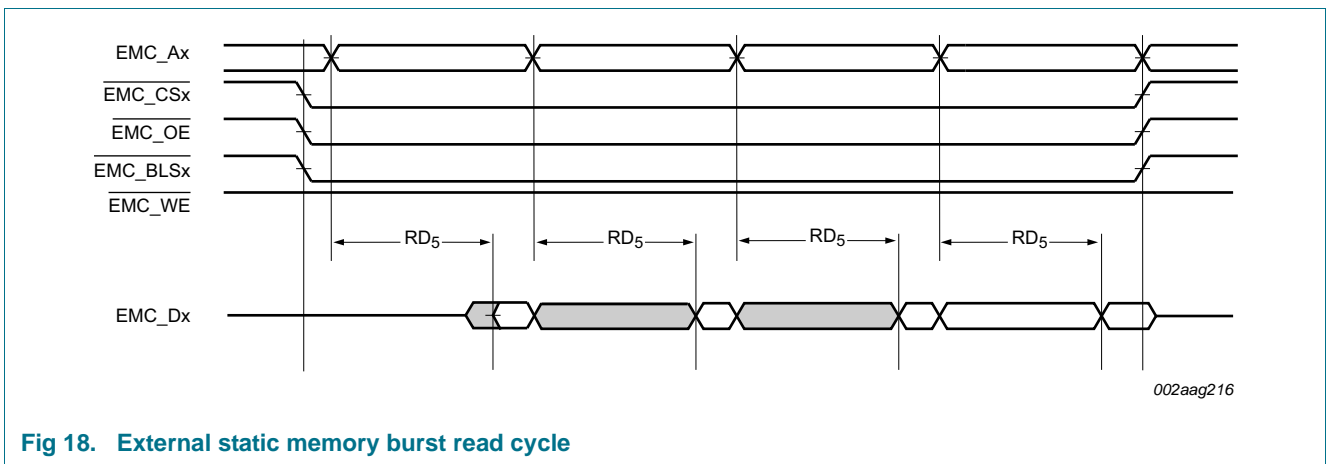


Fig 18. External static memory burst read cycle

**Table 18. Dynamic characteristics: Dynamic external memory interface, read strategy bits (RD bits) = 00**  
 $C_L = 30\text{ pF}$ ,  $T_{amb} = -40\text{ °C to }85\text{ °C}$ ,  $V_{DD(3V3)} = 3.0\text{ V to }3.6\text{ V}$ . Values guaranteed by design.

Symbol	Parameter		Min	Typ	Max	Unit
<b>Common to read and write cycles</b>						
$T_{cy(clk)}$	clock cycle time	[1]	12.5	-	-	ns
$t_{d(SV)}$	chip select valid delay time	[2]	$(CLKDLY + 1) \times 0.25 + 4.1$	$(CLKDLY + 1) \times 0.25 + 5.7$	$(CLKDLY + 1) \times 0.25 + 8.4$	ns
$t_{h(S)}$	chip select hold time	[2]	$(CLKDLY + 1) \times 0.25 + 0.5$	$(CLKDLY + 1) \times 0.25 + 1.1$	$(CLKDLY + 1) \times 0.25 + 2.7$	ns
$t_{d(RASV)}$	row address strobe valid delay time	[2]	$(CLKDLY + 1) \times 0.25 + 4.2$	$(CLKDLY + 1) \times 0.25 + 5.8$	$(CLKDLY + 1) \times 0.25 + 8.4$	ns
$t_{h(RAS)}$	row address strobe hold time	[2]	$(CLKDLY + 1) \times 0.25 + 0.6$	$(CLKDLY + 1) \times 0.25 + 1.2$	$(CLKDLY + 1) \times 0.25 + 2.9$	ns
$t_{d(CASV)}$	column address strobe valid delay time	[2]	$(CLKDLY + 1) \times 0.25 + 4.2$	$(CLKDLY + 1) \times 0.25 + 5.8$	$(CLKDLY + 1) \times 0.25 + 8.4$	ns
$t_{h(CAS)}$	column address strobe hold time	[2]	$(CLKDLY + 1) \times 0.25 + 0.6$	$(CLKDLY + 1) \times 0.25 + 1.2$	$(CLKDLY + 1) \times 0.25 + 2.9$	ns
$t_{d(WV)}$	write valid delay time	[2]	$(CLKDLY + 1) \times 0.25 + 4.9$	$(CLKDLY + 1) \times 0.25 + 6.6$	$(CLKDLY + 1) \times 0.25 + 9.9$	ns
$t_{h(W)}$	write hold time	[2]	$(CLKDLY + 1) \times 0.25 + 0.9$	$(CLKDLY + 1) \times 0.25 + 1.7$	$(CLKDLY + 1) \times 0.25 + 3.6$	ns
$t_{d(AV)}$	address valid delay time	[2]	$(CLKDLY + 1) \times 0.25 + 4.7$	$(CLKDLY + 1) \times 0.25 + 6.6$	$(CLKDLY + 1) \times 0.25 + 9.6$	ns
$t_{h(A)}$	address hold time	[2]	$(CLKDLY + 1) \times 0.25 + 0.4$	$(CLKDLY + 1) \times 0.25 + 0.8$	$(CLKDLY + 1) \times 0.25 + 2.4$	ns
<b>Read cycle parameters</b>						
$t_{su(D)}$	data input set-up time	[3]	$(FBCLKDLY + 1) \times 0.25 + 0.3$	$(FBCLKDLY + 1) \times 0.25 + 3.1$	-	ns
$t_{h(D)}$	data input hold time	[4]	$(FBCLKDLY + 1) \times 0.25 + 3.7$	$(FBCLKDLY + 1) \times 0.25 + 4.3$	$(FBCLKDLY + 1) \times 0.25 + 5.2$	ns
<b>Write cycle parameters</b>						
$t_{d(QV)}$	data output valid delay time	[2]	$(CLKDLY + 1) \times 0.25 + 4.8$	$(CLKDLY + 1) \times 0.25 + 6.8$	$(CLKDLY + 1) \times 0.25 + 9.8$	ns
$t_{h(Q)}$	data output hold time	[2]	$(CLKDLY + 1) \times 0.25 - 0.4$	$(CLKDLY + 1) \times 0.25 + 0$	$(CLKDLY + 1) \times 0.25 + 1.1$	ns

[1] Refers to SDRAM clock signal EMC\_CLKx.

[2] CLKDLY = CLKOUTnDLY, where n = 0, 1.

[3] The data input set-up time has to be selected with the following margin:  
 $t_{su(D)} + \text{delay time of feedback clock} - \text{SDRAM access time} - \text{board delay time} \geq 0$ .

[4] The data input hold time has to be selected with the following margin:  
 $t_{h(D)} + \text{SDRAM access time} - \text{board delay time} - \text{delay time of feedback clock} \geq 0$ .

**Table 19. Dynamic characteristics: Dynamic external memory interface, read strategy bits (RD bits) = 01**  
 $C_L = 30\text{ pF}$ ,  $T_{amb} = -40\text{ °C to }85\text{ °C}$ ,  $V_{DD(3V3)} = 3.0\text{ V to }3.6\text{ V}$ . Values guaranteed by design.

Symbol	Parameter		Min	Typ	Max	Unit
<b>Common to read and write cycles</b>						
$T_{cy(\text{clk})}$	clock cycle time	[1]	12.5	-	-	ns
$t_{d(\text{SV})}$	chip select valid delay time		$(\text{CMDDLY} + 1) \times 0.25 + 4.6$	$(\text{CMDDLY} + 1) \times 0.25 + 6.4$	$(\text{CMDDLY} + 1) \times 0.25 + 9.5$	ns
$t_{h(\text{S})}$	chip select hold time		$(\text{CMDDLY} + 1) \times 0.25 + 0.9$	$(\text{CMDDLY} + 1) \times 0.25 + 1.7$	$(\text{CMDDLY} + 1) \times 0.25 + 3.9$	ns
$t_{d(\text{RASV})}$	row address strobe valid delay time		$(\text{CMDDLY} + 1) \times 0.25 + 4.6$	$(\text{CMDDLY} + 1) \times 0.25 + 6.4$	$(\text{CMDDLY} + 1) \times 0.25 + 9.5$	ns
$t_{h(\text{RAS})}$	row address strobe hold time		$(\text{CMDDLY} + 1) \times 0.25 + 1.0$	$(\text{CMDDLY} + 1) \times 0.25 + 1.8$	$(\text{CMDDLY} + 1) \times 0.25 + 4.0$	ns
$t_{d(\text{CASV})}$	column address strobe valid delay time		$(\text{CMDDLY} + 1) \times 0.25 + 4.6$	$(\text{CMDDLY} + 1) \times 0.25 + 6.5$	$(\text{CMDDLY} + 1) \times 0.25 + 9.6$	ns
$t_{h(\text{CAS})}$	column address strobe hold time		$(\text{CMDDLY} + 1) \times 0.25 + 1.0$	$(\text{CMDDLY} + 1) \times 0.25 + 1.8$	$(\text{CMDDLY} + 1) \times 0.25 + 4.1$	ns
$t_{d(\text{WV})}$	write valid delay time		$(\text{CMDDLY} + 1) \times 0.25 + 5.1$	$(\text{CMDDLY} + 1) \times 0.25 + 7.1$	$(\text{CMDDLY} + 1) \times 0.25 + 10.6$	ns
$t_{h(\text{W})}$	write hold time		$(\text{CMDDLY} + 1) \times 0.25 + 1.4$	$(\text{CMDDLY} + 1) \times 0.25 + 2.4$	$(\text{CMDDLY} + 1) \times 0.25 + 4.9$	ns
$t_{d(\text{AV})}$	address valid delay time		$(\text{CMDDLY} + 1) \times 0.25 + 5.1$	$(\text{CMDDLY} + 1) \times 0.25 + 7.2$	$(\text{CMDDLY} + 1) \times 0.25 + 10.6$	ns
$t_{h(\text{A})}$	address hold time		$(\text{CMDDLY} + 1) \times 0.25 + 0.8$	$(\text{CMDDLY} + 1) \times 0.25 + 1.5$	$(\text{CMDDLY} + 1) \times 0.25 + 3.6$	ns
<b>Read cycle parameters</b>						
$t_{su(\text{D})}$	data input set-up time	[2]	$(\text{FBCLKDLY} + 1) \times 0.25 + 0.9$	$(\text{FBCLKDLY} + 1) \times 0.25 + 3.1$	-	ns
$t_{h(\text{D})}$	data input hold time	[3]	$(\text{FBCLKDLY} + 1) \times 0.25 + 3.7$	$(\text{FBCLKDLY} + 1) \times 0.25 + 4.3$	$(\text{FBCLKDLY} + 1) \times 0.25 + 5.2$	ns
<b>Write cycle parameters</b>						
$t_{d(\text{QV})}$	data output valid delay time		$(\text{CMDDLY} + 1) \times 0.25 + 5.1$	$(\text{CMDDLY} + 1) \times 0.25 + 7.4$	$(\text{CMDDLY} + 1) \times 0.25 + 10.8$	ns
$t_{h(\text{Q})}$	data output hold time		$(\text{CMDDLY} + 1) \times 0.25 + 0.02$	$(\text{CMDDLY} + 1) \times 0.25 + 0.6$	$(\text{CMDDLY} + 1) \times 0.25 + 2.3$	ns

[1] Refers to SDRAM clock signal EMC\_CLKx.

[2] The data input set-up time has to be selected with the following margin:  
 $t_{su(\text{D})} + \text{delay time of feedback clock} - \text{SDRAM access time} - \text{board delay time} \geq 0$ .

[3] The data input hold time has to be selected with the following margin:  
 $t_{h(\text{D})} + \text{SDRAM access time} - \text{board delay time} - \text{delay time of feedback clock} \geq 0$ .

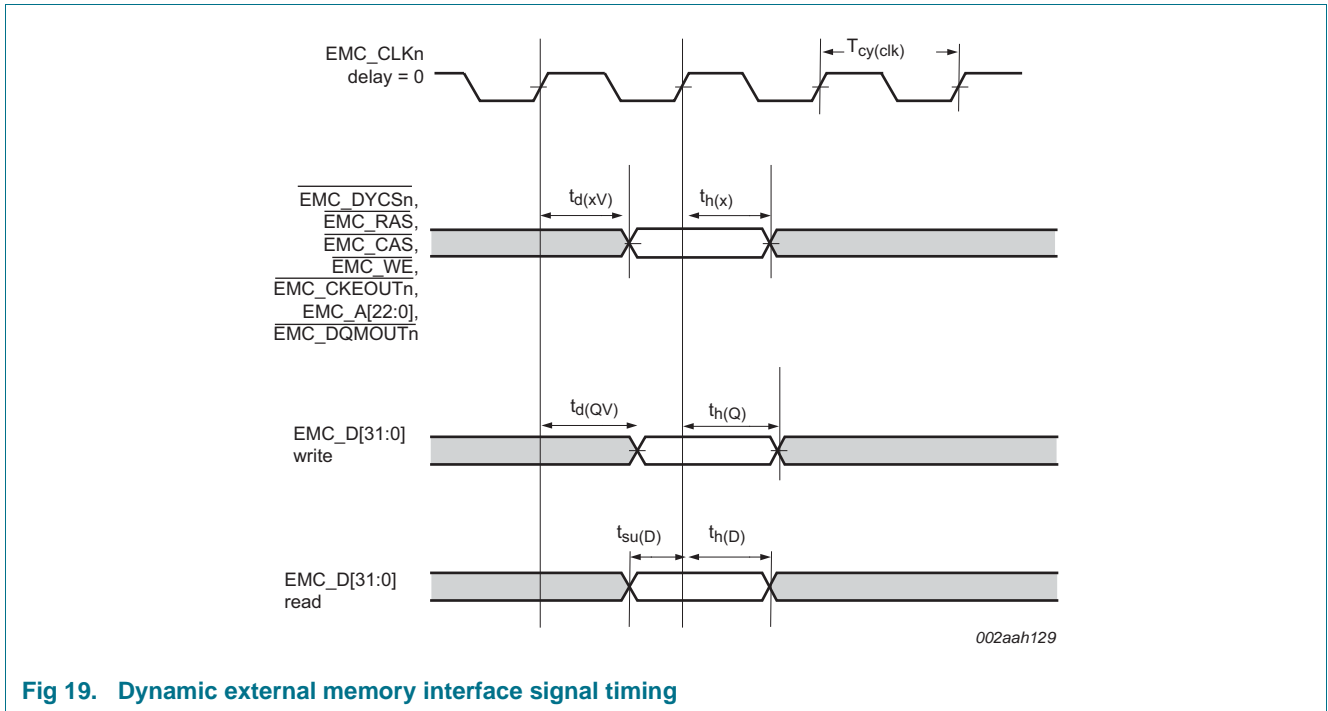


Fig 19. Dynamic external memory interface signal timing

Table 20. Dynamic characteristics: Dynamic external memory interface programmable clock delays

$C_L = 30\text{ pF}$ ,  $T_{amb} = -40\text{ }^\circ\text{C}$  to  $85\text{ }^\circ\text{C}$ ,  $V_{DD(3V3)} = 3.0\text{ V}$  to  $3.6\text{ V}$ . Values guaranteed by design.

Symbol	Parameter	Conditions	Min	Max	Unit	
t <sub>d</sub>	delay time	Programmable delay block 0 (CMDDLY or CLKOUTnDLY bit 0 = 1)	[1]	0.1	0.2	ns
		Programmable delay block 1 (CMDDLY or CLKOUTnDLY bit 1 = 1)	[1]	0.2	0.5	ns
		Programmable delay block 2 (CMDDLY or CLKOUTnDLY bit 2 = 1)	[1]	0.5	1.3	ns
		Programmable delay block 3 (CMDDLY or CLKOUTnDLY bit 3 = 1)	[1]	1.2	2.9	ns
		Programmable delay block 4 (CMDDLY or CLKOUTnDLY bit 4 = 1)	[1]	2.4	6.0	ns

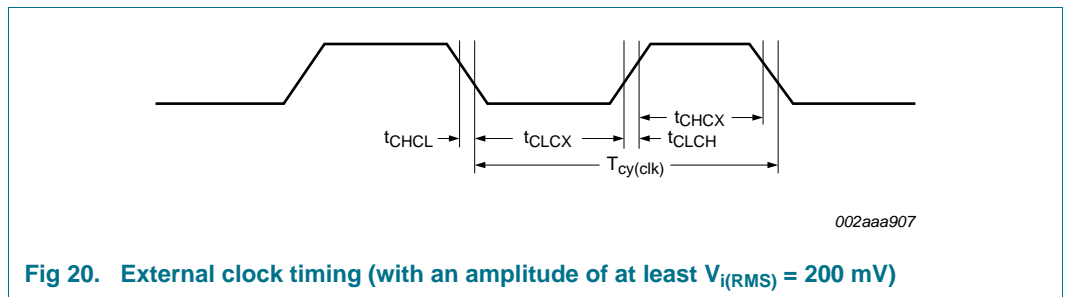
[1] The programmable delay blocks are controlled by the EMC DLYCTL register in the EMC register block. All delay times are incremental delays for each element starting from delay block 0. See the *LPC178x/7x user manual* for details.

### 11.3 External clock

**Table 21. Dynamic characteristic: external clock (see Figure 36)**

$T_{amb} = -40\text{ }^{\circ}\text{C}$  to  $+85\text{ }^{\circ}\text{C}$ ;  $V_{DD(3V3)}$  over specified ranges.

Symbol	Parameter	Min	Typ	Max	Unit
$f_{osc}$	oscillator frequency	1	12	25	MHz
$T_{cy(clk)}$	clock cycle time	40	83.3	1000	ns
$t_{CHCX}$	clock HIGH time	$T_{cy(clk)} \times 0.4$	-	-	ns
$t_{CLCX}$	clock LOW time	$T_{cy(clk)} \times 0.4$	-	-	ns
$t_{CLCH}$	clock rise time	-	-	5	ns
$t_{CHCL}$	clock fall time	-	-	5	ns



**Fig 20. External clock timing (with an amplitude of at least  $V_{i(RMS)} = 200\text{ mV}$ )**

### 11.4 Internal oscillators

**Table 22. Dynamic characteristic: internal oscillators**

$T_{amb} = -40\text{ }^{\circ}\text{C}$  to  $+85\text{ }^{\circ}\text{C}$ ;  $2.7\text{ V} \leq V_{DD(REG)(3V3)} \leq 3.6\text{ V}$ .<sup>[1]</sup>

Symbol	Parameter	Min	Typ <sup>[2]</sup>	Max	Unit
$f_{osc(RC)}$	internal RC oscillator frequency	11.88	12	12.12	MHz
$f_{i(RTC)}$	RTC input frequency	-	32.768	-	kHz

[1] Parameters are valid over operating temperature range unless otherwise specified.

[2] Typical ratings are not guaranteed. The values listed are at room temperature (25 °C), nominal supply voltages.

### 11.5 I/O pins

**Table 23. Dynamic characteristic: I/O pins<sup>[1]</sup>**

$C_L = 10\text{ pF}$ ,  $T_{amb} = -40\text{ }^{\circ}\text{C}$  to  $+85\text{ }^{\circ}\text{C}$ ;  $V_{DD(3V3)} = 3.0\text{ V}$  to  $3.6\text{ V}$ .

Symbol	Parameter	Conditions	Min	Typ	Max	Unit
$t_r$	rise time	pin configured as output	3.0	-	5.0	ns
$t_f$	fall time	pin configured as output	2.5	-	5.0	ns

[1] Applies to standard port pins.

## 11.6 SSP interface

**Table 24. Dynamic characteristics: SSP pins in SPI mode**

$C_L = 10\text{ pF}$ ,  $T_{amb} = -40\text{ °C to }85\text{ °C}$ ,  $V_{DD(3V3)} = 3.0\text{ V to }3.6\text{ V}$ . Values guaranteed by design.

Symbol	Parameter	Conditions		Min	Max	Unit
<b>SSP master</b>						
$T_{cy(clk)}$	clock cycle time	full-duplex mode	[1]	30	-	ns
		when only transmitting		30	-	ns
$t_{DS}$	data set-up time	in SPI mode	[2]	14.8	-	ns
$t_{DH}$	data hold time	in SPI mode	[2]	2	-	ns
$t_{v(Q)}$	data output valid time	in SPI mode	[2]	-	6.3	ns
$t_{h(Q)}$	data output hold time	in SPI mode	[2]	-2.4	-	ns
<b>SSP slave</b>						
$T_{cy(clk)}$	clock cycle time		[3]	100	-	ns
$t_{DS}$	data set-up time	in SPI mode	[3][4]	14.8	-	ns
$t_{DH}$	data hold time	in SPI mode	[3][4]	2	-	ns
$t_{v(Q)}$	data output valid time	in SPI mode	[3][4]	-	$3 \cdot T_{cy(PCLK)} + 6.3$	ns
$t_{h(Q)}$	data output hold time	in SPI mode	[3][4]	-2.4	-	ns

[1] The minimum clock cycle time, and therefore the maximum frequency of the SSP in master mode, is limited by the pin electronics to the value given. The SSP block should not be configured to generate a clock faster than that. At and below the maximum frequency,  $T_{cy(clk)} = (SSPCLKDIV \times (1 + SCR) \times CPSDVSR) / f_{main}$ . The clock cycle time derived from the SPI bit rate  $T_{cy(clk)}$  is a function of the main clock frequency  $f_{main}$ , the SSP peripheral clock divider (SSPCLKDIV), the SSP SCR parameter (specified in the SSP0CR0 register), and the SSP CPSDVSR parameter (specified in the SSP clock prescale register).

[2]  $T_{amb} = -40\text{ °C to }85\text{ °C}$ ;  $V_{DD(3V3)} = 3.0\text{ V to }3.6\text{ V}$ .

[3]  $T_{cy(clk)} = 12 \times T_{cy(PCLK)}$ . The maximum clock rate in slave mode is 1/12th of the PCLK rate.

[4]  $T_{amb} = 25\text{ °C}$ ;  $V_{DD(3V3)} = 3.3\text{ V}$ .



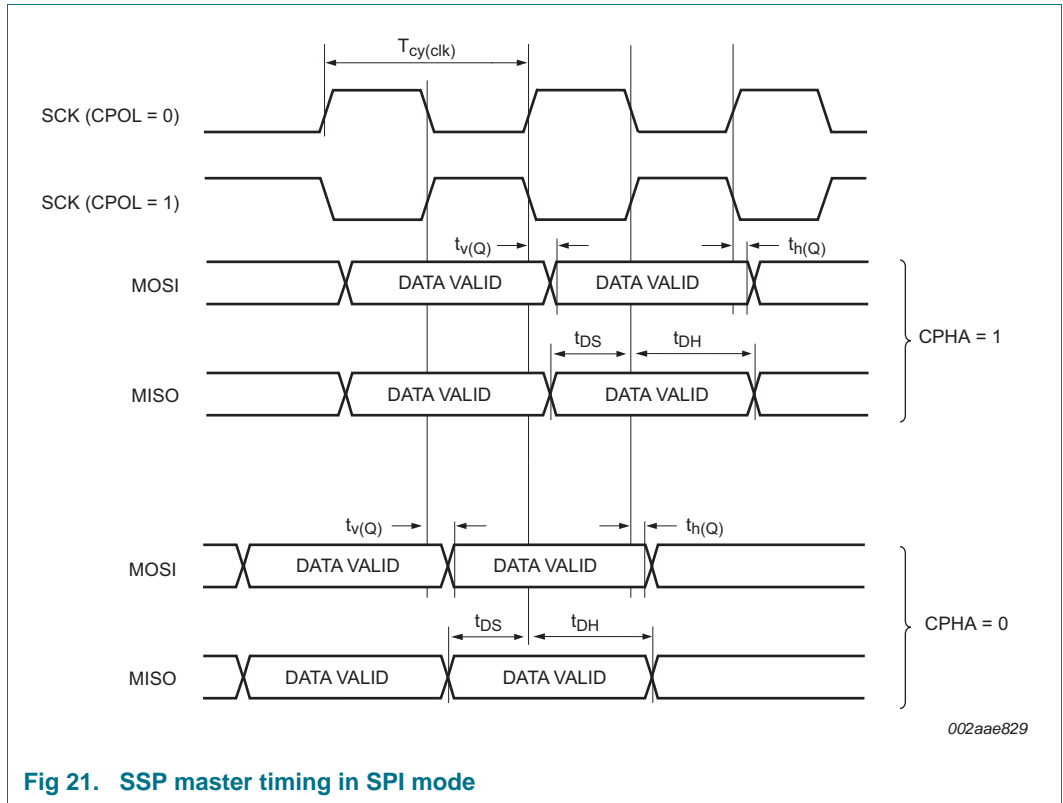


Fig 21. SSP master timing in SPI mode

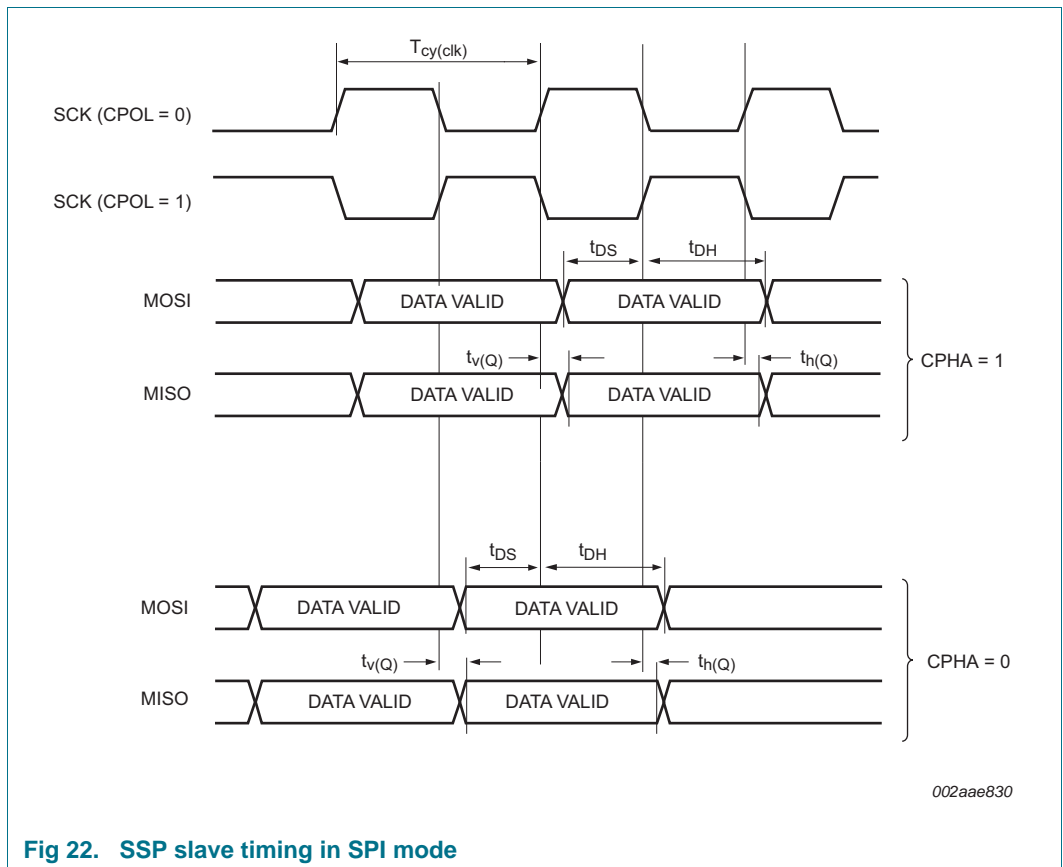


Fig 22. SSP slave timing in SPI mode

11.7 I<sup>2</sup>C-busTable 25. Dynamic characteristic: I<sup>2</sup>C-bus pins<sup>[1]</sup> $T_{amb} = -40\text{ }^{\circ}\text{C}$  to  $+85\text{ }^{\circ}\text{C}$ .<sup>[2]</sup>

Symbol	Parameter		Conditions	Min	Max	Unit
f <sub>SCL</sub>	SCL clock frequency		Standard-mode	0	100	kHz
			Fast-mode	0	400	kHz
			Fast-mode Plus	0	1	MHz
t <sub>f</sub>	fall time	<a href="#">[4][5][6][7]</a>	of both SDA and SCL signals Standard-mode	-	300	ns
			Fast-mode	$20 + 0.1 \times C_b$	300	ns
			Fast-mode Plus	-	120	ns
t <sub>LOW</sub>	LOW period of the SCL clock		Standard-mode	4.7	-	μs
			Fast-mode	1.3	-	μs
			Fast-mode Plus	0.5	-	μs
t <sub>HIGH</sub>	HIGH period of the SCL clock		Standard-mode	4.0	-	μs
			Fast-mode	0.6	-	μs
			Fast-mode Plus	0.26	-	μs
t <sub>HD;DAT</sub>	data hold time	<a href="#">[3][4][8]</a>	Standard-mode	0	-	μs
			Fast-mode	0	-	μs
			Fast-mode Plus	0	-	μs
t <sub>SU;DAT</sub>	data set-up time	<a href="#">[9][10]</a>	Standard-mode	250	-	ns
			Fast-mode	100	-	ns
			Fast-mode Plus	50	-	ns

[1] See the I<sup>2</sup>C-bus specification *UM10204* for details.

[2] Parameters are valid over operating temperature range unless otherwise specified.

[3] t<sub>HD;DAT</sub> is the data hold time that is measured from the falling edge of SCL; applies to data in transmission and the acknowledge.

[4] A device must internally provide a hold time of at least 300 ns for the SDA signal (with respect to the V<sub>IH(min)</sub> of the SCL signal) to bridge the undefined region of the falling edge of SCL.

[5] C<sub>b</sub> = total capacitance of one bus line in pF.

[6] The maximum t<sub>f</sub> for the SDA and SCL bus lines is specified at 300 ns. The maximum fall time for the SDA output stage t<sub>f</sub> is specified at 250 ns. This allows series protection resistors to be connected in between the SDA and the SCL pins and the SDA/SCL bus lines without exceeding the maximum specified t<sub>f</sub>.

[7] In Fast-mode Plus, fall time is specified the same for both output stage and bus timing. If series resistors are used, designers should allow for this when considering bus timing.

[8] The maximum t<sub>HD;DAT</sub> could be 3.45 μs and 0.9 μs for Standard-mode and Fast-mode but must be less than the maximum of t<sub>VD;DAT</sub> or t<sub>VD;ACK</sub> by a transition time (see *UM10204*). This maximum must only be met if the device does not stretch the LOW period (t<sub>LOW</sub>) of the SCL signal. If the clock stretches the SCL, the data must be valid by the set-up time before it releases the clock.

[9] t<sub>SU;DAT</sub> is the data set-up time that is measured with respect to the rising edge of SCL; applies to data in transmission and the acknowledge.

[10] A Fast-mode I<sup>2</sup>C-bus device can be used in a Standard-mode I<sup>2</sup>C-bus system but the requirement t<sub>SU;DAT</sub> = 250 ns must then be met. This will automatically be the case if the device does not stretch the LOW period of the SCL signal. If such a device does stretch the LOW period of the SCL signal, it must output the next data bit to the SDA line t<sub>r(max)</sub> + t<sub>SU;DAT</sub> = 1000 + 250 = 1250 ns (according to the Standard-mode I<sup>2</sup>C-bus specification) before the SCL line is released. Also the acknowledge timing must meet this set-up time.

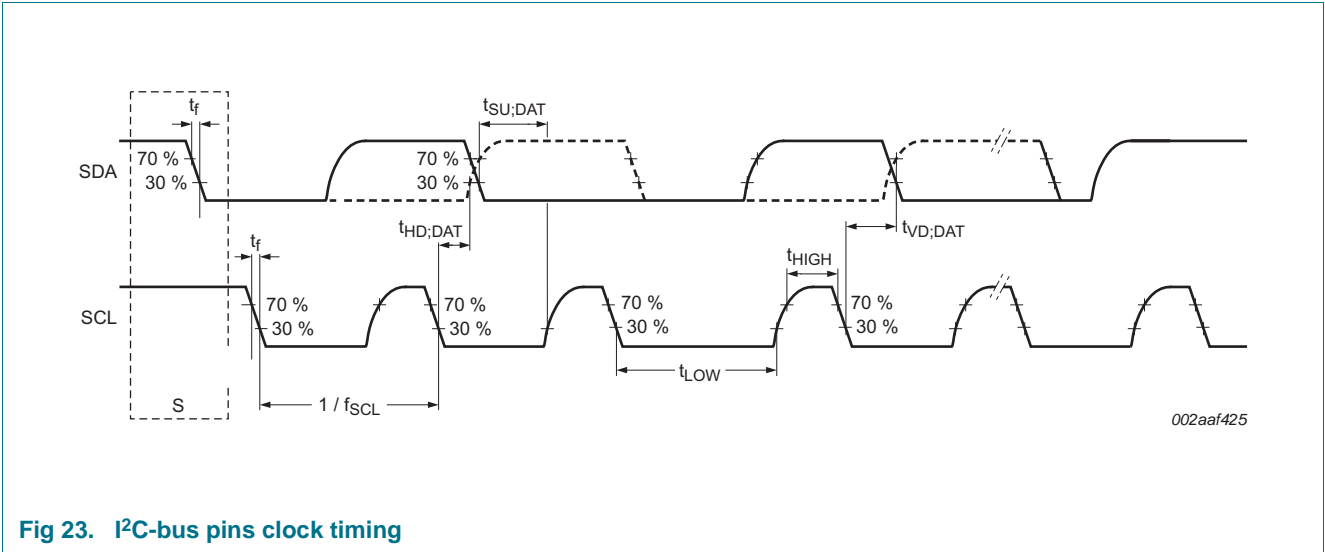


Fig 23. I<sup>2</sup>C-bus pins clock timing

### 11.8 I<sup>2</sup>S-bus interface

Table 26. Dynamic characteristics: I<sup>2</sup>S-bus interface pins

$C_L = 10\text{ pF}$ ,  $T_{amb} = -40\text{ }^\circ\text{C}$  to  $85\text{ }^\circ\text{C}$ ,  $V_{DD(3V3)} = 3.0\text{ V}$  to  $3.6\text{ V}$ . Values guaranteed by design.

Symbol	Parameter	Conditions	Min	Max	Unit
<b>common to input and output</b>					
$t_r$	rise time		[1]	6.7	ns
$t_f$	fall time		[1]	8.0	ns
$t_{WH}$	pulse width HIGH	on pins I2S_TX_SCK and I2S_RX_SCK	[1]	25	-
$t_{WL}$	pulse width LOW	on pins I2S_TX_SCK and I2S_RX_SCK	[1]	-	25 ns
<b>output</b>					
$t_{V(Q)}$	data output valid time	on pin I2S_TX_SDA;	[1]	-	6 ns
<b>input</b>					
$t_{su(D)}$	data input set-up time	on pin I2S_RX_SDA	[1]	5	ns
$t_{h(D)}$	data input hold time	on pin I2S_RX_SDA	[1]	2	ns

[1] CCLK = 100 MHz; peripheral clock to the I<sup>2</sup>S-bus interface PCLK = CCLK / 4. I<sup>2</sup>S clock cycle time  $T_{cy(clk)} = 1600\text{ ns}$ , corresponds to the SCK signal in the I<sup>2</sup>S-bus specification.

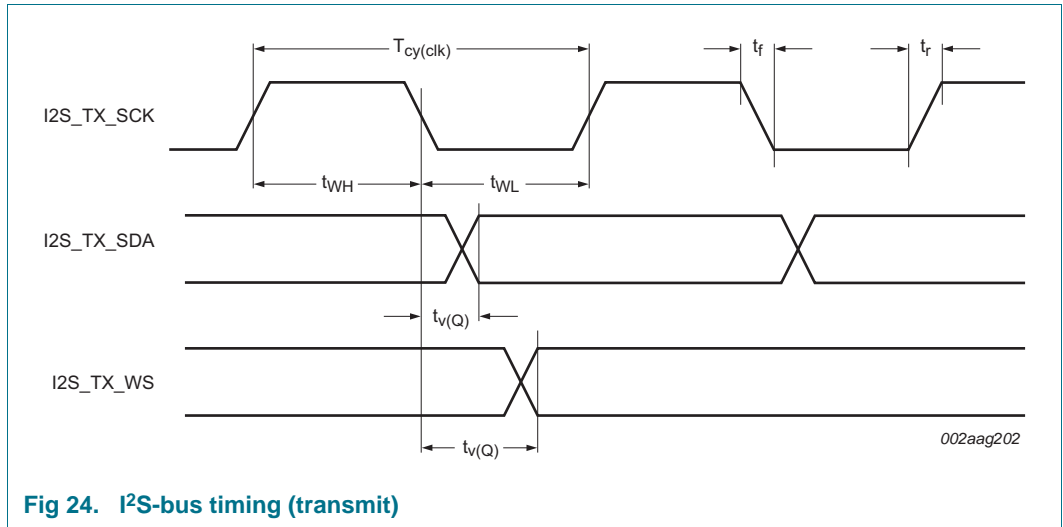


Fig 24. I<sup>2</sup>S-bus timing (transmit)

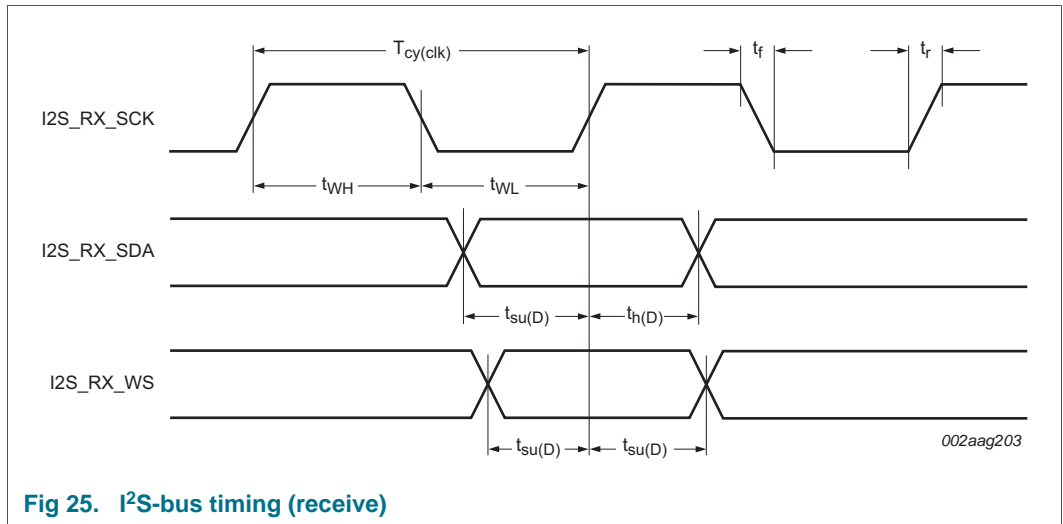


Fig 25. I<sup>2</sup>S-bus timing (receive)

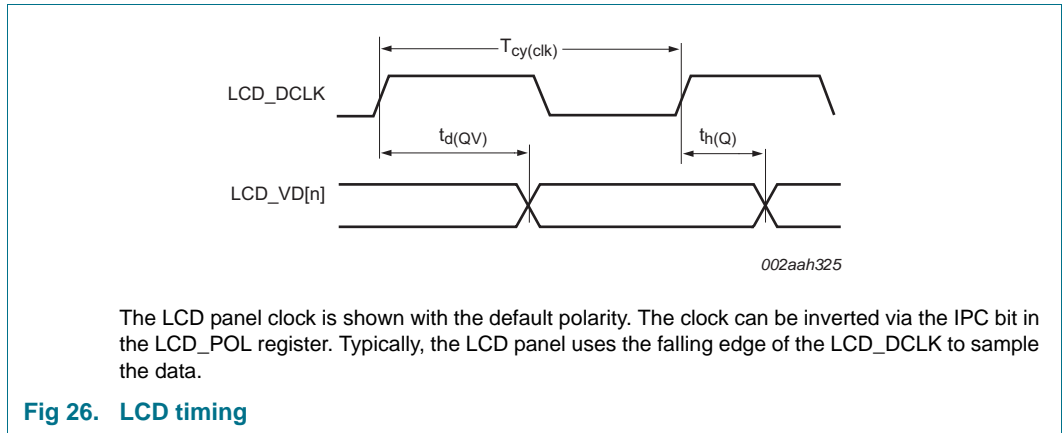
### 11.9 LCD

**Remark:** The LCD controller is available on parts LPC1788/87/86/85.

**Table 27. Dynamic characteristics: LCD**

$C_L = 10\text{ pF}$ ,  $T_{amb} = -40\text{ °C to }85\text{ °C}$ ,  $V_{DD(3V3)} = 3.0\text{ V to }3.6\text{ V}$ . Values guaranteed by design.

Symbol	Parameter	Conditions	Min	Max	Unit
$f_{clk}$	clock frequency	on pin LCD_DCLK	-	50	MHz
$t_{d(QV)}$	data output valid delay time		-	12	ns
$t_{h(Q)}$	data output hold time		-0.5	-	ns



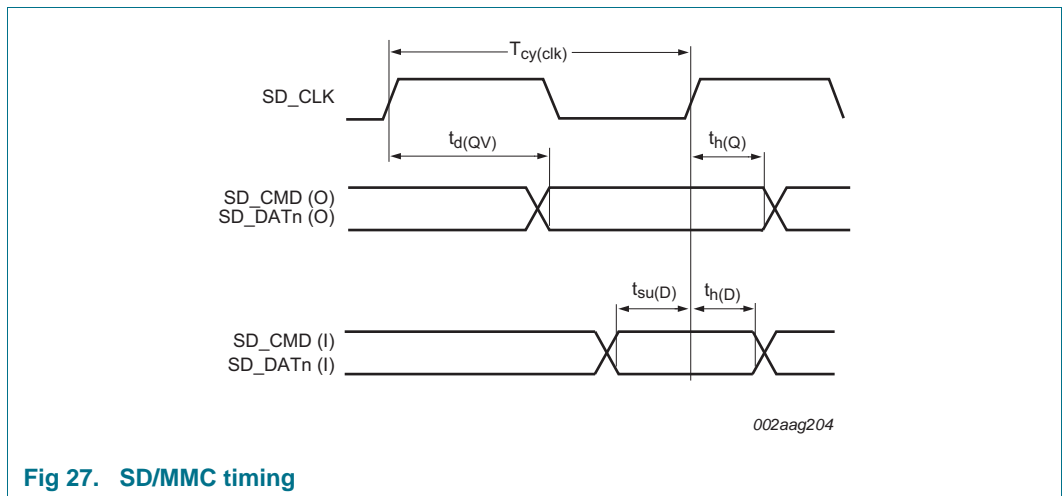
11.10 SD/MMC

**Remark:** The SD/MMC card interface is available on parts LPC1788/87/86 and parts LPC1778/77/76.

**Table 28. Dynamic characteristics: SD/MMC**

$C_L = 10\text{ pF}$ ,  $T_{amb} = -40\text{ }^\circ\text{C}$  to  $85\text{ }^\circ\text{C}$ ,  $V_{DD(3V3)} = 3.0\text{ V}$  to  $3.6\text{ V}$ . Values guaranteed by design.

Symbol	Parameter	Conditions	Min	Max	Unit
$f_{clk}$	clock frequency	on pin SD_CLK; data transfer mode	-	25	MHz
		on pin SD_CLK; identification mode		25	MHz
$t_{su(D)}$	data input set-up time	on pins SD_CMD, SD_DAT[3:0] as inputs	6	-	ns
$t_{h(D)}$	data input hold time	on pins SD_CMD, SD_DAT[3:0] as inputs	6	-	ns
$t_{d(QV)}$	data output valid delay time	on pins SD_CMD, SD_DAT[3:0] as outputs	-	23	ns
$t_{h(Q)}$	data output hold time	on pins SD_CMD, SD_DAT[3:0] as outputs	3.5	-	ns



## 12. ADC electrical characteristics

**Table 29. 12-bit ADC characteristics**

$V_{DDA} = 2.7\text{ V to }3.6\text{ V}$ ;  $T_{amb} = -40\text{ }^{\circ}\text{C to }+85\text{ }^{\circ}\text{C}$  unless otherwise specified.<sup>[1]</sup>

Symbol	Parameter	Conditions	Min	Typ	Max	Unit
$V_{IA}$	analog input voltage		0	-	$V_{DDA}$	V
<b>12-bit resolution</b>						
$E_D$	differential linearity error		[2][3][4]	-	$\pm 1$	LSB
$E_{L(adj)}$	integral non-linearity		[2][5]	-	$\pm 6$	LSB
$E_O$	offset error		[2][6]	-	$\pm 5$	LSB
$E_G$	gain error		[2][7]	-	$\pm 5$	LSB
$E_T$	absolute error		[2][8]	-	$< \pm 8$	LSB
$f_{clk(ADC)}$	ADC clock frequency		-	-	12.4	MHz
$f_{c(ADC)}$	ADC conversion frequency	single conversion mode	-	-	400	kSamples/s
		burst mode	-	-	375	kSamples/s
$C_{ia}$	analog input capacitance		-	-	5	pF
$R_{vsi}$	voltage source interface resistance		[9]	-	1	k $\Omega$
<b>8-bit resolution<sup>[10]</sup></b>						
$E_D$	differential linearity error		[2][3][4]	$\pm 1$	-	LSB
$E_{L(adj)}$	integral non-linearity		[2][5]	$\pm 1$	-	LSB
$E_O$	offset error		[2][6]	$\pm 1$	-	LSB
$E_G$	gain error		[2][7]	$\pm 1$	-	LSB
$E_T$	absolute error		[2][8]	-	$< \pm 1.5$	LSB
$f_{clk(ADC)}$	ADC clock frequency		-	-	36	MHz
$f_{c(ADC)}$	ADC conversion frequency		-	-	1.16	Msamples/s
$C_{ia}$	analog input capacitance		-	-	5	pF
$R_{vsi}$	voltage source interface resistance		[9]	-	1	k $\Omega$

[1]  $V_{DDA}$  and  $V_{REFP}$  should be tied to  $V_{DD(3V3)}$  if the ADC and DAC are not used.

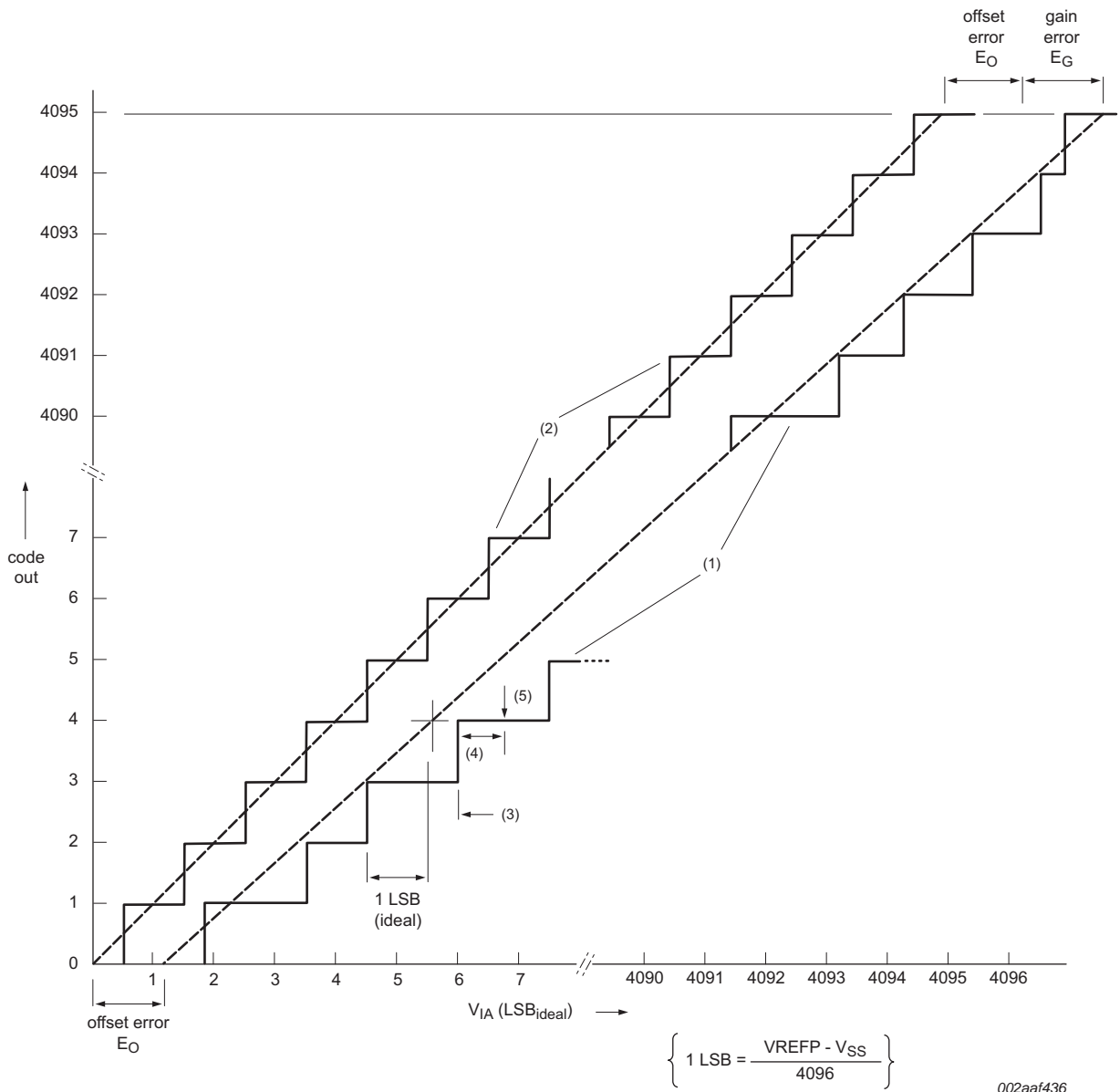
[2] Conditions:  $V_{SSA} = 0\text{ V}$ ,  $V_{DDA} = 3.3\text{ V}$ .

[3] The ADC is monotonic, there are no missing codes.

[4] The differential linearity error ( $E_D$ ) is the difference between the actual step width and the ideal step width. See [Figure 28](#).

[5] The integral non-linearity ( $E_{L(adj)}$ ) is the peak difference between the center of the steps of the actual and the ideal transfer curve after appropriate adjustment of gain and offset errors. See [Figure 28](#).

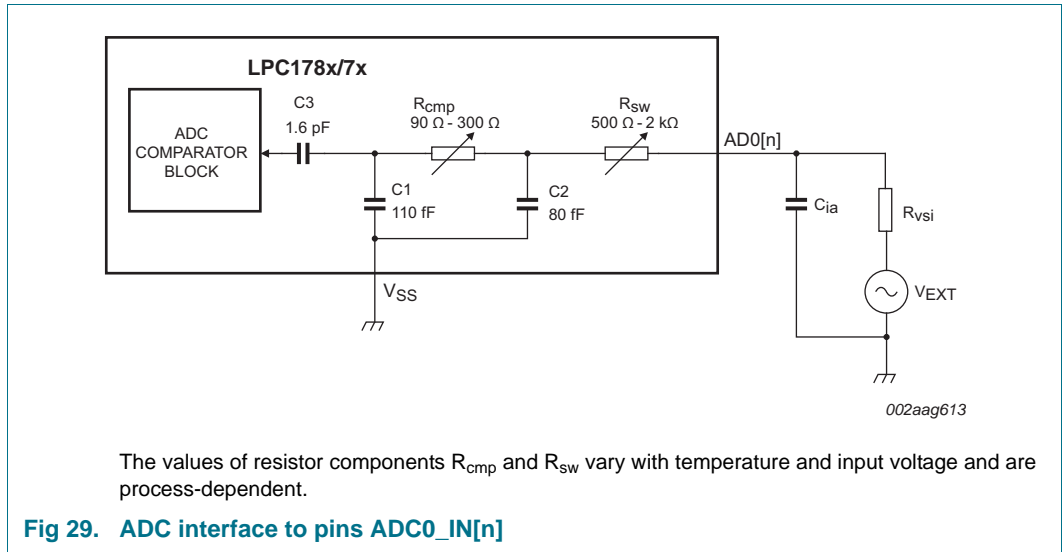
- [6] The offset error ( $E_O$ ) is the absolute difference between the straight line which fits the actual curve and the straight line which fits the ideal curve. See [Figure 28](#).
- [7] The gain error ( $E_G$ ) is the relative difference in percent between the straight line fitting the actual transfer curve after removing offset error, and the straight line which fits the ideal transfer curve. See [Figure 28](#).
- [8] The absolute error ( $E_T$ ) is the maximum difference between the center of the steps of the actual transfer curve of the non-calibrated ADC and the ideal transfer curve. See [Figure 28](#).
- [9] See [Figure 29](#).
- [10] 8-bit resolution is achieved by ignoring the lower four bits of the ADC conversion result.



- (1) Example of an actual transfer curve.
- (2) The ideal transfer curve.
- (3) Differential linearity error ( $E_D$ ).
- (4) Integral non-linearity ( $E_{L(adj)}$ ).
- (5) Center of a step of the actual transfer curve.

**Fig 28. 12-bit ADC characteristics**





**Table 30. ADC interface components**

Component	Range	Description
$R_{cmp}$	90 $\Omega$ to 300 $\Omega$	Switch-on resistance for the comparator input switch. Varies with temperature, input voltage, and process.
$R_{sw}$	500 $\Omega$ to 2 k $\Omega$	Switch-on resistance for channel selection switch. Varies with temperature, input voltage, and process.
C1	110 fF	Parasitic capacitance from the ADC block level.
C2	80 fF	Parasitic capacitance from the ADC block level.
C3	1.6 pF	Sampling capacitor.

### 13. DAC electrical characteristics

**Table 31. 10-bit DAC electrical characteristics**

$V_{DDA} = 2.7\text{ V to }3.6\text{ V}$ ;  $T_{amb} = -40\text{ }^{\circ}\text{C to }+85\text{ }^{\circ}\text{C}$  unless otherwise specified

Symbol	Parameter	Min	Typ	Max	Unit
$E_D$	differential linearity error	-	$\pm 1$	-	LSB
$E_{L(adj)}$	integral non-linearity	-	$\pm 1.5$	-	LSB
$E_O$	offset error	-	0.6	-	%
$E_G$	gain error	-	0.6	-	%
$C_L$	load capacitance	-	-	200	pF
$R_L$	load resistance	1	-	-	k $\Omega$

## 14. Application information

### 14.1 Suggested USB interface solutions

**Remark:** The USB controller is available as a device/Host/OTG controller on parts LPC1788/87/86/85 and LPC1778/77/76 and as device-only controller on parts LPC1774.

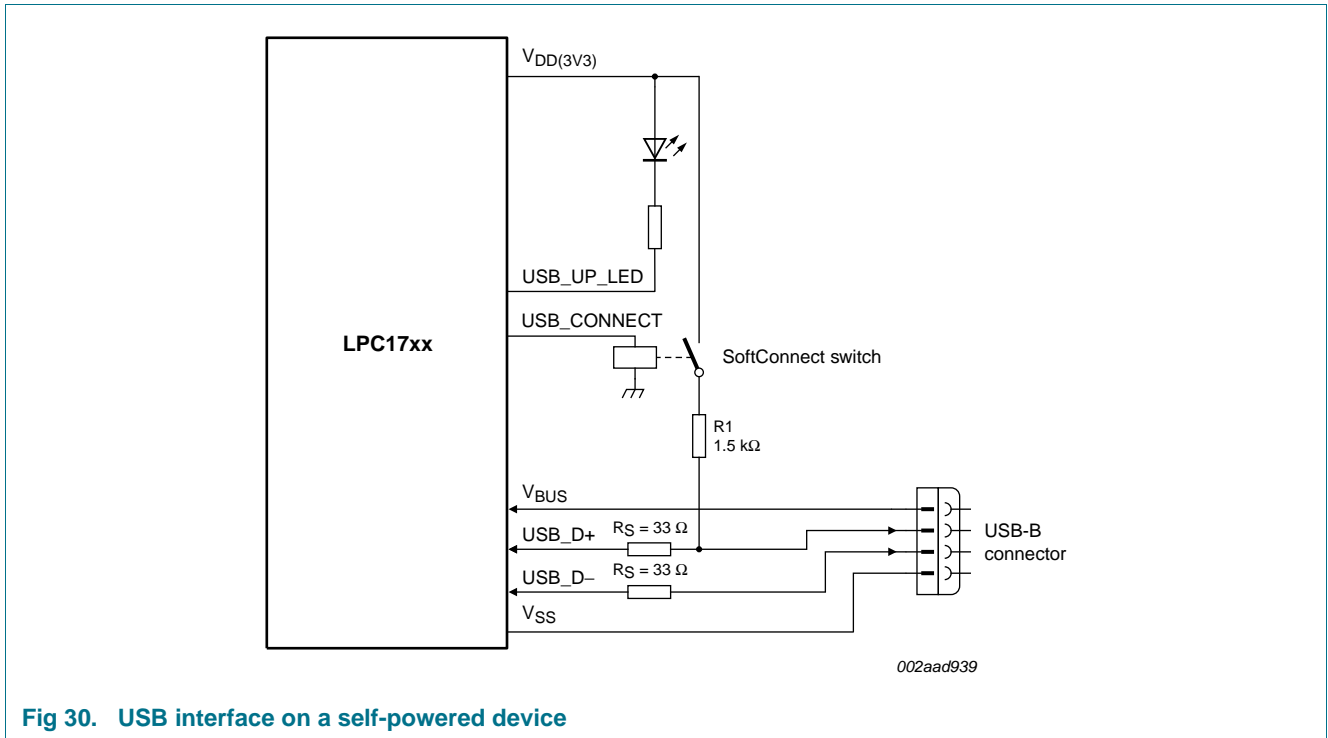


Fig 30. USB interface on a self-powered device

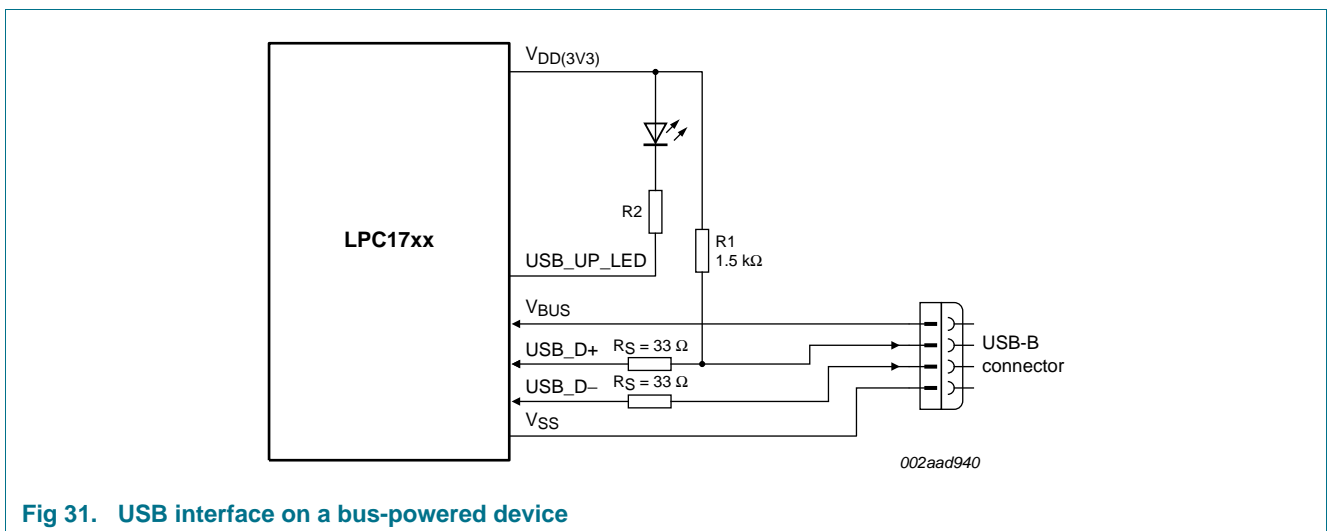


Fig 31. USB interface on a bus-powered device

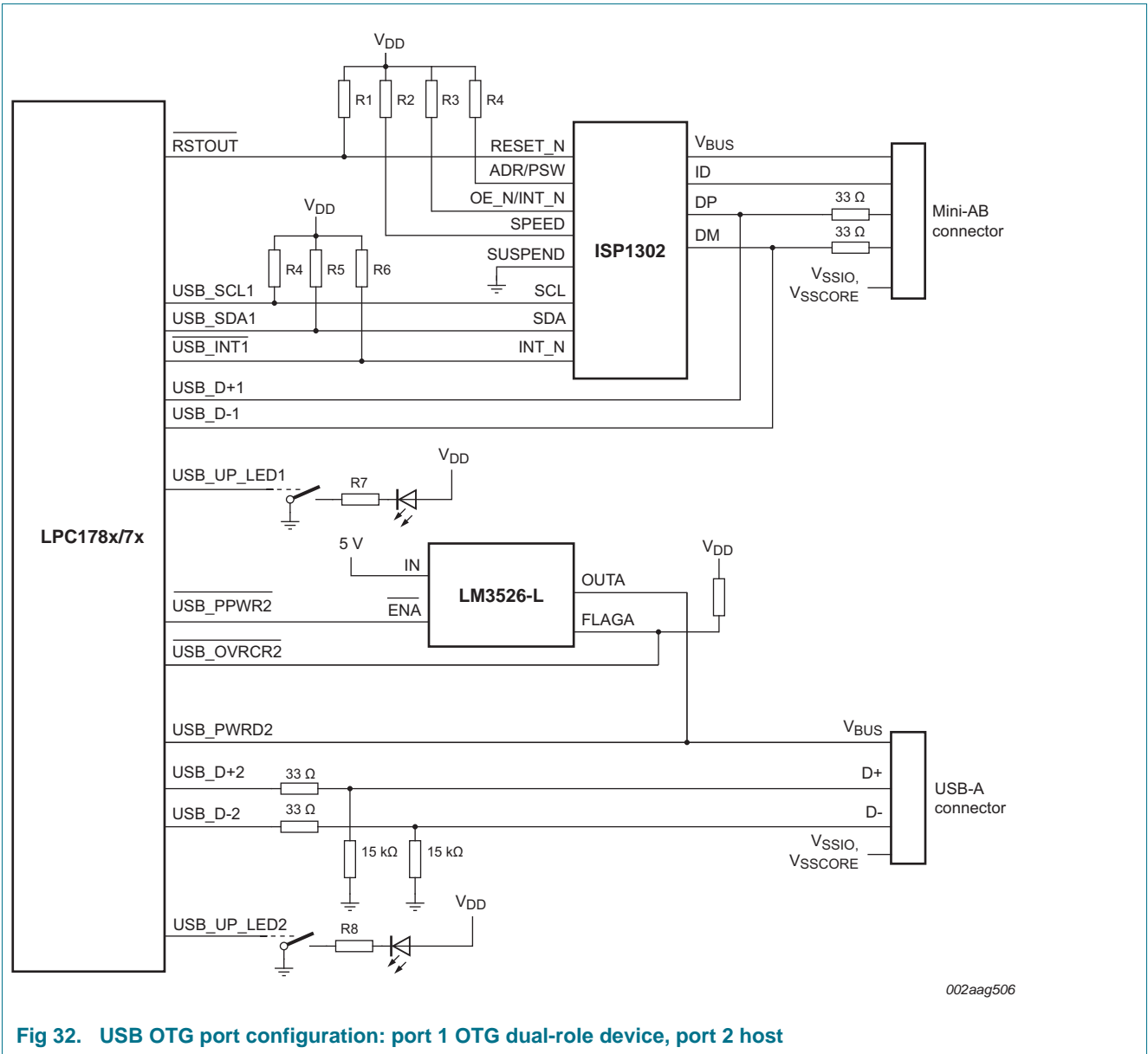
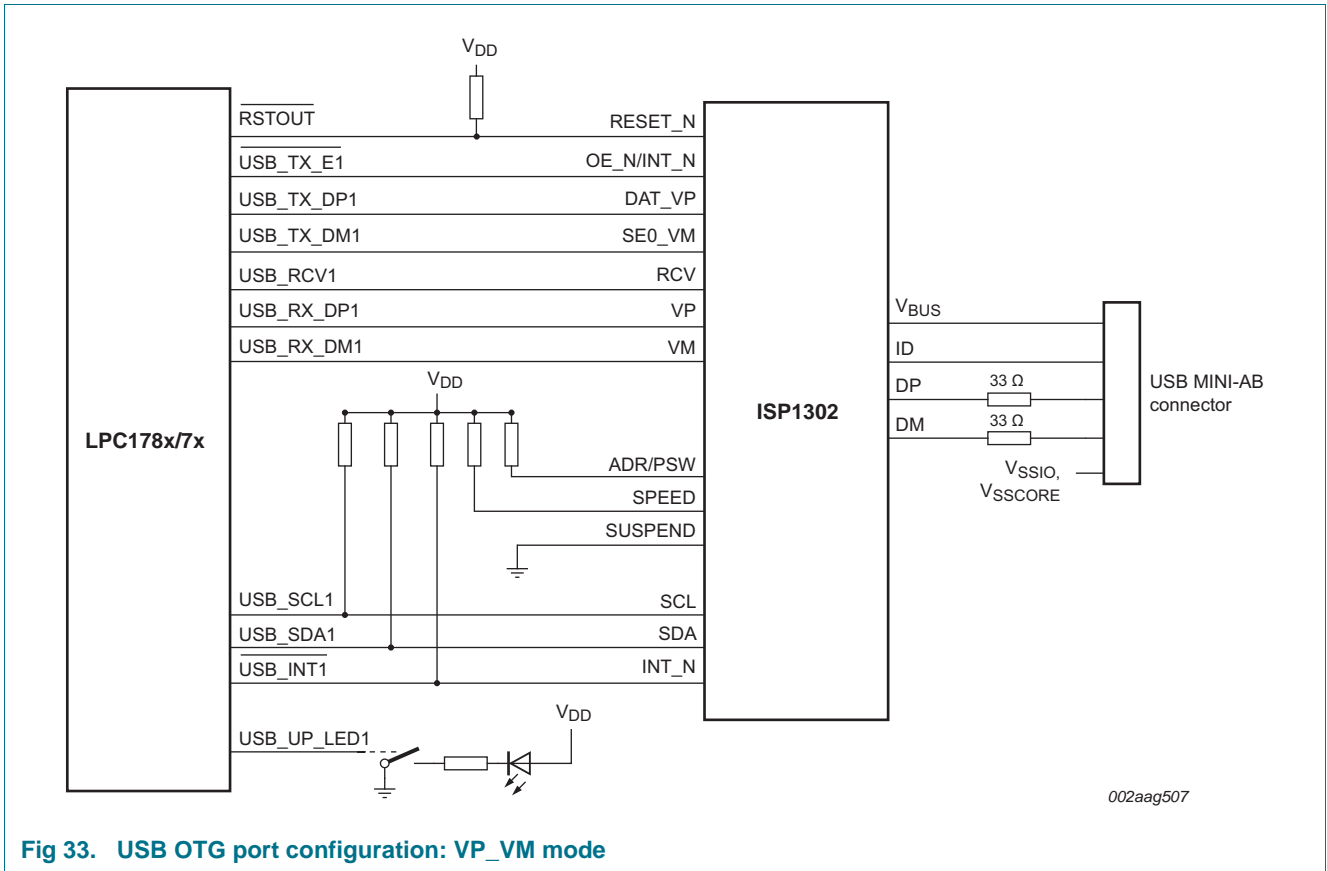


Fig 32. USB OTG port configuration: port 1 OTG dual-role device, port 2 host



002aag507

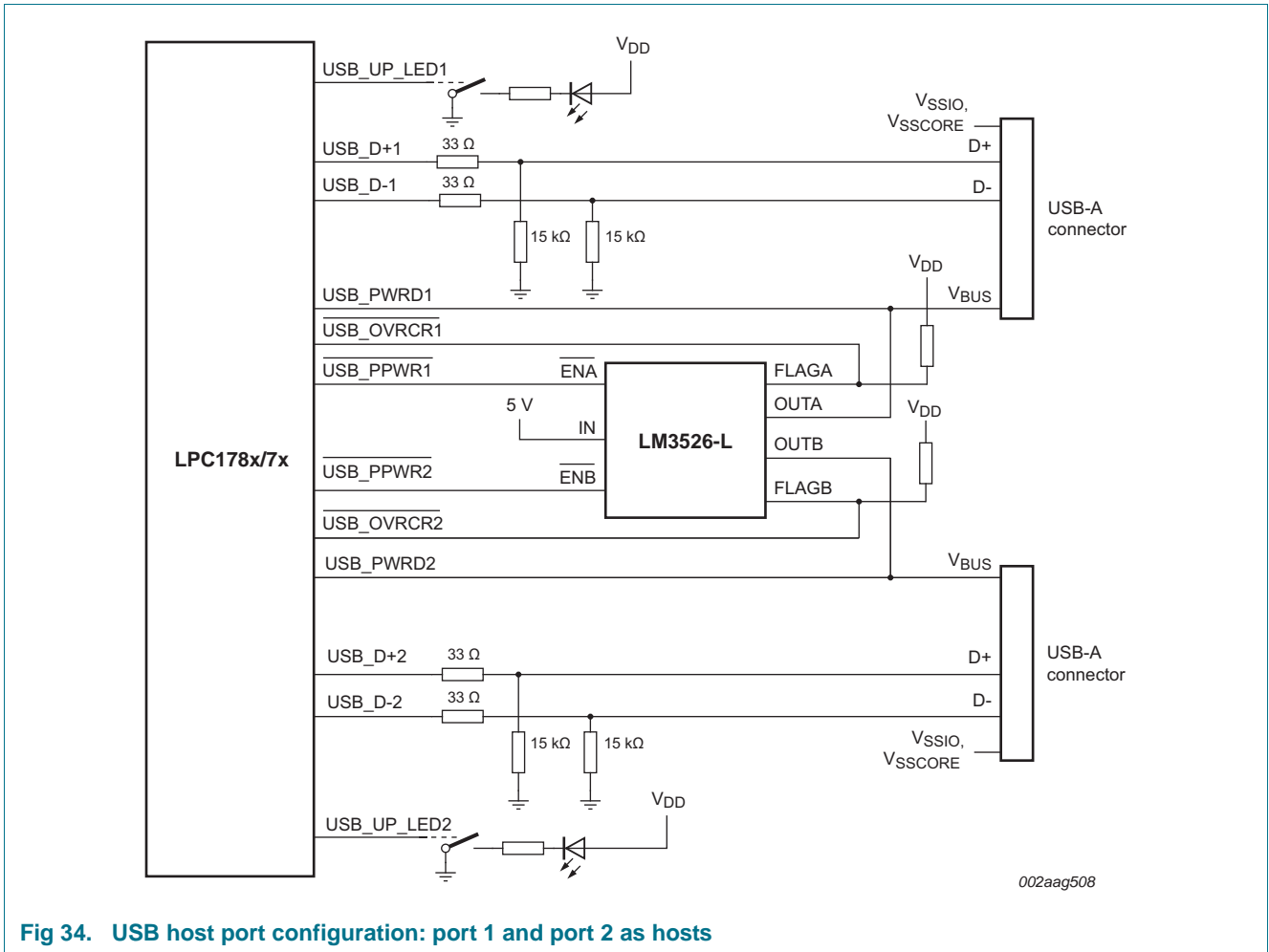


Fig 34. USB host port configuration: port 1 and port 2 as hosts

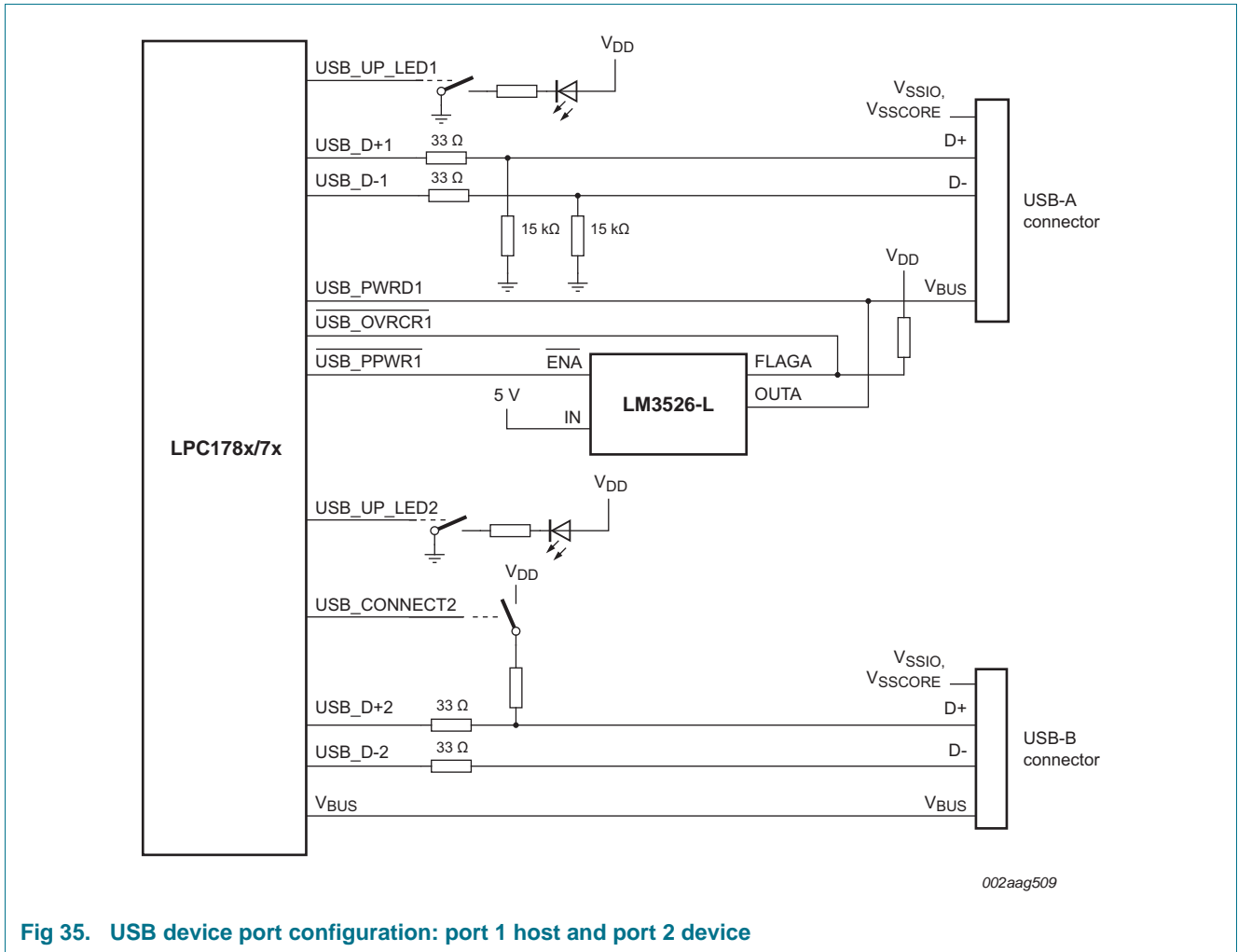


Fig 35. USB device port configuration: port 1 host and port 2 device

### 14.2 Crystal oscillator XTAL input and component selection

The input voltage to the on-chip oscillators is limited to 1.8 V. If the oscillator is driven by a clock in slave mode, it is recommended that the input be coupled through a capacitor with  $C_i = 100 \text{ pF}$ . To limit the input voltage to the specified range, choose an additional capacitor to ground  $C_g$  which attenuates the input voltage by a factor  $C_i / (C_i + C_g)$ . In slave mode, a minimum of 200 mV(RMS) is needed.

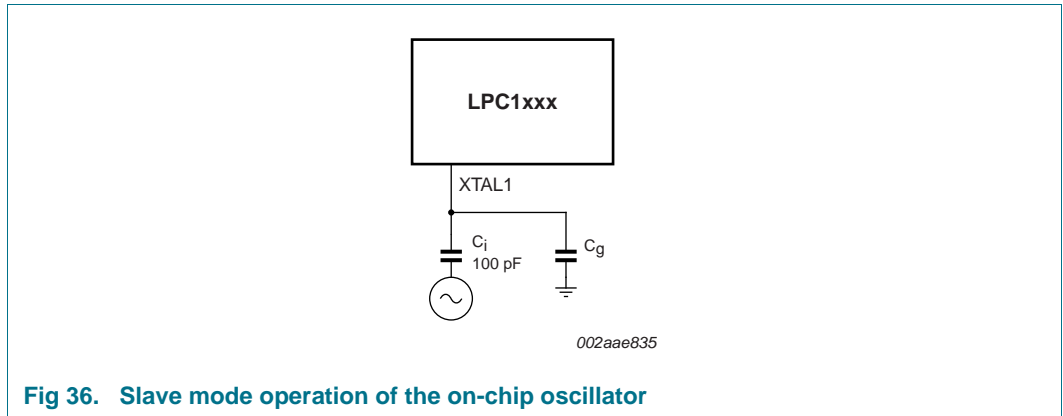


Fig 36. Slave mode operation of the on-chip oscillator

In slave mode the input clock signal should be coupled by means of a capacitor of 100 pF (Figure 36), with an amplitude between 200 mV(RMS) and 1000 mV(RMS). This corresponds to a square wave signal with a signal swing of between 280 mV and 1.4 V. The XTALOUT pin in this configuration can be left unconnected.

External components and models used in oscillation mode are shown in Figure 37 and in Table 32 and Table 33. Since the feedback resistance is integrated on chip, only a crystal and the capacitances  $C_{X1}$  and  $C_{X2}$  need to be connected externally in case of fundamental mode oscillation (the fundamental frequency is represented by  $L$ ,  $C_L$  and  $R_S$ ). Capacitance  $C_P$  in Figure 37 represents the parallel package capacitance and should not be larger than 7 pF. Parameters  $F_{OSC}$ ,  $C_L$ ,  $R_S$  and  $C_P$  are supplied by the crystal manufacturer.

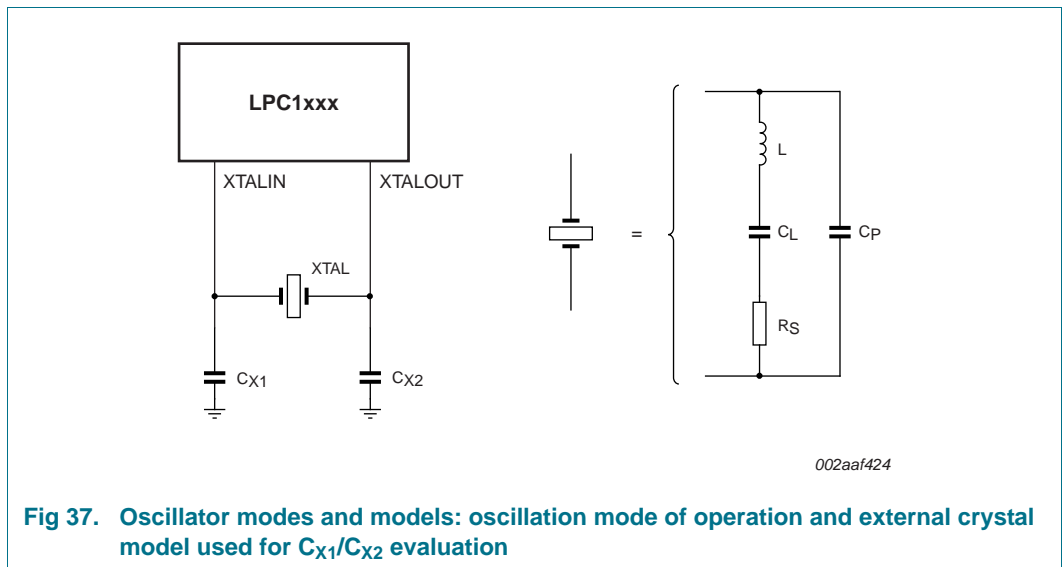


Fig 37. Oscillator modes and models: oscillation mode of operation and external crystal model used for  $C_{X1}/C_{X2}$  evaluation

Table 32. Recommended values for  $C_{X1}/C_{X2}$  in oscillation mode (crystal and external components parameters): low frequency mode

Fundamental oscillation frequency $F_{OSC}$	Crystal load capacitance $C_L$	Maximum crystal series resistance $R_S$	External load capacitors $C_{X1}/C_{X2}$
1 MHz to 5 MHz	10 pF	< 300 $\Omega$	18 pF, 18 pF
	20 pF	< 300 $\Omega$	39 pF, 39 pF
	30 pF	< 300 $\Omega$	57 pF, 57 pF

**Table 32. Recommended values for  $C_{X1}/C_{X2}$  in oscillation mode (crystal and external components parameters): low frequency mode**

Fundamental oscillation frequency $F_{Osc}$	Crystal load capacitance $C_L$	Maximum crystal series resistance $R_S$	External load capacitors $C_{X1}/C_{X2}$
5 MHz to 10 MHz	10 pF	< 300 $\Omega$	18 pF, 18 pF
	20 pF	< 200 $\Omega$	39 pF, 39 pF
	30 pF	< 100 $\Omega$	57 pF, 57 pF
10 MHz to 15 MHz	10 pF	< 160 $\Omega$	18 pF, 18 pF
	20 pF	< 60 $\Omega$	39 pF, 39 pF
15 MHz to 20 MHz	10 pF	< 80 $\Omega$	18 pF, 18 pF

**Table 33. Recommended values for  $C_{X1}/C_{X2}$  in oscillation mode (crystal and external components parameters): high frequency mode**

Fundamental oscillation frequency $F_{Osc}$	Crystal load capacitance $C_L$	Maximum crystal series resistance $R_S$	External load capacitors $C_{X1}, C_{X2}$
15 MHz to 20 MHz	10 pF	< 180 $\Omega$	18 pF, 18 pF
	20 pF	< 100 $\Omega$	39 pF, 39 pF
20 MHz to 25 MHz	10 pF	< 160 $\Omega$	18 pF, 18 pF
	20 pF	< 80 $\Omega$	39 pF, 39 pF

### 14.3 XTAL Printed-Circuit Board (PCB) layout guidelines

The crystal should be connected on the PCB as close as possible to the oscillator input and output pins of the chip. Take care that the load capacitors  $C_{X1}$ ,  $C_{X2}$ , and  $C_{X3}$  in case of third overtone crystal usage have a common ground plane. The external components must also be connected to the ground plane. Loops must be made as small as possible in order to keep the noise coupled in via the PCB as small as possible. Also parasitics should stay as small as possible. Smaller values of  $C_{X1}$  and  $C_{X2}$  should be chosen according to the increase in parasitics of the PCB layout.

### 14.4 Standard I/O pin configuration

[Figure 38](#) shows the possible pin modes for standard I/O pins with analog input function:

- Digital output driver: Open-drain mode enabled/disabled.
- Digital input: Pull-up enabled/disabled.
- Digital input: Pull-down enabled/disabled.
- Digital input: Repeater mode enabled/disabled.
- Analog input.

The default configuration for standard I/O pins is input with pull-up enabled. The weak MOS devices provide a drive capability equivalent to pull-up and pull-down resistors.



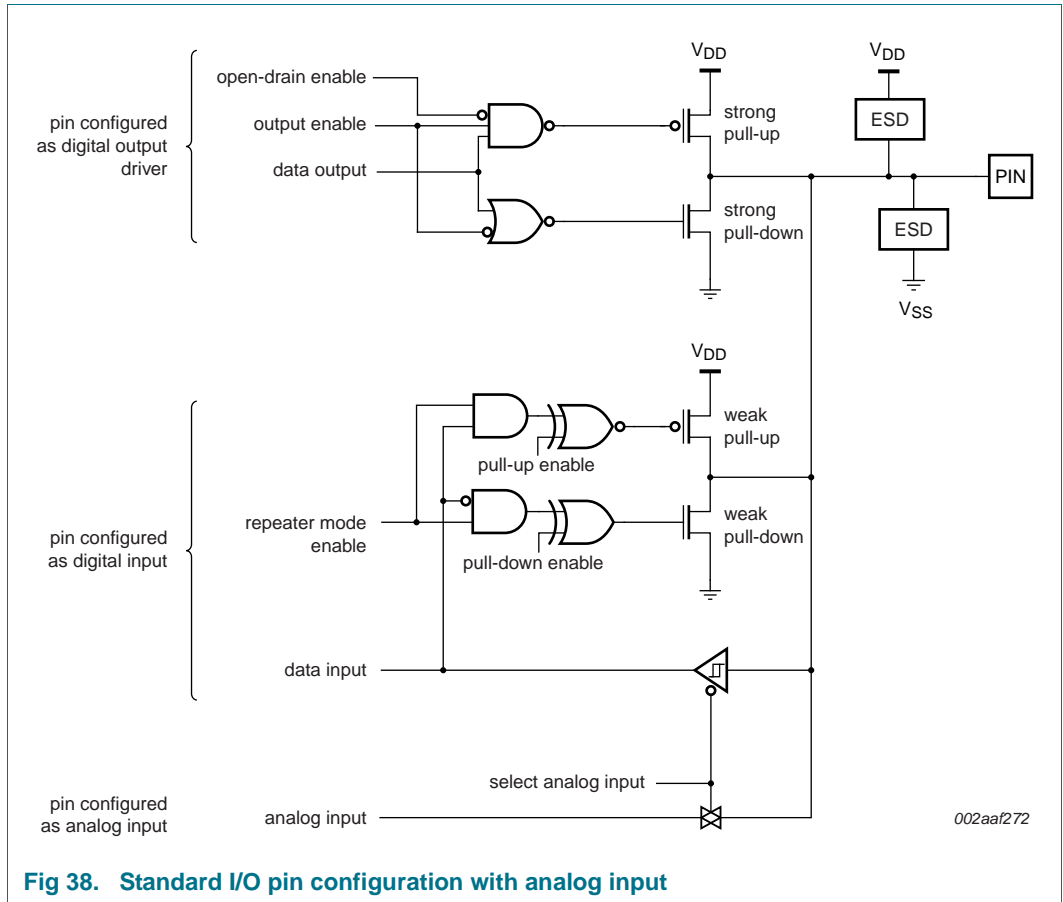


Fig 38. Standard I/O pin configuration with analog input

### 14.5 Reset pin configuration

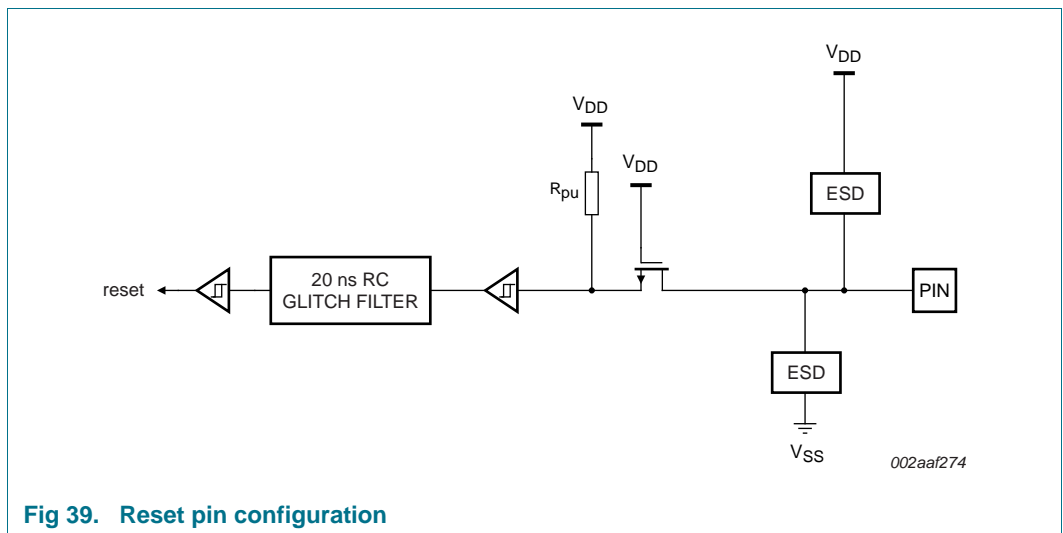


Fig 39. Reset pin configuration

### 14.6 Reset pin configuration for RTC operation

Under certain circumstances, the RTC may temporarily pause and lose fractions of a second during the rising and falling edges of the RESET signal.

To eliminate the loss of time counts in the RTC due to voltage swing or ramp rate of the  $\overline{\text{RESET}}$  signal, connect an RC filter between the  $\overline{\text{RESET}}$  pin and the external reset input.

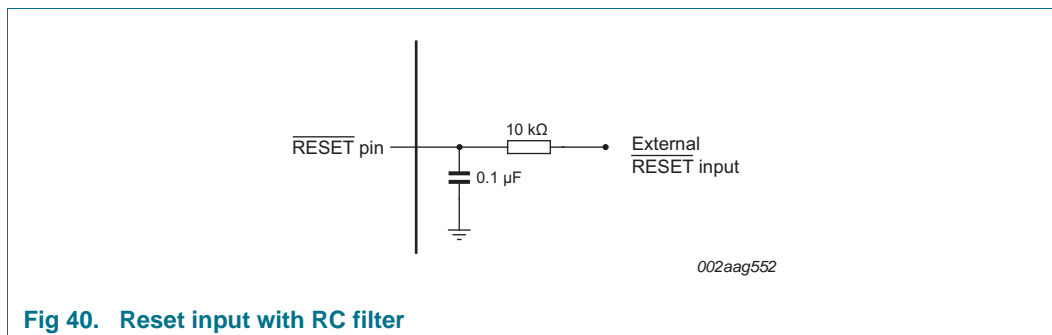


Fig 40. Reset input with RC filter

15. Package outline

LQFP208; plastic low profile quad flat package; 208 leads; body 28 x 28 x 1.4 mm

SOT459-1

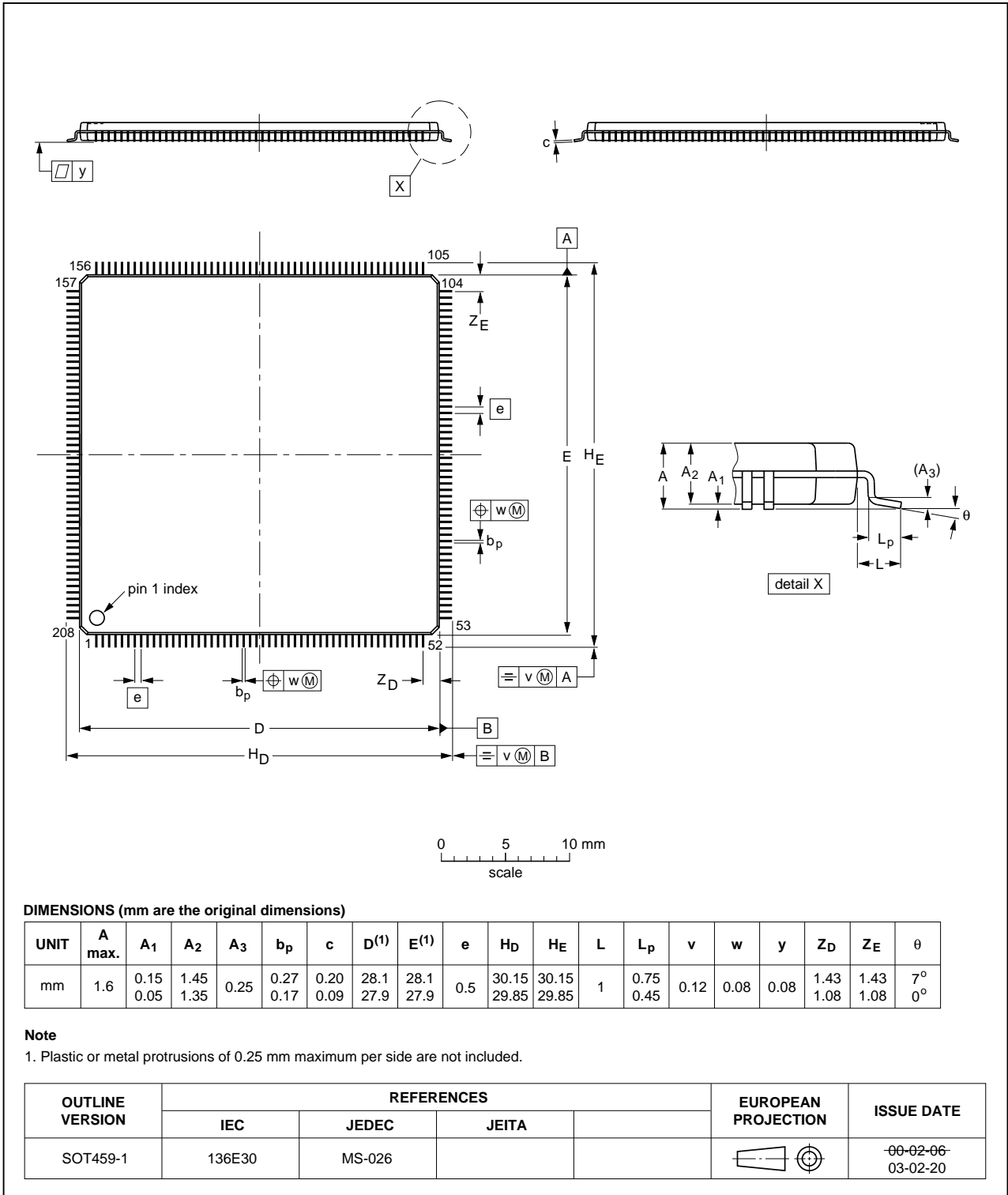


Fig 41. LQFP208 package

TFBGA208: plastic thin fine-pitch ball grid array package; 208 balls; body 15 x 15 x 0.7 mm

SOT950-1

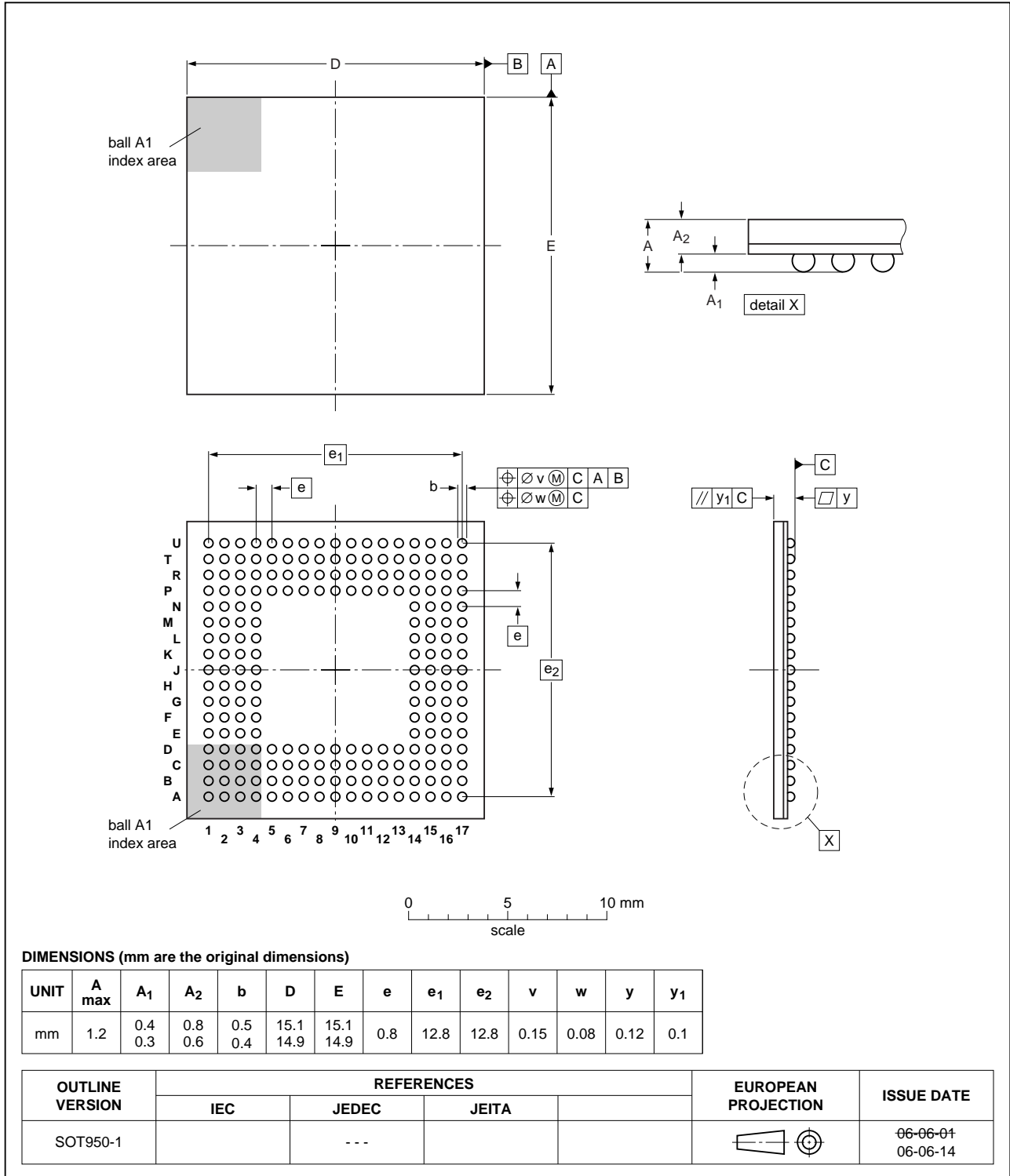


Fig 42. TFBGA208 package

TFBGA180: thin fine-pitch ball grid array package; 180 balls

SOT570-3

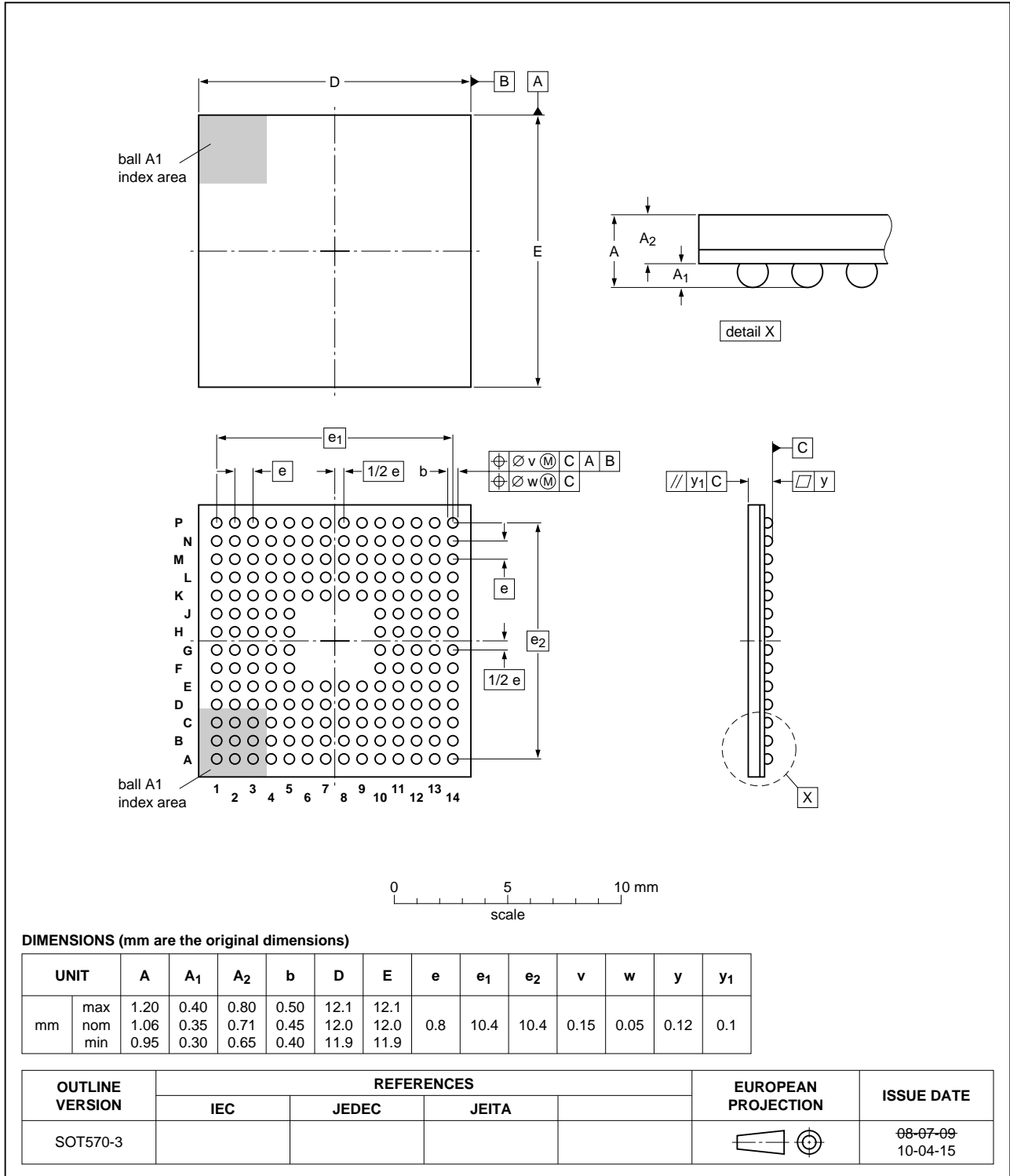


Fig 43. TFBGA180 package

LQFP144: plastic low profile quad flat package; 144 leads; body 20 x 20 x 1.4 mm

SOT486-1

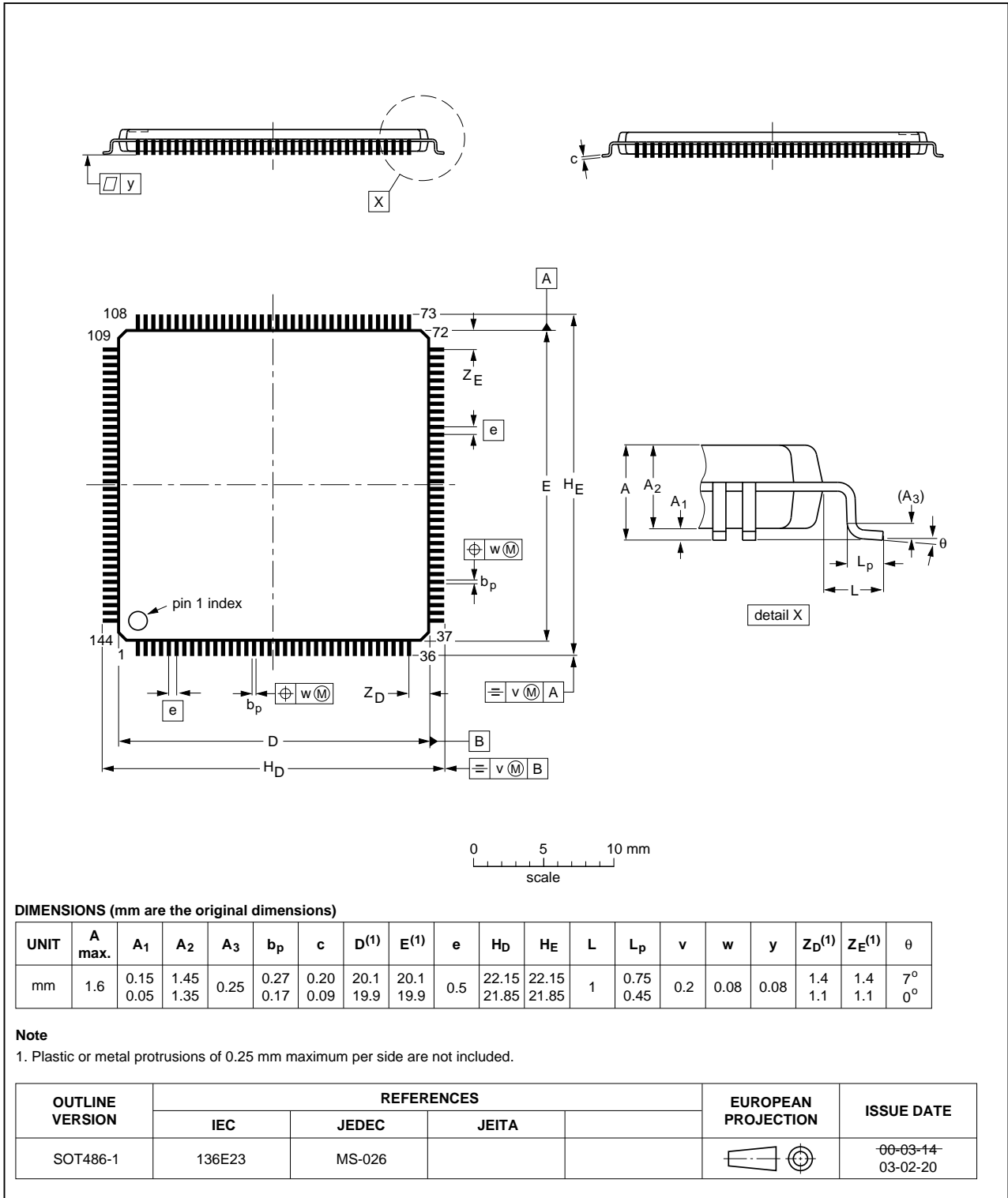


Fig 44. LQFP144 package

16. Soldering

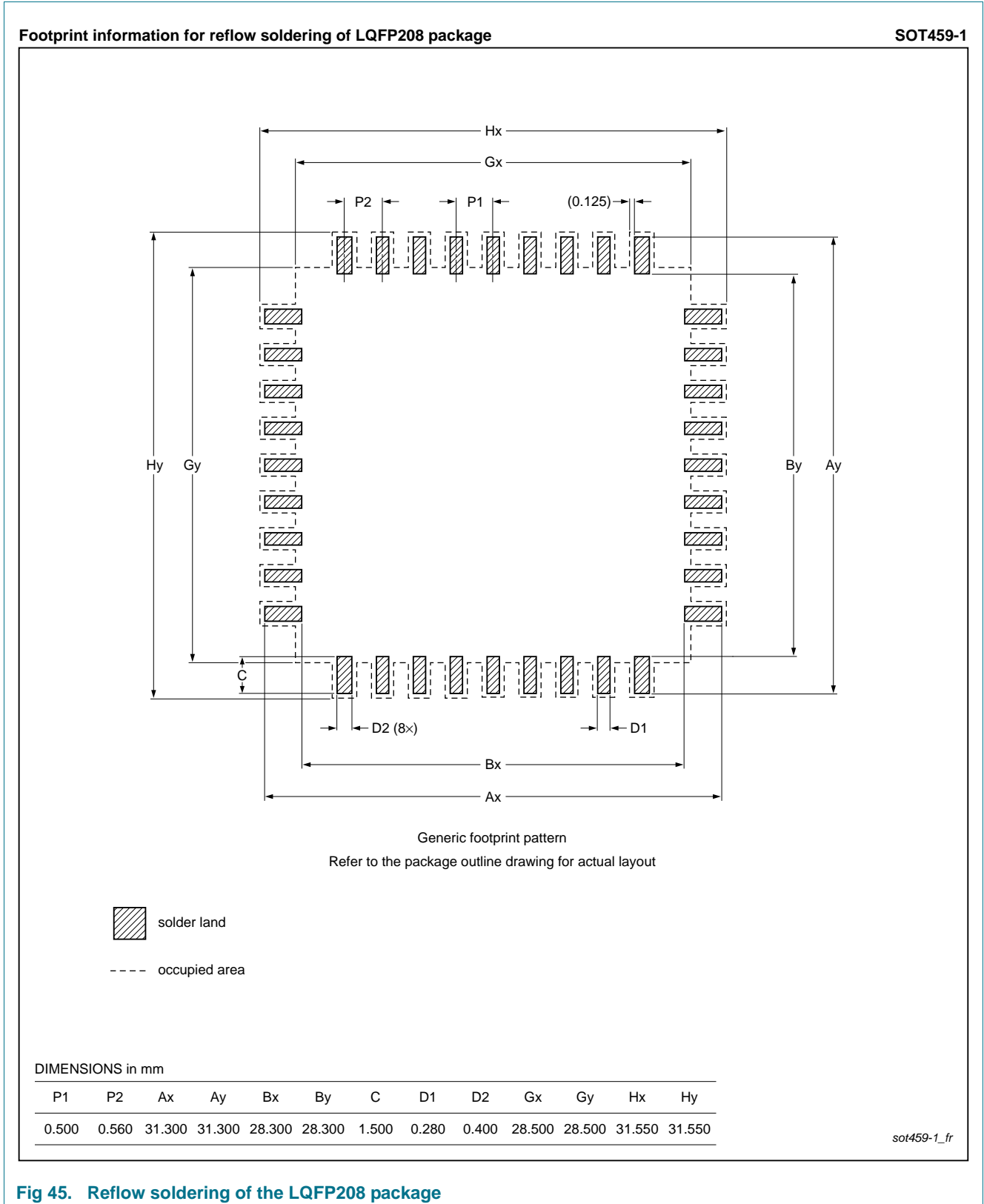
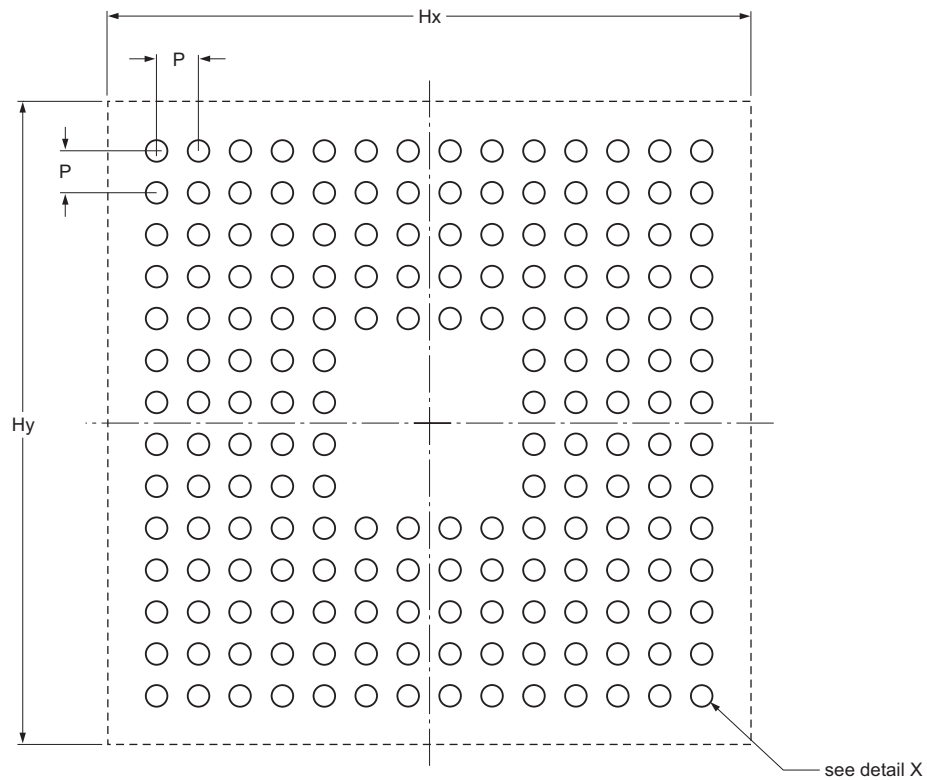


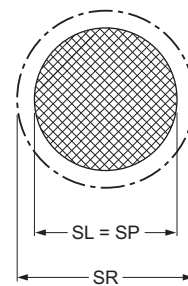
Fig 45. Reflow soldering of the LQFP208 package

Footprint information for reflow soldering of TFBGA180 package

SOT570-3



- solder land (SL)
- solder paste deposit (SP)
- solder land plus solder paste
- solder resist opening (SR)
- - - - - occupied area



detail X

Dimensions in mm

P	SL	SP	SR	Hx	Hy
0.80	0.40	0.40	0.50	12.30	12.30

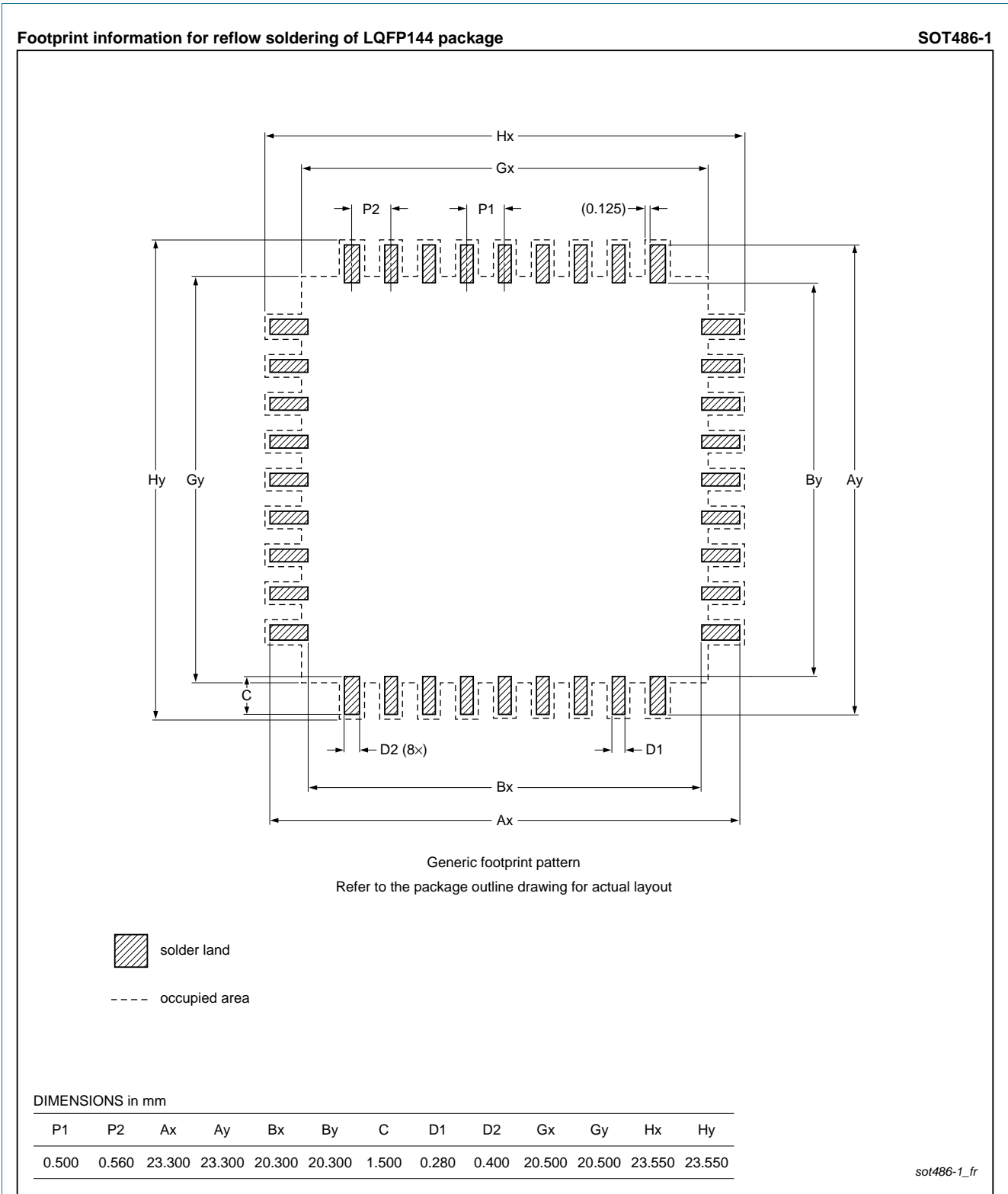
Recommend stencil thickness: 0.1 mm

Issue date 14-01-30  
15-08-27

sot570-3\_fr

Fig 46. Reflow soldering of the TFBGA180 package





**Fig 47. Reflow soldering of the LQFP144 package**

## 17. Abbreviations

**Table 34. Abbreviations**

Acronym	Description
ADC	Analog-to-Digital Converter
AHB	Advanced High-performance Bus
AMBA	Advanced Microcontroller Bus Architecture
APB	Advanced Peripheral Bus
BOD	BrownOut Detection
CAN	Controller Area Network
DAC	Digital-to-Analog Converter
DMA	Direct Memory Access
EOP	End Of Packet
ETM	Embedded Trace Macrocell
GPIO	General Purpose Input/Output
GPS	Global Positioning System
HVAC	Heating, Venting, and Air Conditioning
IRC	Internal RC
IrDA	Infrared Data Association
JTAG	Joint Test Action Group
MAC	Media Access Control
MIIM	Media Independent Interface Management
OHCI	Open Host Controller Interface
OTG	On-The-Go
PHY	Physical Layer
PLC	Programmable Logic Controller
PLL	Phase-Locked Loop
PWM	Pulse Width Modulator
RMII	Reduced Media Independent Interface
SE0	Single Ended Zero
SPI	Serial Peripheral Interface
SSI	Serial Synchronous Interface
SSP	Synchronous Serial Port
TCM	Tightly Coupled Memory
TTL	Transistor-Transistor Logic
UART	Universal Asynchronous Receiver/Transmitter
USB	Universal Serial Bus

## 18. References

---

- [1] LPC178x/7x User manual UM10470:  
[http://www.nxp.com/documents/user\\_manual/UM10470.pdf](http://www.nxp.com/documents/user_manual/UM10470.pdf)
- [2] LPC177x/8x Errata sheet:  
[http://www.nxp.com/documents/errata\\_sheet/ES\\_LPC177X\\_8X.pdf](http://www.nxp.com/documents/errata_sheet/ES_LPC177X_8X.pdf)
- [3] Technical note ADC design guidelines:  
[http://www.nxp.com/documents/technical\\_note/TN00009.pdf](http://www.nxp.com/documents/technical_note/TN00009.pdf)

## 19. Revision history

Table 35. Revision history

Document ID	Release date	Data sheet status	Change notice	Supersedes
LPC178X_7X v.5.3	20151016	Product data sheet	-	LPC178X_7X v.5.2
Modifications:	<ul style="list-style-type: none"> <li>Corrected max value of <math>t_{v(Q)}</math> (data output valid time) in SPI mode to <math>3 \cdot T_{cy(PCLK)} + 6.3</math> ns. Was: <math>3 \cdot T_{cy(PCLK)} + 2.5</math> ns. See <a href="#">Table 24 "Dynamic characteristics: SSP pins in SPI mode"</a>.</li> </ul>			
LPC178X_7X v.5.2	20150818	Product data sheet	-	LPC178X_7X v.5.1
Modifications:	<ul style="list-style-type: none"> <li>Updated max value of <math>t_{v(Q)}</math> (data output valid time) in SPI mode to <math>3 \cdot T_{cy(PCLK)} + 2.5</math> ns. See <a href="#">Table 24 "Dynamic characteristics: SSP pins in SPI mode"</a>.</li> <li>Added a column for GPIO pins and device order part number to the ordering options table. See <a href="#">Table 2 "LPC178x/7x ordering options"</a>.</li> </ul>			
LPC178X_7X v.5.1	20140501	Product data sheet	-	LPC178X_7X v.5
Modifications:	<ul style="list-style-type: none"> <li>Updated parameter <math>t_{su(D)}</math> in <a href="#">Table 18 "Dynamic characteristics: Dynamic external memory interface, read strategy bits (RD bits) = 00"</a>: Minimum value changed to <math>(FBCLKDLY + 1) \times 0.25 + 0.3</math>. Maximum value removed.</li> <li>Removed max value from parameter <math>t_{h(D)}</math> in <a href="#">Table 17</a>.</li> <li>Removed min value from parameter <math>t_{deact}</math> in <a href="#">Table 17</a>.</li> <li>Specified ADC conversion rate in burst mode in <a href="#">Table 29 "12-bit ADC characteristics"</a>.</li> </ul>			

Table 35. Revision history ...continued

Document ID	Release date	Data sheet status	Change notice	Supersedes
LPC178X_7X v.5	20140501	Product data sheet	-	LPC178X_7X v.4.1
Modifications:	<ul style="list-style-type: none"> <li>• Removed overbar from NMI.</li> <li>• Table 3:                             <ul style="list-style-type: none"> <li>– Added minimum reset pulse width of 50 ns to <math>\overline{\text{RESET}}</math> pin.</li> <li>– Updated Table note 14 for RTCX pins (32 kHz crystal must be used to operate RTC).</li> <li>– Added boundary scan information to description for <math>\overline{\text{RESET}}</math> pin.</li> <li>– Updated pin description of STCLK.</li> </ul> </li> <li>• Table 13: Added Table note 3 “VDDA and VREFP should be tied to VDD(3V3) if the ADC and DAC are not used.”.</li> <li>• Table 23: Removed reference to <math>\overline{\text{RESET}}</math> pin from Table note 1.</li> <li>• Table 24:                             <ul style="list-style-type: none"> <li>– Removed <math>T_{\text{cy(PCLK)}}</math> spec; already given by the maximum chip frequency.</li> <li>– Changed min clock cycle time for SSP slave from 120 to 100.</li> <li>– Updated Table note 1 and Table note 3.</li> </ul> </li> <li>• Table 29: Added Table note 1 “VDDA and VREFP should be tied to VDD(3V3) if the ADC and DAC are not used.”.</li> <li>• Section 7.21.1 “Features”: Changed max speed for SSP master from 60 to 33.</li> <li>• and added typical specs Table 17, Table 18, Table 19.</li> <li>• SOT570-2 obsolete; replaced with SOT570-3.</li> <li>• Table 17:                             <ul style="list-style-type: none"> <li>– Updated EMC timing specs to <math>CL = 30 \text{ pF}</math>.</li> <li>– Added typical specs.</li> <li>– Table note 3: Changed <math>T_{\text{cy(clk)}} = 1/\text{CCLK}</math> to <math>T_{\text{cy(clk)}} = 1/\text{EMC\_CLK}</math>.</li> </ul> </li> <li>• Table 18:                             <ul style="list-style-type: none"> <li>– Updated EMC timing specs to <math>CL = 30 \text{ pF}</math></li> <li>– Added typical specs.</li> <li>– Removed “All programmable delays EMCDLYCTL are bypassed” from table title.</li> </ul> </li> <li>• Table 19:                             <ul style="list-style-type: none"> <li>– Updated EMC timing specs to <math>CL = 30 \text{ pF}</math></li> <li>– Added typical specs.</li> <li>– Removed “All programmable delays EMCDLYCTL are bypassed” from table title.</li> </ul> </li> </ul>			

Table 35. Revision history ...continued

Document ID	Release date	Data sheet status	Change notice	Supersedes
LPC178X_7X v.4.1	20121115	Product data sheet	-	LPC178X_7X v.4
Modifications:	<ul style="list-style-type: none"> <li>• LCD timing characteristics updated in Table 27 “Dynamic characteristics: LCD” and Figure 26 added.</li> <li>• Removed table note “The peak current is limited to 25 times the corresponding maximum current.” in Table 9.</li> <li>• Removed deep power-down spec Table 13 and associated table note.</li> <li>• Updated min value for <math>t_{WEHEOW}</math> Table 15.</li> <li>• Removed Fig 21 Internal RC oscillator frequency versus temperature.</li> <li>• Updated 12-bit and 8-bit values for <math>E_T</math> Table 29.</li> <li>• Changed data sheet status to Product.</li> </ul>			
LPC178X_7X v.4	20120501	Preliminary data sheet	-	LPC178X_7X v.3
Modifications:	<ul style="list-style-type: none"> <li>• Editorial updates.</li> <li>• BOD values added in Section 7.34.2.</li> <li>• Parameters <math>t_{CSLBSL}</math>, <math>t_{CSHOEH}</math>, <math>t_{OEHANV}</math>, <math>t_{deact}</math>, <math>t_{BLSHEOW}</math>, <math>t_{BLSHDNV}</math> updated in Table 17.</li> <li>• <math>C_L = 10</math> pF added to Table 24, Table 26, Table 28.</li> <li>• <math>I_{DD(REG)(3V3)}</math> corrected in Table 13 for conditions Deep-sleep mode, Power-down mode, and Deep-power down mode.</li> <li>• <math>I_{BAT}</math> corrected in Table 13 for condition Deep power-down mode.</li> <li>• Power consumption data in Figure 9 and Figure 10 corrected.</li> <li>• I/O voltage <math>V_{DD(3V3)}</math> specified in Table 17, Table 18, Table 19, Table 24, Table 28.</li> <li>• <math>V_{DD(3V3)}</math> range corrected in Table 23.</li> <li>• Parameter <math>C_L</math> changed to 10 pF for EMC timing in Table 17 to Table 20.</li> <li>• USB and Ethernet dynamic characteristics removed. Timing characteristics follow <i>USB 2.0 Specification</i> (full speed) and IEEE standard 802.3 standards (see Section 7.15 and Section 7.14 for compliance statements).</li> <li>• Pad characteristics updated in Table 3.</li> <li>• Parameter <math>I_{BAT}</math> updated in Table 13.</li> <li>• Figure 11 added.</li> <li>• SDRAM timing corrected in Figure 19.</li> <li>• EEPROM erase and programming times added (Table 16).</li> <li>• Data sheet status changed to preliminary.</li> </ul>			

Table 35. Revision history ...continued

Document ID	Release date	Data sheet status	Change notice	Supersedes
LPC178X_7X v.3	20111220	Objective data sheet	-	LPC178X_7X v.2
Modifications:	<ul style="list-style-type: none"> <li>• Removed BOOT function from pin P3[14].</li> <li>• I<sub>BAT</sub> and I<sub>DD(REG)(3V3)</sub> updated for Deep power-down mode in Table 13.</li> <li>• Maximum SDRAM clock of 80 MHz specified in Section 2, Table 18, and Table 19.</li> <li>• Power consumption data added (Figure 9 and Figure 10).</li> <li>• Removed parameter Z<sub>DRV</sub> in Table 13.</li> <li>• Specified maximum value for parameter C<sub>L</sub> in Table 33 and remove typical value.</li> <li>• Specified setting of boost bits in Table 14, Table note 5 and in Table 13, Table note 6 .</li> <li>• USB connection diagrams updated (Figure 33 to Figure 36).</li> <li>• Current drain condition on battery supply specified in Section 7.33.6.</li> <li>• Table note 10 in Table 13 updated.</li> <li>• ADC characteristics updated (Table 31).</li> <li>• Section 14.6 "Reset pin configuration for RTC operation" added.</li> <li>• EEPROM size for parts LPC1774 corrected in Table 2 and Figure 1.</li> <li>• Changed function LCD_VD[5] on pin P0[10] to Reserved.</li> <li>• Changed function LCD_VD[10] on pin P0[11] to Reserved.</li> <li>• Changed function LCD_VD[13] on pin P0[19] to Reserved.</li> <li>• Changed function LCD_VD[14] on pin P0[20] to Reserved.</li> <li>• ADC interface model updated (see Table 32 and Figure 30).</li> </ul>			
LPC178X_7X v.2	20110527	Objective data sheet	-	LPC178X_7X v.1
Modifications:	<ul style="list-style-type: none"> <li>• Symbol names in Table 3 to Table 5 abbreviated.</li> <li>• Reserved functions added in Table 3.</li> <li>• Added function LCD_VD[5] to pin P0[10].</li> <li>• Added function LCD_VD[10] to pin P0[11].</li> <li>• Added function LCD_VD[13] to pin P0[19].</li> <li>• Added function LCD_VD[14] to pin P0[20].</li> <li>• Added function U4_SCLK to pin P0[21].</li> <li>• Added function</li> <li>• Added function MOSI to pin P5[0].</li> <li>• Added function SSP2_MISO to pin P5[1].</li> <li>• Added EMC dynamic characteristics.</li> </ul>			
LPC178X_7X v.1	20110524	Objective data sheet	-	-

## 20. Legal information

### 20.1 Data sheet status

Document status <sup>[1][2]</sup>	Product status <sup>[3]</sup>	Definition
Objective [short] data sheet	Development	This document contains data from the objective specification for product development.
Preliminary [short] data sheet	Qualification	This document contains data from the preliminary specification.
Product [short] data sheet	Production	This document contains the product specification.

[1] Please consult the most recently issued document before initiating or completing a design.

[2] The term 'short data sheet' is explained in section "Definitions".

[3] The product status of device(s) described in this document may have changed since this document was published and may differ in case of multiple devices. The latest product status information is available on the Internet at URL <http://www.nxp.com>.

### 20.2 Definitions

**Draft** — The document is a draft version only. The content is still under internal review and subject to formal approval, which may result in modifications or additions. NXP Semiconductors does not give any representations or warranties as to the accuracy or completeness of information included herein and shall have no liability for the consequences of use of such information.

**Short data sheet** — A short data sheet is an extract from a full data sheet with the same product type number(s) and title. A short data sheet is intended for quick reference only and should not be relied upon to contain detailed and full information. For detailed and full information see the relevant full data sheet, which is available on request via the local NXP Semiconductors sales office. In case of any inconsistency or conflict with the short data sheet, the full data sheet shall prevail.

**Product specification** — The information and data provided in a Product data sheet shall define the specification of the product as agreed between NXP Semiconductors and its customer, unless NXP Semiconductors and customer have explicitly agreed otherwise in writing. In no event however, shall an agreement be valid in which the NXP Semiconductors product is deemed to offer functions and qualities beyond those described in the Product data sheet.

### 20.3 Disclaimers

**Limited warranty and liability** — Information in this document is believed to be accurate and reliable. However, NXP Semiconductors does not give any representations or warranties, expressed or implied, as to the accuracy or completeness of such information and shall have no liability for the consequences of use of such information. NXP Semiconductors takes no responsibility for the content in this document if provided by an information source outside of NXP Semiconductors.

In no event shall NXP Semiconductors be liable for any indirect, incidental, punitive, special or consequential damages (including - without limitation - lost profits, lost savings, business interruption, costs related to the removal or replacement of any products or rework charges) whether or not such damages are based on tort (including negligence), warranty, breach of contract or any other legal theory.

Notwithstanding any damages that customer might incur for any reason whatsoever, NXP Semiconductors' aggregate and cumulative liability towards customer for the products described herein shall be limited in accordance with the *Terms and conditions of commercial sale* of NXP Semiconductors.

**Right to make changes** — NXP Semiconductors reserves the right to make changes to information published in this document, including without limitation specifications and product descriptions, at any time and without notice. This document supersedes and replaces all information supplied prior to the publication hereof.

**Suitability for use** — NXP Semiconductors products are not designed, authorized or warranted to be suitable for use in life support, life-critical or safety-critical systems or equipment, nor in applications where failure or malfunction of an NXP Semiconductors product can reasonably be expected to result in personal injury, death or severe property or environmental damage. NXP Semiconductors and its suppliers accept no liability for inclusion and/or use of NXP Semiconductors products in such equipment or applications and therefore such inclusion and/or use is at the customer's own risk.

**Applications** — Applications that are described herein for any of these products are for illustrative purposes only. NXP Semiconductors makes no representation or warranty that such applications will be suitable for the specified use without further testing or modification.

Customers are responsible for the design and operation of their applications and products using NXP Semiconductors products, and NXP Semiconductors accepts no liability for any assistance with applications or customer product design. It is customer's sole responsibility to determine whether the NXP Semiconductors product is suitable and fit for the customer's applications and products planned, as well as for the planned application and use of customer's third party customer(s). Customers should provide appropriate design and operating safeguards to minimize the risks associated with their applications and products.

NXP Semiconductors does not accept any liability related to any default, damage, costs or problem which is based on any weakness or default in the customer's applications or products, or the application or use by customer's third party customer(s). Customer is responsible for doing all necessary testing for the customer's applications and products using NXP Semiconductors products in order to avoid a default of the applications and the products or of the application or use by customer's third party customer(s). NXP does not accept any liability in this respect.

**Limiting values** — Stress above one or more limiting values (as defined in the Absolute Maximum Ratings System of IEC 60134) will cause permanent damage to the device. Limiting values are stress ratings only and (proper) operation of the device at these or any other conditions above those given in the Recommended operating conditions section (if present) or the Characteristics sections of this document is not warranted. Constant or repeated exposure to limiting values will permanently and irreversibly affect the quality and reliability of the device.

**Terms and conditions of commercial sale** — NXP Semiconductors products are sold subject to the general terms and conditions of commercial sale, as published at <http://www.nxp.com/profile/terms>, unless otherwise agreed in a valid written individual agreement. In case an individual agreement is concluded only the terms and conditions of the respective agreement shall apply. NXP Semiconductors hereby expressly objects to applying the customer's general terms and conditions with regard to the purchase of NXP Semiconductors products by customer.

**No offer to sell or license** — Nothing in this document may be interpreted or construed as an offer to sell products that is open for acceptance or the grant, conveyance or implication of any license under any copyrights, patents or other industrial or intellectual property rights.



**Export control** — This document as well as the item(s) described herein may be subject to export control regulations. Export might require a prior authorization from competent authorities.

**Non-automotive qualified products** — Unless this data sheet expressly states that this specific NXP Semiconductors product is automotive qualified, the product is not suitable for automotive use. It is neither qualified nor tested in accordance with automotive testing or application requirements. NXP Semiconductors accepts no liability for inclusion and/or use of non-automotive qualified products in automotive equipment or applications.

In the event that customer uses the product for design-in and use in automotive applications to automotive specifications and standards, customer (a) shall use the product without NXP Semiconductors' warranty of the product for such automotive applications, use and specifications, and (b)

whenever customer uses the product for automotive applications beyond NXP Semiconductors' specifications such use shall be solely at customer's own risk, and (c) customer fully indemnifies NXP Semiconductors for any liability, damages or failed product claims resulting from customer design and use of the product for automotive applications beyond NXP Semiconductors' standard warranty and NXP Semiconductors' product specifications.

## 20.4 Trademarks

Notice: All referenced brands, product names, service names and trademarks are the property of their respective owners.

**I<sup>2</sup>C-bus** — logo is a trademark of NXP Semiconductors N.V.

## 21. Contact information

For more information, please visit: <http://www.nxp.com>

For sales office addresses, please send an email to: [salesaddresses@nxp.com](mailto:salesaddresses@nxp.com)

## 22. Contents

<b>1</b>	<b>General description</b> . . . . .	<b>1</b>	7.21	SSP serial I/O controller	53
<b>2</b>	<b>Features and benefits</b> . . . . .	<b>1</b>	7.21.1	Features	54
<b>3</b>	<b>Applications</b> . . . . .	<b>4</b>	7.22	I <sup>2</sup> C-bus serial I/O controllers	54
<b>4</b>	<b>Ordering information</b> . . . . .	<b>5</b>	7.22.1	Features	54
<b>5</b>	<b>Block diagram</b> . . . . .	<b>7</b>	7.23	I <sup>2</sup> S-bus serial I/O controllers	55
<b>6</b>	<b>Pinning information</b> . . . . .	<b>8</b>	7.23.1	Features	55
6.1	Pinning . . . . .	8	7.24	CAN controller and acceptance filters	55
6.2	Pin description . . . . .	9	7.24.1	Features	55
<b>7</b>	<b>Functional description</b> . . . . .	<b>40</b>	7.25	General purpose 32-bit timers/external event counters	56
7.1	Architectural overview . . . . .	40	7.25.1	Features	56
7.2	ARM Cortex-M3 processor . . . . .	41	7.26	Pulse Width Modulator (PWM)	56
7.3	On-chip flash program memory . . . . .	41	7.26.1	Features	57
7.4	EEPROM . . . . .	41	7.27	Motor control PWM	57
7.5	On-chip SRAM . . . . .	41	7.28	Quadrature Encoder Interface (QEI)	58
7.6	Memory Protection Unit (MPU) . . . . .	41	7.28.1	Features	58
7.7	Memory map . . . . .	42	7.29	ARM Cortex-M3 system tick timer	58
7.8	Nested Vectored Interrupt Controller (NVIC) . . . . .	44	7.30	Windowed WatchDog Timer (WWDT)	59
7.8.1	Features . . . . .	44	7.30.1	Features	59
7.8.2	Interrupt sources . . . . .	44	7.31	RTC and backup registers	59
7.9	Pin connect block . . . . .	44	7.31.1	Features	59
7.10	External memory controller . . . . .	44	7.32	Event monitor/recorder	60
7.10.1	Features . . . . .	46	7.32.1	Features	60
7.11	General purpose DMA controller . . . . .	46	7.33	Clocking and power control	60
7.11.1	Features . . . . .	47	7.33.1	Crystal oscillators	60
7.12	CRC engine . . . . .	47	7.33.1.1	Internal RC oscillator	61
7.12.1	Features . . . . .	47	7.33.1.2	Main oscillator	61
7.13	LCD controller . . . . .	48	7.33.1.3	RTC oscillator	62
7.13.1	Features . . . . .	48	7.33.1.4	Watchdog oscillator	62
7.14	Ethernet . . . . .	49	7.33.2	Main PLL (PLL0) and Alternate PLL (PLL1)	62
7.14.1	Features . . . . .	49	7.33.3	Wake-up timer	63
7.15	USB interface . . . . .	50	7.33.4	Power control	63
7.15.1	USB device controller . . . . .	50	7.33.4.1	Sleep mode	63
7.15.1.1	Features . . . . .	50	7.33.4.2	Deep-sleep mode	64
7.15.2	USB host controller . . . . .	50	7.33.4.3	Power-down mode	64
7.15.2.1	Features . . . . .	50	7.33.4.4	Deep power-down mode	65
7.15.3	USB OTG controller . . . . .	51	7.33.4.5	Wake-up Interrupt Controller (WIC)	65
7.15.3.1	Features . . . . .	51	7.33.5	Peripheral power control	65
7.16	SD/MMC card interface . . . . .	51	7.33.6	Power domains	65
7.16.1	Features . . . . .	51	7.34	System control	67
7.17	Fast general purpose parallel I/O . . . . .	51	7.34.1	Reset	67
7.17.1	Features . . . . .	52	7.34.2	Brownout detection	67
7.18	12-bit ADC . . . . .	52	7.34.3	Code security (Code Read Protection - CRP)	67
7.18.1	Features . . . . .	52	7.34.4	APB interface	68
7.19	10-bit DAC . . . . .	52	7.34.5	AHB multilayer matrix	68
7.19.1	Features . . . . .	53	7.34.6	External interrupt inputs	68
7.20	UARTs . . . . .	53	7.34.7	Memory mapping control	68
7.20.1	Features . . . . .	53	7.35	Debug control	68

continued >>

<b>8</b>	<b>Limiting values</b> . . . . .	<b>69</b>
<b>9</b>	<b>Thermal characteristics</b> . . . . .	<b>70</b>
<b>10</b>	<b>Static characteristics</b> . . . . .	<b>71</b>
10.1	Power consumption . . . . .	74
10.2	Peripheral power consumption . . . . .	76
10.3	Electrical pin characteristics . . . . .	78
<b>11</b>	<b>Dynamic characteristics</b> . . . . .	<b>80</b>
11.1	Flash memory . . . . .	80
11.2	External memory interface . . . . .	81
11.3	External clock . . . . .	87
11.4	Internal oscillators . . . . .	87
11.5	I/O pins . . . . .	87
11.6	SSP interface . . . . .	88
11.7	I <sup>2</sup> C-bus . . . . .	90
11.8	I <sup>2</sup> S-bus interface . . . . .	91
11.9	LCD . . . . .	92
11.10	SD/MMC . . . . .	93
<b>12</b>	<b>ADC electrical characteristics</b> . . . . .	<b>94</b>
<b>13</b>	<b>DAC electrical characteristics</b> . . . . .	<b>97</b>
<b>14</b>	<b>Application information</b> . . . . .	<b>98</b>
14.1	Suggested USB interface solutions . . . . .	98
14.2	Crystal oscillator XTAL input and component selection . . . . .	102
14.3	XTAL Printed-Circuit Board (PCB) layout guidelines . . . . .	104
14.4	Standard I/O pin configuration . . . . .	104
14.5	Reset pin configuration . . . . .	105
14.6	Reset pin configuration for RTC operation . . . . .	105
<b>15</b>	<b>Package outline</b> . . . . .	<b>107</b>
<b>16</b>	<b>Soldering</b> . . . . .	<b>111</b>
<b>17</b>	<b>Abbreviations</b> . . . . .	<b>114</b>
<b>18</b>	<b>References</b> . . . . .	<b>115</b>
<b>19</b>	<b>Revision history</b> . . . . .	<b>116</b>
<b>20</b>	<b>Legal information</b> . . . . .	<b>120</b>
20.1	Data sheet status . . . . .	120
20.2	Definitions . . . . .	120
20.3	Disclaimers . . . . .	120
20.4	Trademarks . . . . .	121
<b>21</b>	<b>Contact information</b> . . . . .	<b>121</b>
<b>22</b>	<b>Contents</b> . . . . .	<b>122</b>

Please be aware that important notices concerning this document and the product(s) described herein, have been included in section 'Legal information'.

© NXP Semiconductors N.V. 2015.

All rights reserved.

For more information, please visit: <http://www.nxp.com>

For sales office addresses, please send an email to: [salesaddresses@nxp.com](mailto:salesaddresses@nxp.com)

Date of release: 16 October 2015

Document identifier: LPC178X\_7X